

**A**



1



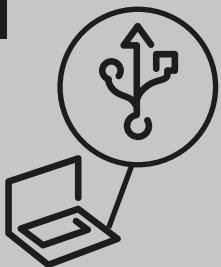
1. Download **EffiClima** software from **Schneider Electric** web page.

2




1. Run the setup file to install **EffiClima** software.
2. Follow the instructions to complete the installation.

**B**




1



1. Launch **EffiClima** software.
2. Once **EffiClima** software has been installed, connect the device via USB interface. Following detection by the PC, the device icon will appear in the main **EffiClima** window : 
3. If the device icon does not appear, ensure the device is properly connected to the USB port and go to **Devices > Detect Device** from the main menu.

2




1. Right-click on the device icon in the main **EffiClima** window and select **Setup** from the context menu to launch the Setup window.
2. In the **Properties** tab, configure the relevant parameters e.g. sampling rate, temperature scale, operation options, cyclic mode, unit comment, etc.
3. In the **Sensors** tab, if the device must be configured with alarm levels, select the alarm checkbox and enter the specific Low and High alarm values.
4. From any tabs, click **Setup and Run** to start logging or **Setup** to run the device later. The device icon will appear as follows when in Run mode : 
5. To stop the device when connected to the computer, right-click the device icon and select **Stop** from the context menu.



This technical instruction is available in other languages. Please check the **Schneider Electric** web page.

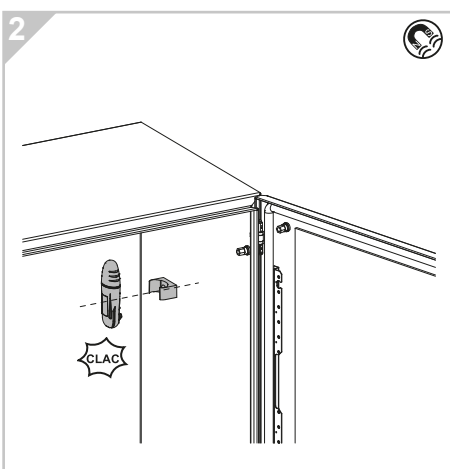
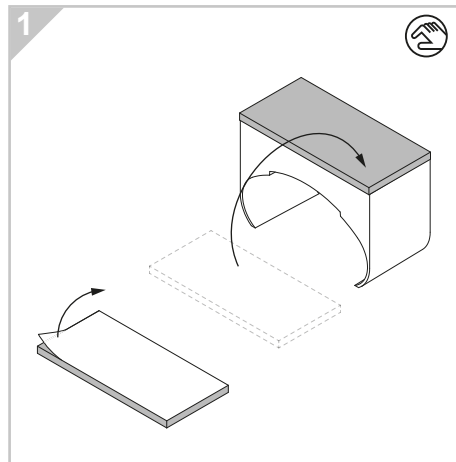
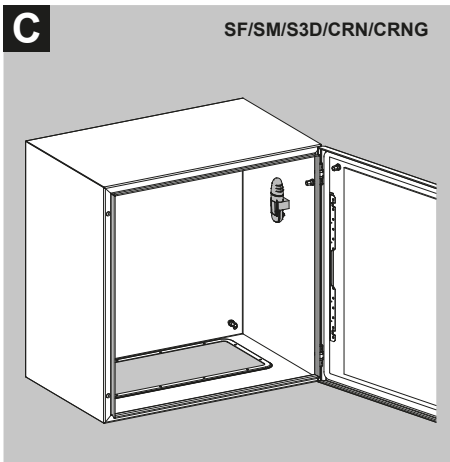


1. Connect **DTT or DTH** logger to the computer. The device is immediately detected and data download begins automatically, as indicated by this icon: 
2. To manually download data, right-click the device icon and select **Download Data**.
3. View the downloaded data by double-clicking the device icon. The online Graph window opens, from which you can also display data in Table or Statistics views.
4. To open archived data, go to **File > Open**, select the relevant devices from the list, use the calendar to select the data set and click **OK**.

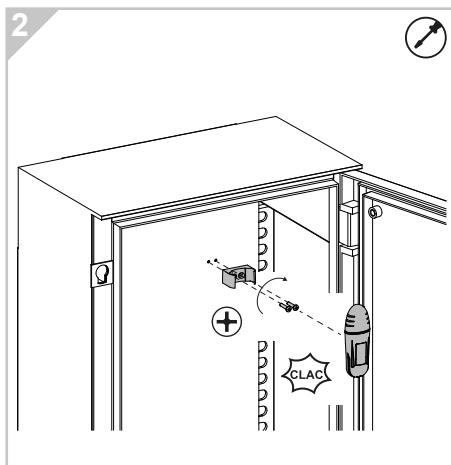
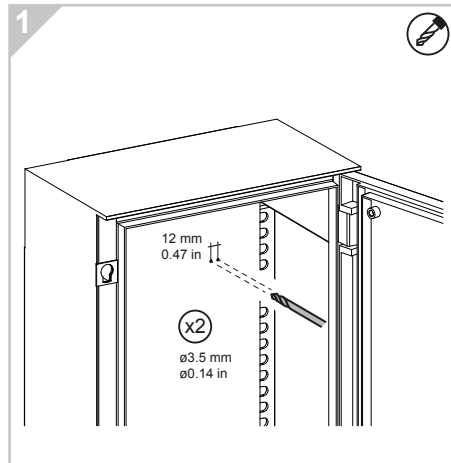
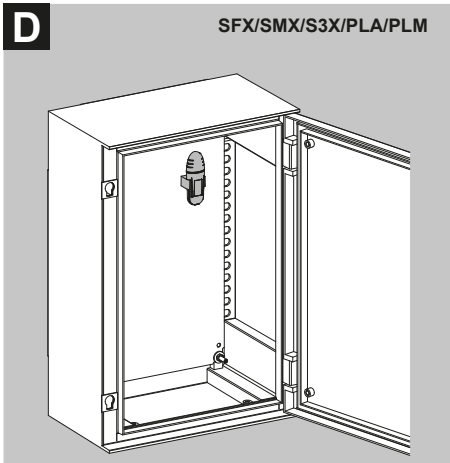


### DTT & DTH Devices Working Modes

- **STOP** : DTT & DTH devices are idle and not recording. When stopping, the device immediately ceases to record data, displaying STOP on the LCD.  
To stop the device directly from the unit, select the *Stop on key press* option in the device Setup window in **EffiClima**. While the device is running, place the magnet key in the magnet holder for at least 15 seconds. The device will then stop sampling.
- **RUN** : DTT or DTH device is recording data. It will stop recording automatically when its memory has reached full capacity (32,000 samples). When full the LCD displays FULL.
- **CYCLIC RUN** : Similar to Run mode, but DTT or DTH device will continuously sample data, recording over old data when the memory reaches its capacity, beginning with the earliest data recording. Cyclic Run mode must be selected from the device Setup window in **EffiClima**.
- **TIMER RUN** : DTT or DTH device can be configured to start recording at a predetermined time. When DTT or DTH device is set to Timer Run, the device LCD displays tRUN.
- **PUSH TO RUN** : DTT or DTH device will only begin logging data when the user operates the device's reed switch with the device magnet key. The device LCD displays PUSH following software configuration.



	NSYDTEF32T	NSYDTEF32TRH
Range	-40 to +80 °C	T: -40 to +80 °C RH: 5 to 95 %
Accuracy	± 0.3 °C	T: ± 0.3 °C RH: ± 2 %
Resolution	0.03 °C	T: 0.01 °C RH: 0.05 %
Dew Point	NO	YES
Sampling Memory	32000	32000 (16K per channel)
Sampling Rate	Once per second / once every 18 hours	
Battery Type	CR2032 3V	
Operating Environment	-40 to +80 °C	
Dimensions	111 x 39 x 26 mm	111 x 39 x 30 mm
Weight	45.5 gr	
Standard Compliance	CE, EN12830, IP67	CE, EN12830, IP54



## ⚠ CAUTION

### HAZARD OF EQUIPMENT DAMAGE

Respect the information provided in the instruction to ensure the functioning of the product.

**Failure to follow these instructions can result in injury or equipment damage.**

Schneider Electric Industries SAS  
35, rue Joseph Monier  
CS 30323  
F - 92506 Rueil Malmaison Cedex

[www.schneider-electric.com](http://www.schneider-electric.com)

NVE5647501-01



**Ce produit doit être installé, raccordé et utilisé en respectant les normes et/ou les règlements d'installation en vigueur.**  
En raison de l'évolution des normes et du matériel, les caractéristiques et cotes d'encombrement données ne nous engageant qu'après confirmation par nos services.

**This product must be installed, connected and used in compliance with prevailing standards and/or installation regulations.**  
As standards, specifications and designs change from time to time, always ask for confirmation of the information given in this publication.