

Thank you for choosing **Schneider Electric** AvatarOn series products. To ensure proper application of our product, please read through the following information before installation and use.

#### This application guide applies to the following products.

(Notes:suffix\_WE/WG/GH/LW/WWD/ST\_C5/G2 etc. mean the colors and sales areas)

Cat. No.	Description
E8315TSU	10A 250VAC 1 Gang international socket with USB and switch

#### SPECIFICATIONS

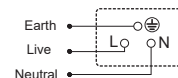
USB rated input	:220-250V~, 50/60 Hz, 0.45A
USB Output	:5V $\overline{\text{---}}$ 2.1A Max
USB Protection	:Over heat,output over current, output over voltage,output short circuit
Socket rated voltage	:250V~
Socket rated current	:10A
Mounting centre	:60.3mm
Operation Temperature	:0-40°C

#### IMPORTANT NOTE

1. The products must be installed by qualified electricians.
2. Please check your local wiring regulations before installation.
3. This permanently connected equipment does not contain internal disconnected device, a readily accessible disconnected device should be provided externally.
4. This product can only be applied at altitudes below 2000 m.
5. Please install with a British Standard wall box of 47mm depth to aid correct operation of the product. The product should be mounted on concrete or other non-combustible surfaces only.
6. Please shield / mask the product before renovation to avoid contamination and degradation.
7. Please keep the front cover safe in order to prevent damages before and during installation.
8. If the product is not firmly fixed, it may cause electric shock.
9. Turn off the power supply when cleaning the product. Use a piece of soft and dry cloth to wipe off the dirt and contamination on the surface. Do NOT use corrosive chemicals.
10. Before charging with the product, please ensure the battery of your device is complied with Battery Charging Specification. Do not use multi-adaptors. Reserve charging is not allowed.

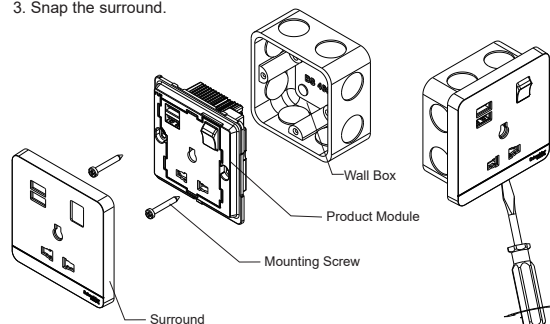
11. The charging time depends on the supported charging protocol, power, battery capacity, charging line quality and other factors decided by the charged device itself
12. Do not insert foreign objects (e.g. small metal wires, paper clips, liquids, etc.) into USB charger
13. User will feel some heat at the product surface when charging is in progress
14. Indoor use only

#### WIRING DIAGRAMS



#### MOUNTING INSTRUCTION

1. Connect the wires to the terminals (recommend to leave 10-12mm bare metal wire) and tighten the terminal screws.
2. Screw the product module onto the wall box.
3. Snap the surround.



Insert a screwdriver into the clip lock, and twist the screwdriver to remove the surround.