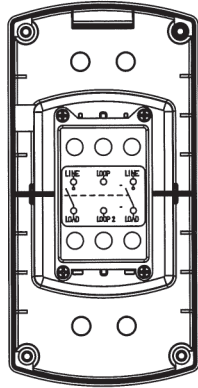


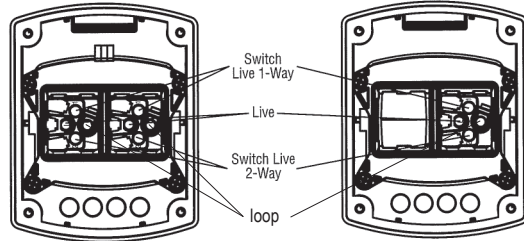
Single Pole Isolator

CSS116
 CSS120
 CSS120N
 CSS132
 CSS140



Double Pole Isolator

CSS220
 CSS220N
 CSS232
 CSS240

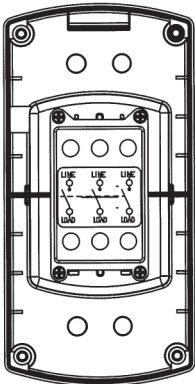


**Single Pole 2 Gang
 1/2 Way Switch**

CSW110/2
 CSW110/2N
 CSW120/2
 CSW120/2N

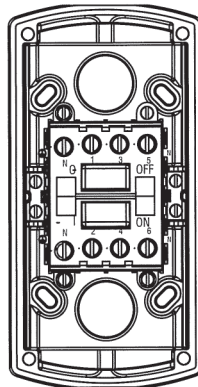
**Single Pole 1 Gang
 1/2 Way Switch**

CSW110
 CSW110BPR
 CSW110N
 CSW120
 CSW120N



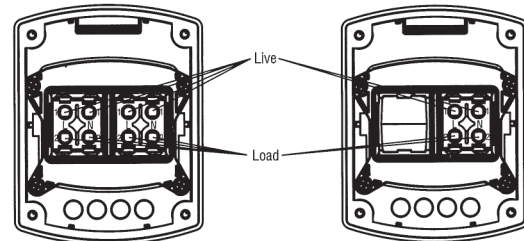
Triple Pole Isolator

CSS316N CSS320
 CSS320N CSS332
 CSS332N CSS340
 CSS340N



Four Pole Isolator

CSS440



**Double Pole
 2 Gang Switch**

CSW220/2
 CSW220/2N

**Double Pole
 1 Gang Switch**

CSW220
 CSW220N



INSTALLATION GUIDE Surface Mount Switch Isolators and Surface Mount Switches

CAT. NO.

CSS116	CSS120	CSS120N
CSS132	CSS140	CSS220
CSS220N	CSS232	CSS240
CSS316N	CSS320	CSS320N
CSS332	CSS332N	CSS340
CSS340N	CSS440	CSW110
CSW110/2	CSW110/2N	CSW110BPR
CSW110N	CSW120	CSW120/2
CSW120/2N	CSW120N	CSW220
CSW220/2	CSW220/2N	CSW220N

Kavacha

Thank you for choosing **Schneider Electric Kavacha AS** Surface Mount Switch Isolators and Surface Mount Switches. To ensure proper application of our product, please read the following information before installation.

This installation guide applies to the following products:

Cat.no.	Description
CSS116	250V 16A Single Pole Isolator
CSS120	250V 20A Single Pole Isolator
CSS120N	250V 20A Single Pole Isolator with Neon
CSS132	250V 32A Single Pole Isolator
CSS140	250V 40A Single Pole Isolator
CSS220	500V 20A Double Pole Isolator
CSS220N	500V 20A Double Pole Isolator with Neon
CSS232	500V 32A Double Pole Isolator
CSS240	500V 40A Double Pole Isolator
CSS316N	500V 16A Triple Pole Isolator with Neon
CSS320	500V 20A Triple Pole Isolator
CSS320N	500V 20A Triple Pole Isolator with Neon
CSS332	500V 32A Triple Pole Isolator
CSS332N	500V 32A Triple Pole Isolator with Neon
CSS340	500V 40A Triple Pole Isolator
CSS340N	500V 40A Triple Pole Isolator with Neon
CSS440	415V 40A Four Pole Isolator

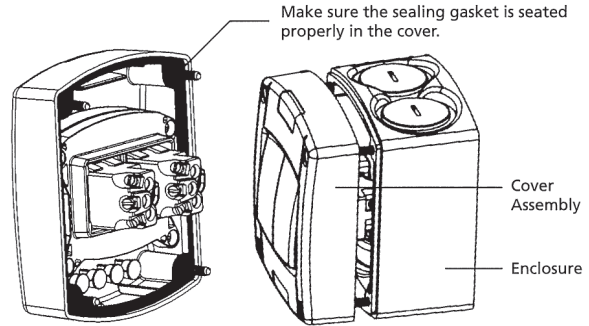
Cat.no.	Description
CSW110	250V 10AX 1 Gang 2 Way Switch
CSW110/2	250V 10AX 2 Gang 2 Way Switch
CSW110/2N	250V 10AX 2 Gang 2 Way Switch with Neon
CSW110BPR	250V 10AX 1 Gang 2 Way Bell Press Return Switch
CSW110N	250V 10AX 1 Gang 2 Way Switch with Neon
CSW120	250V 20/16AX 1 Gang 2 Way Switch
CSW120/2	250V 20/16AX 2 Gang 2 Way Switch
CSW120/2N	250V 20/16AX 2 Gang 2 Way Switch with Neon
CSW120N	250V 20/16AX 1 Gang 2 Way Switch with Neon
CSW220	250V 20A 1 Gang Double Pole Switch
CSW220/2	250V 20A 2 Gang Double Pole Switch
CSW220/2N	250V 20A 2 Gang Double Pole Switch with Neon
CSW220N	250V 20A 2 Gang Double Pole Switch with Neon

SPECIFICATIONS

Self ballasted lamp(SBL) Load : 250W (CSW120 , CSW120/2 For 20A) ;
200W (CSW120 , CSW120/2 For 16A) ;

INSTALLATION INSTRUCTIONS

All products listed should be installed by a suitably qualified person in accordance with relevant building codes and standards. Disconnect power supply before making any electrical connections. Remove the cable entry knockout or plug(s) from the enclosure as required. Fit rubber gasket inside lid. Secure the back box to the fixing surface ensuring cable of appropriate type and diameter is used.



IMPORTANT NOTE

1. The product must be installed by a qualified electrician.
2. Please check your local wiring regulations before installation.
3. Turn off the power supply when cleaning the product. Use a piece of soft and dry cloth to wipe off the dirt and contamination on the surface. Do NOT use corrosive chemicals.
4. Shield / mask the product before renovation to avoid contamination and degradation.
5. Make sure the cover to be installed properly, otherwise may void IP rating.