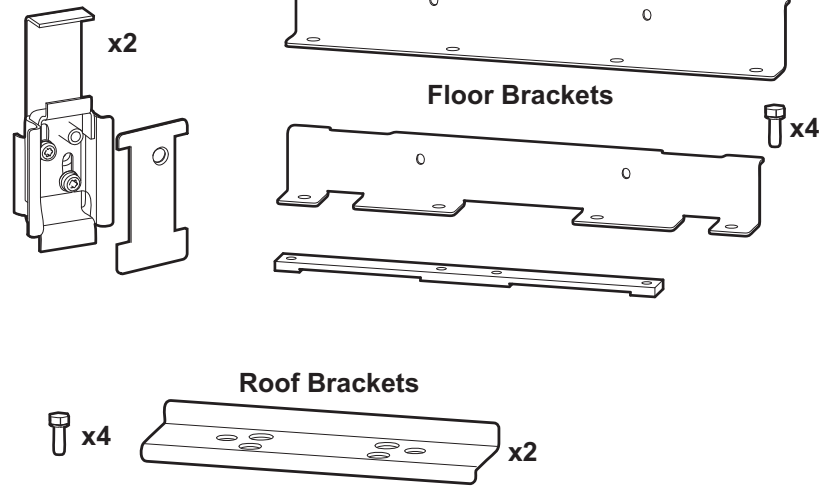


Schneider Electric Installation Seismic Stability Kit

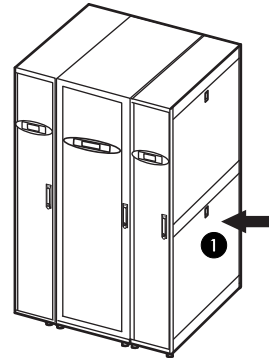
PDPM144F, PDPM277H, PDPM288G6H

Side Panel Locks



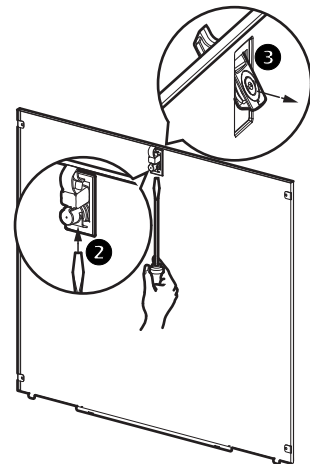
Seismic side panel locks

- 1 Remove the side panels from the end of row cabinets.

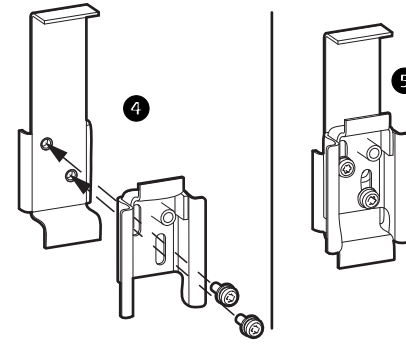


- 2 Remove the standard lock. Use a screwdriver to press on the tab that secures the lock to the side panel.

- 3 Pull the lock out and up and remove it from the side panel.

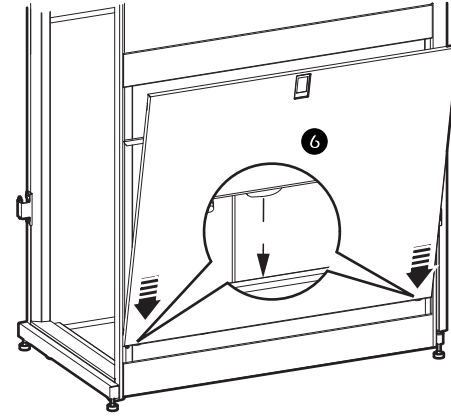


- 4 Install the seismic lock. Put the two parts together.

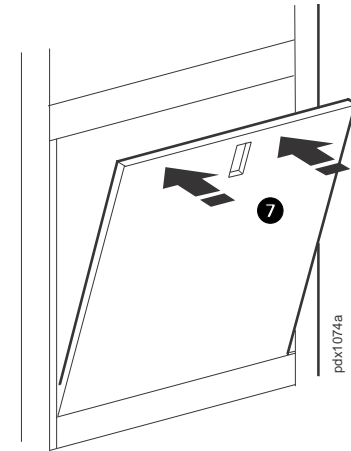


- 5 Loosely tighten the screws.

- 6 Place the side panel at an angle at the bottom of the frame.

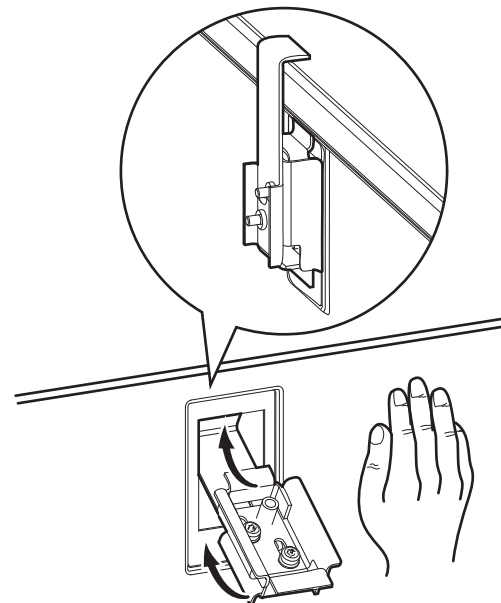


- 7 Push the top of the side panel in place.



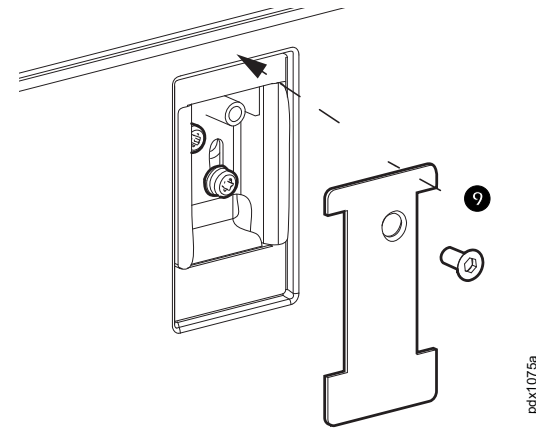
- 8 Hold the side panel with one hand. Take the lock assembly and guide the top through the hole in the side panel. Lift the lock assembly in place.

Ensure that the upper and lower tabs are hidden behind the side panel.



- 9 Secure the two screws in the lock assembly.

Install the lock cover using the provided screw.



4/2015

990-5428

© 2015 Schneider Electric. All rights reserved.

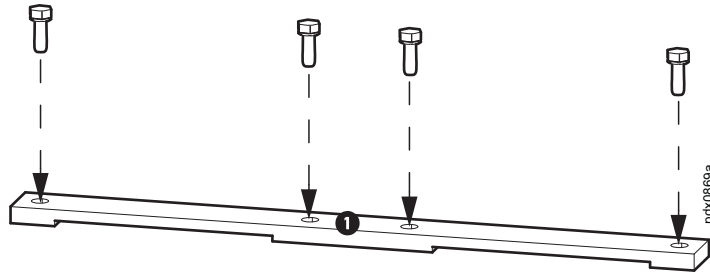
Customer support and warranty information is available at www.schneider-electric.com

Worldwide Customer Support

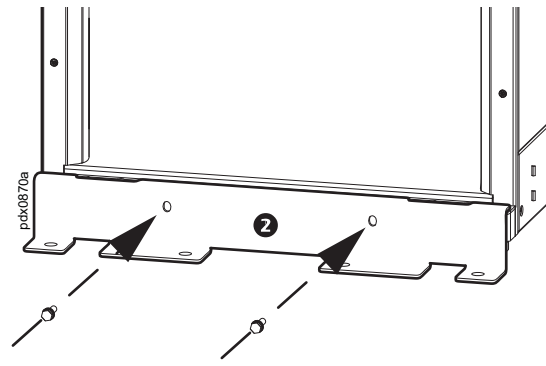
Floor brackets

Install rear anchoring brackets

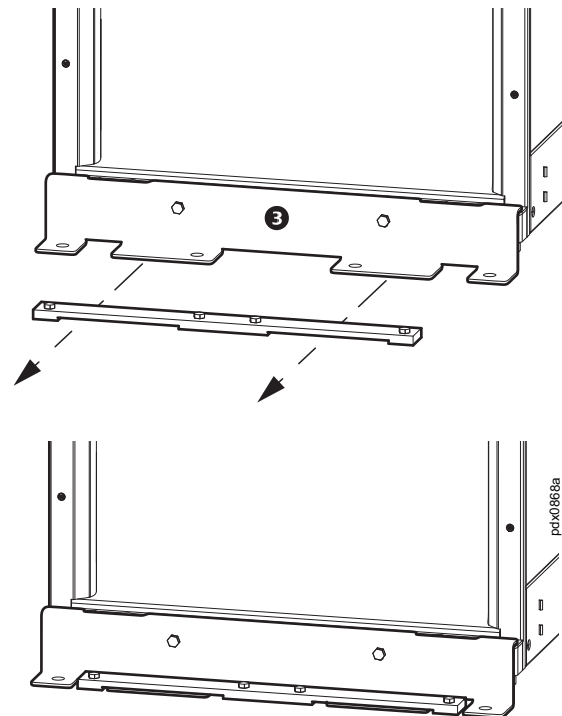
- 1 Secure the floor anchoring bracket to the floor using floor anchoring bolts (not supplied). Use M12 strength class 8.8 or 1/2 inch, grade 5 steel bolts.



- 2 Secure the other half of the bracket assembly to the back of the unit.

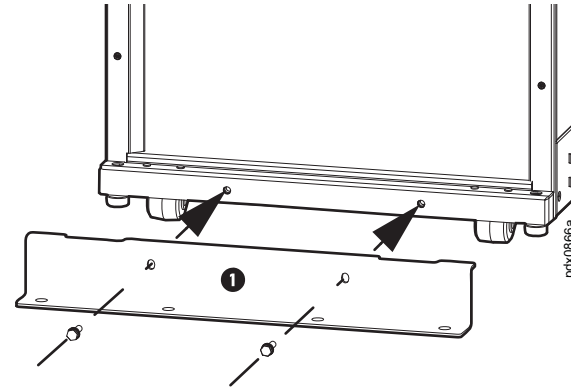


- 3 Push the PDU to slide the tabs on the bracket mounted to the PDU under the bracket bolted to the floor.

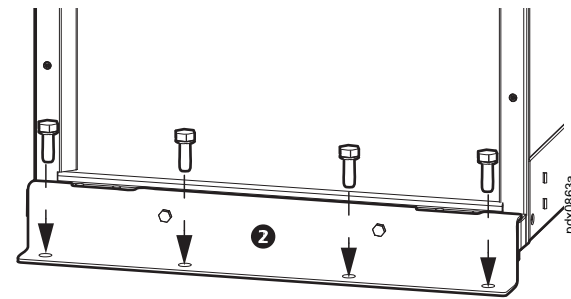


Install front anchoring bracket

- 1 Secure the front anchoring bracket to the enclosure.

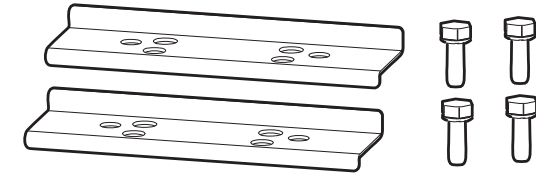


- 2 Secure the front anchoring bracket to the floor using floor anchoring bolts (not supplied). Use M12 strength class 8.8 or 1/2 inch, grade 5 steel bolts.



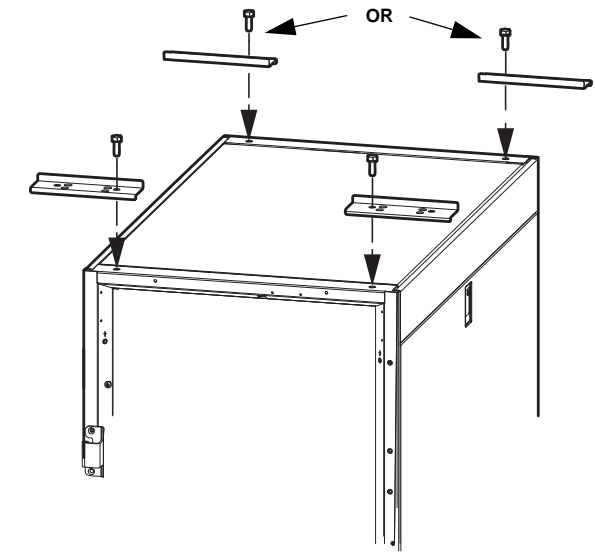
Roof stability brackets

Contents of the top stability kit:



- two brackets
- four screws

One top assembly bracket is attached at the front and one at the back over two adjacent cabinets. Secure with the four screws (included).



Roof brackets can be mounted on either side.