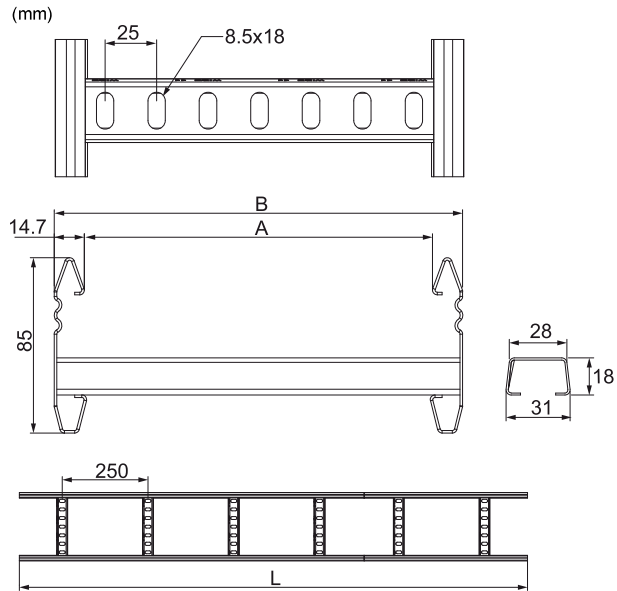


P151362

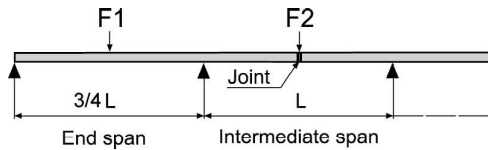


KHZSP85



Type	L m	A mm	B mm
KHZSP 85-200	3m/6m	169.2	198.5
KHZSP 85-300	3m/6m	269.2	298.5
KHZSP 85-400	3m/6m	369.2	398.5
KHZSP 85-500	3m/6m	469.2	498.5
KHZSP 85-600	3m/6m	569.2	598.5

Test model II



Loadings

The ladder is tested according to IEC 61537, chapter 10.3.2 Test type II with reduced end span, $3/4 \times L$ with a joint in the intermediate span (F_2), as worst case.

Guaranteed load

SE declares to guaranty the SWL and the consequence safety factor of 1,7 times under the following conditions:

- There shall be no joints in the end span.
- The end span shall be reduced at $3/4$ ladder length
- Load shall be uniformly distributed.

The cable ladders must not be used as walkways.

