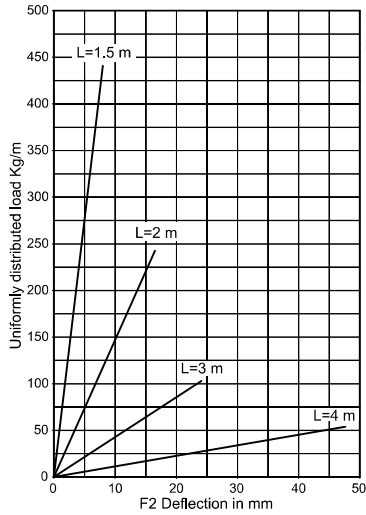
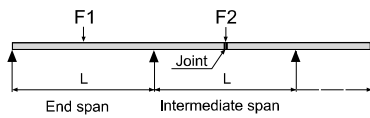


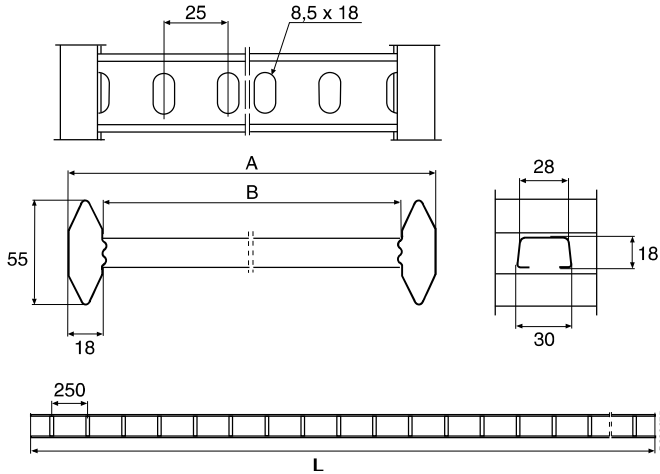
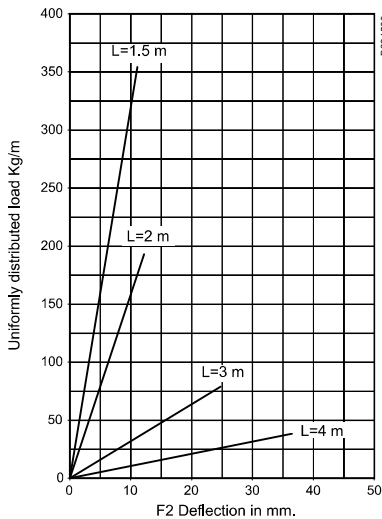
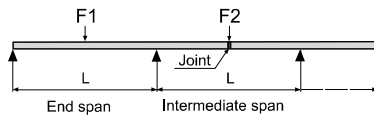
KHZP / KHZPS



KHZP Test model II



KHZPS Test model II



Type	L m	A mm	B mm
KHZP/KHZPS 150	6	147	111
KHZP/KHZPS 200	6	197	161
KHZP/KHZPS 300	6	297	261
KHZP/KHZPS 400	6	397	361
KHZP/KHZPS 500	6	497	461
KHZP/KHZPS 600	6	597	561
KHZP/KHZPS 800	6	797	761
KHZP/KHZPS 1000	6	997	961
KHZP 150	3	147	111
KHZP 200	3	197	161
KHZP 300	3	297	261
KHZP 400	3	397	361
KHZP 500	3	497	461
KHZP 600	3	597	561
KHZP 800	3	797	761
KHZP 1000	3	997	961

Loadings

The ladders are tested according to IEC 61537, test model II - a joint in the intermediate span (F2).

Guaranteed load

Guaranteed uniformly distributed load includes a minimum safety factor of 1.7 towards rupture. The diagrams shows the deflection with Joint 21 for all ladder widths.

The cable ladders must not be used as walkways.