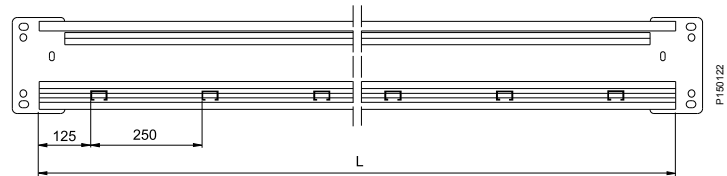
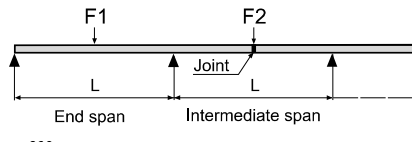
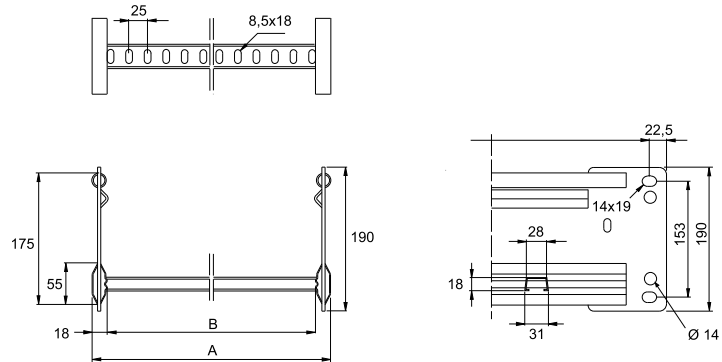


KHZP-20C

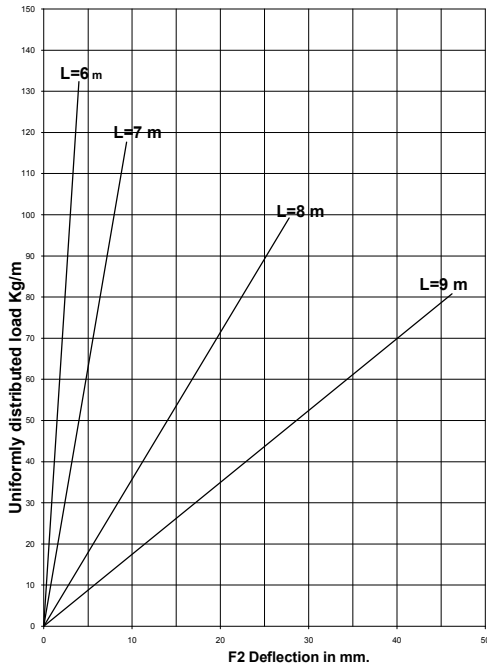


P143117



Test model II

SWL (Safe working load) KHZP 20C-200-1000



Type	L m	A mm	B mm
KHZP 20C-200	6	197	161
KHZP 20C-300	6	297	261
KHZP 20C-400	6	397	361
KHZP 20C-500	6	497	461
KHZP 20C-600	6	597	561
KHZP 20C-800	6	797	761
KHZP 20C-1000	6	997	961

To be able to take the load requirements the system shall be supported close to all transition points like Bends, T-junctions, Risers, Take-off hooks, Angle plates and Couplers.

Loadings IEC 61537

The ladders are tested according to IEC 61537, test model II.

Guaranteed load

Guaranteed uniformly distributed load supported includes a minimum safety factor of 1.7 towards rupture. The diagram shows the deflection for ladder widths.

Loadings according NEMA V1 20C

Test result at 6 meter support distance 173 kg/m (safety factor of 1.5).

The cable ladders must not be used as walkways.