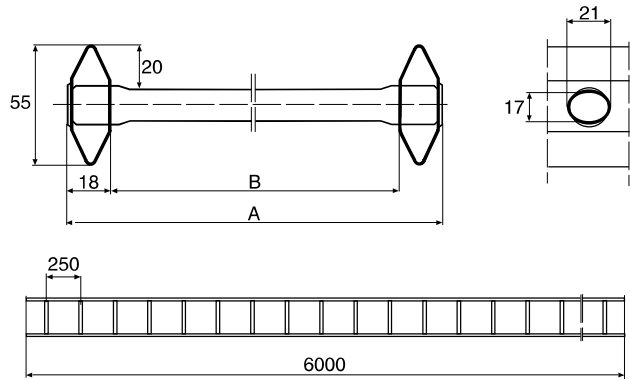




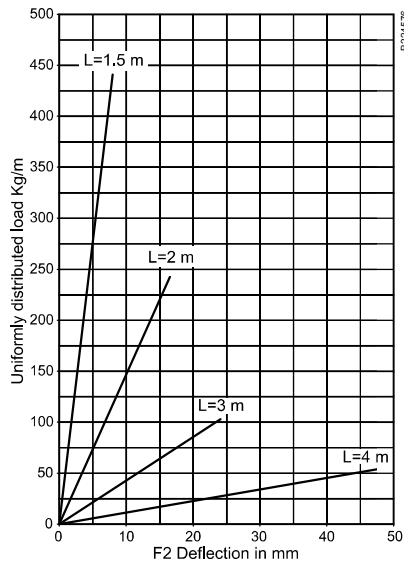
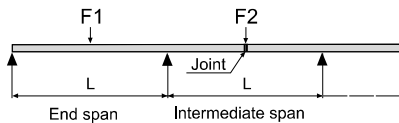
KHZ closed

KHZ



| Type | L m | A mm | B mm |
|---------|--------|---------|---------|
| KHZ 150 | 6 | 147 | 111 |
| KHZ 200 | 6 | 197 | 161 |
| KHZ 300 | 6 | 297 | 261 |
| KHZ 400 | 6 | 397 | 361 |
| KHZ 500 | 6 | 497 | 461 |
| KHZ 600 | 6 | 597 | 561 |

Test model II



Loadings

The ladders are tested according to IEC 61537, test model II - a joint in the intermediate span (F2).

Guaranteed load

Guaranteed uniformly distributed load includes a minimum safety factor of 1.7 towards rupture. The diagrams show the deflection with Joint 21 for cable ladder widths up to 600 mm. For widths greater than 600 mm contact Schneider Electric or distributor.

The cable ladders must not be used as walkways.