






## Application Guide Hotel SKUs

**CAT. NO.**  
E3030VDM  
E3031VBPD  
E3031VBPM  
E3031VBPDM

# NEO C-Metro

Thank you for using **Schneider Electric** NEO C-Metro Hotel SKUs. To ensure proper application of our product, please read the following information before installation and use.

**This application guide applies to the following switches:**

	Cat. no.	Description
	E3030VDM	Illuminated "Do Not Disturb" & "Please Clean Up" Symbols
	E3031VBPD	4A Bell Push Switch with Illuminated "Do Not Disturb" Symbol
	E3031VBPM	4A Bell Push Switch with Illuminated "Please Clean Up" Symbol



E3031VBPDM 4A Bell Push Switch with Illuminated "Do Not Disturb" & "Please Clean Up" Symbols

## FEATURES

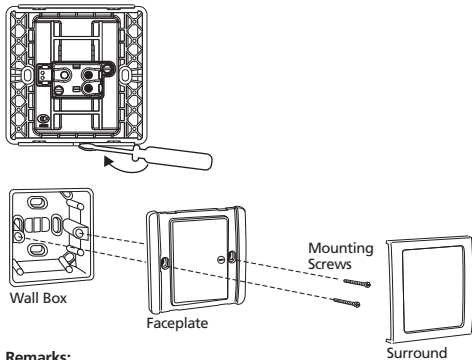
1. Distinctive and superior dolly switch design.
2. Built-in LED as the symbol indicator. It replaces neon, consumes less power and provides a soothing lighting effect.
3. Red LED is used for "Do Not Disturb" and green LED for "Please Clean Up"
4. Bell push dolly with fluorescent indicator for night orientation.
5. Slim and stylish flush plate finishing with cross-type structural support to provide extra rigidity.

## SPECIFICATIONS

Voltage	:	250VAC
Dimension	:	87mm X 87mm
Mounting Centre	:	60.3mm
Compliance	:	IEC60669-1, BSEN60669-1, GB16915.1 (for E3031VBPD, E3031VBPM, E3031VBPDM),BS5733(for E3030VDM)

## MOUNTING INSTRUCTION

Please refer to the following diagram for proper installation of the faceplate and surround.



### Remarks:

For surround mounting, align the clip locks on the faceplate and press firmly on the surround. Complete engagement of the clip lock is indicated by a clear "click" sound.

## IMPORTANT NOTE

If the E3031VBPM and E3031VBPD are controlled by normal switches with indicators, the connection mode of indicators should be changed:

- 1 way switch: connect L & Load (default mode when leave factory)  
connect Load & N (when application);
- 2 way switch: connect L1 & L2 (default mode when leave factory)  
connect L1/L2 & N (when application).

## WIRING DIAGRAM

