

AV-821 Adapter Kit

Schneider Electric SpaceLogic U-Bolt Style Actuators to 1/2 to 2" VB-7xxx Series Valves

Application

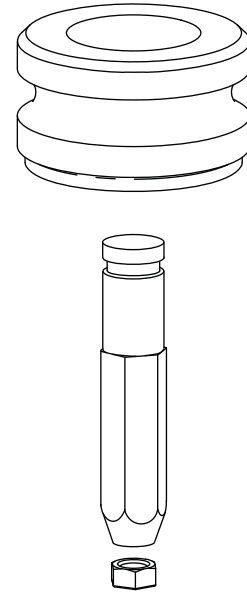
The AV-821 adapter kit enables mounting of Schneider Electric M400, M800, M900, and M1500 U-Bolt style series actuators to Schneider Electric VB-7xxx series valves.

▼ **WARNING**

- Depressurize the valve before removing the existing actuator and linkage and check integrity of the valve stem and plug by moving the stem up and down. If the valve stem and plug have been damaged, stem may blow out under pressure and cause injury and equipment damage.

▼ **CAUTION**

Do not remove the packing cap from the valve.



Applicable Literature

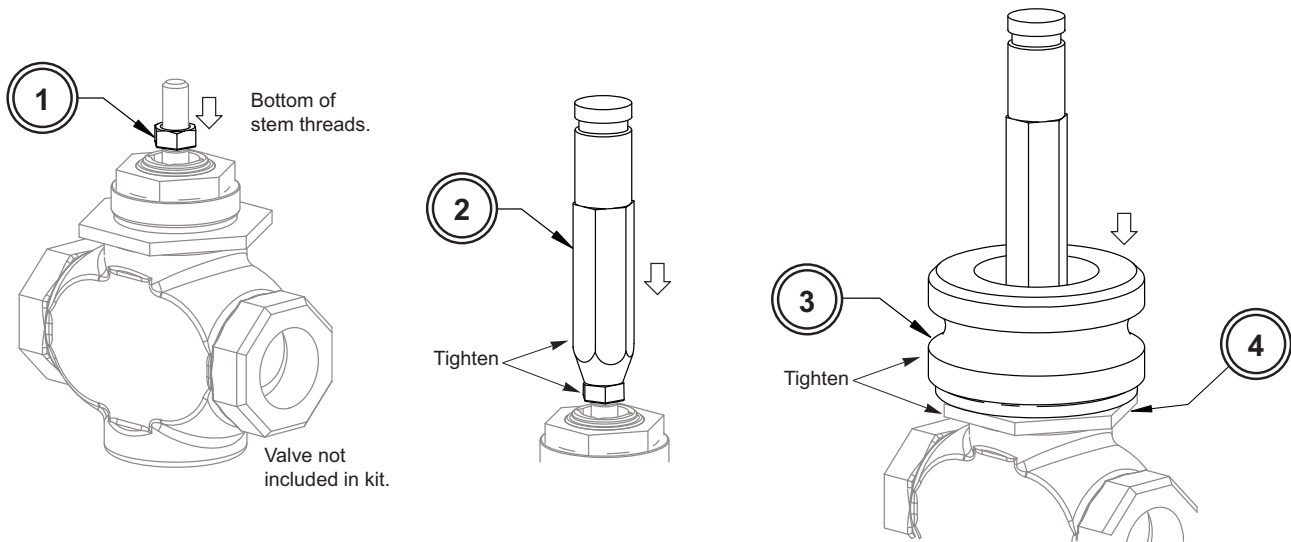
- *EU Catalog F-27878*
- *M400A, M800A, M1500A Non-Spring Return Globe Valves Actuator General Instructions, F-27599*
- *M900Ax Spring Return Globe Valve Actuator Installation Instructions, F-27683*

Tools Needed

- 5/16" wrench or TOOL-20-1
- 7/16" wrench
- M-370 wrench

Installation

Remove the AV-821 components from the bag and install the jam nut (1) all the way to the bottom of the stem threads. Install the stem adapter (2) until it makes contact with the jam nut and tighten using 5/16" wrench (or TOOL-20-1) and 7/16" wrench. Install the bonnet adapter (3) to the valve nut. Firmly hold the bonnet adapter and tighten the valve nut (4) with the M-370 wrench.



After the AV-821 adapter is installed, install the selected actuator and linkage (if required) according to the actuator installation instructions.