

AV-816

Adapter Kit for Schneider Electric Actuators to Siemens 591 Series 3/4 and 1" 2-Way, and 1¼...2" 3-Way Valves

Application

The AV-816 adapter kit enables mounting of Schneider Electric pneumatic, Forta and SmartX actuators onto Siemens 591 Series 3/4 and 1" two-way with 3/4" stroke. 1-1/4 to 2" three-way globe valves with 5/16" stroke may use Schneider Electric pneumatic or SmartX actuators with the appropriate Schneider Electric actuator linkage.

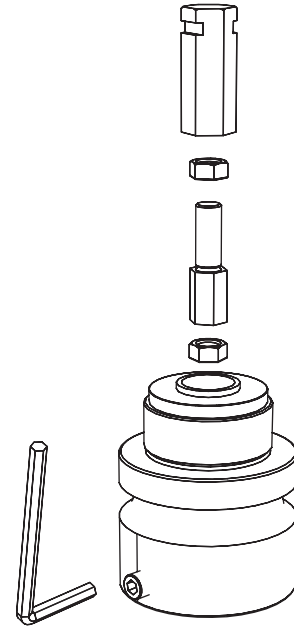
Consult the AV-8xx Competitive Globe Valve Adapters Selection Guide, F-27470, for recommended Schneider Electric actuators.

Notice

- The AV-816 adapter kit is to be used only with the Schneider Electric actuators shown in the AV-8xx Series Competitive Globe Valve Adapters Selection Guide, F-27470. The use of other actuators is not acceptable due to actuator stroke and valve stem force limitations.
- Depressurize the valve before removing the existing actuator and linkage and check integrity of the valve stem and plug by moving the stem up and down. If the valve stem and plug have been damaged, stem may blow out under pressure and cause injury and equipment damage. Do not use with 1¼ ...2" straight through bronze bodied 250 pound class valves.
- Do not remove the packing cap from the valve.
- This kit is for ¼-28 threaded valve stems only.

Applicable Literature

- Electric-Electronic Products Catalog, F-27382
- Pneumatic Products Catalog, F-27383
- AV-8xx Competitive Globe Valve Adapters Selection Guide, F-27470
- MK-2690 Installation Instructions, F-13893
- MK46xx Installation Instructions, F-13894
- MK-68xx Installation Instructions, F-13895
- Mx51-710x Installation Instructions, F-27169
- Mxx1-72xx Installation Instructions, F-27120
- AV-401 Installation Instructions, F-25586
- AV-7400 Installation Instructions, F-26236
- AV-430 Installation Instructions, F-19072
- AV-7800 Installation Instructions, F-27432
- AK-42309-500 Installation Instructions, F-22909
- Schneider Electric Forta M400A,/M800A Installation Instructions, DIM119E (F-27506)



Tools Needed

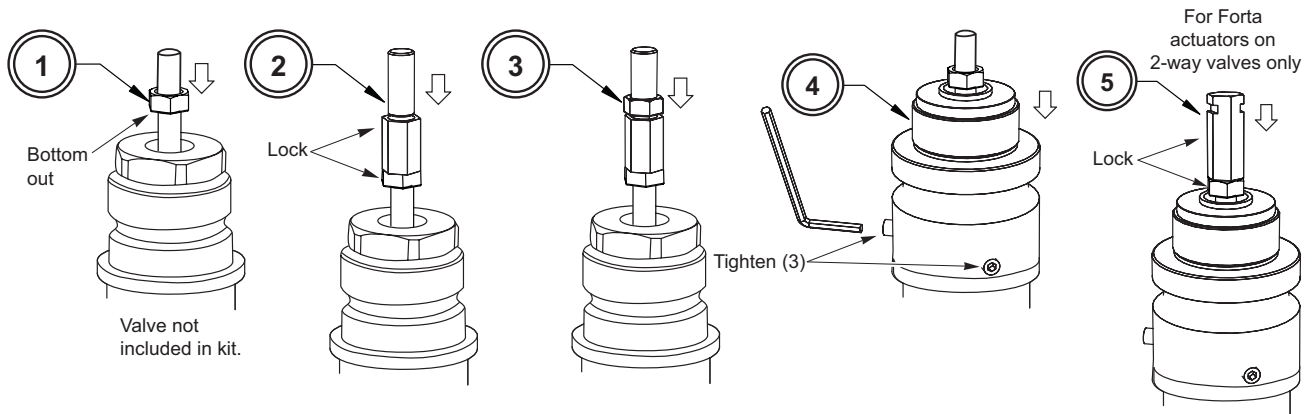
- TOOL-118 hex wrench (provided)
- 5/16" combination wrench & 7/16" combination wrench

Assembly Instructions

Follow the steps below.

Notice

- Do not remove the packing cap from the valve.
- Confirm valve stroke and compatibility of the selected actuator and linkage.
- Schneider Electric actuator stroke must be equal to or greater than valve body stroke.



After the AV-816 adapter is installed, install the selected actuator and linkage (if required) according to the actuator installation instructions.

Maintenance Parts

All valve body maintenance parts must be obtained from the manufacturer, Siemens.

Actuator and linkage maintenance parts may be obtained from Schneider Electric.