

SpaceLogic AV-812

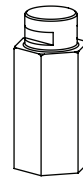
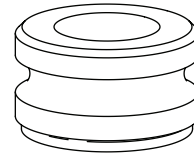
Adapter Kit SpaceLogic Actuators to 2½...6” VB-8xxx and VB-9xxx Series Valves

Application

The AV-812 adapter kit enables mounting of Schneider Electric **SpaceLogic** M1500 actuators to Schneider Electric 2-1/2 to 6” VB-8xxx series and VB-9xxx series valves.

Notice

- Depressurize the valve before removing the existing actuator and linkage and check integrity of the valve stem and plug by moving the stem up and down. If the valve stem and plug have been damaged, stem may blow out under pressure and cause injury and equipment damage.
- Do not remove the packing cap from the valve.
- For Barber-Colman 3/8” stem valves, use AV-813 adapter kit with this kit to adapt the 3/8”-24 stem threads to 1/2”-20 actuator threads.



Applicable Literature

- Valve & Actuators Catalog, F-27855
- Pneumatic Products Catalog, F-27383
- Handbook 0-004-7804

Tools Needed

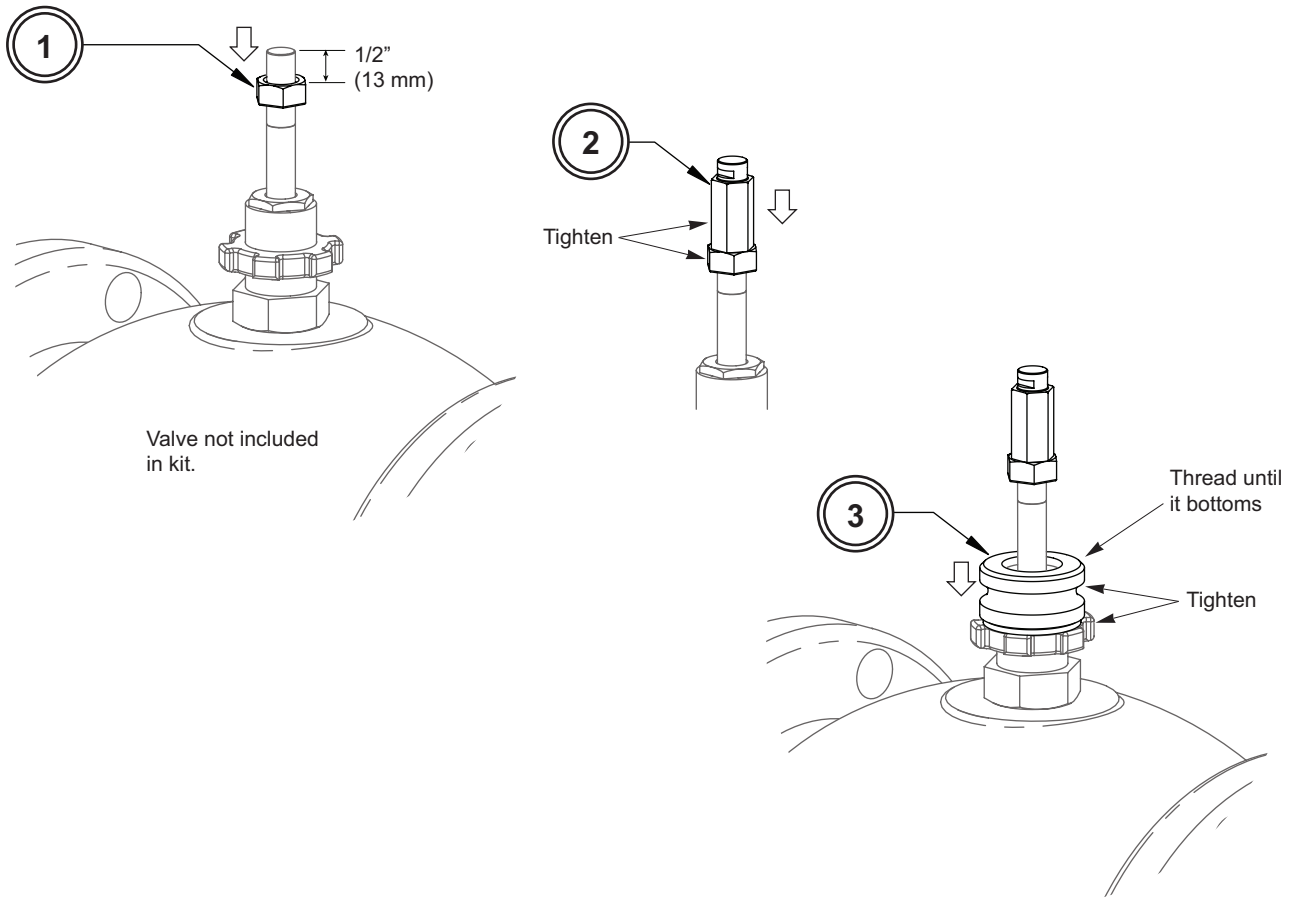
- 5/8” wrench
- 3/4” wrench
- Pipe wrench

Maintenance Parts

Actuator, linkage, and valve maintenance parts may be obtained from Schneider Electric.

Installation

Follow the steps below.



1) When tightening the stem adapter to the stem nut, use 5/16" and 3/4" wrenches. When tightening the **SpaceLogic** bonnet adapter, hold it by hand and tighten the valve nut to the adapter.

2) After the AV-812 adapter is installed, install the selected actuator and linkage (if required) according to the actuator installation instructions.