

SpaceLogic AV-811

Adapter Kit Schneider Electric **SpaceLogic** Actuators to ½...2" VB-7xxx Series Valves

Application

The AV-811 adapter kit enables mounting of Schneider Electric **SpaceLogic** M310 series, M400 series, M800 series, and M1500 actuators to Schneider Electric VB-7xxx series valves.

WARNING:

- Depressurize the valve before removing the existing actuator and linkage and check integrity of the valve stem and plug by moving the stem up and down. If the valve stem and plug have been damaged, stem may blow out under pressure and cause injury and equipment damage.

CAUTION:

Do not remove the packing cap from the valve.

Applicable Literature

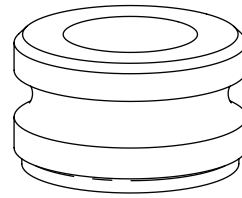
- *Valve & Actuators Catalog F-27855*
- *Handbook 0-004-7804*
- *Installation Instructions, OFL-4006*

Tools Needed

- 5/16" wrench or TOOL-20-1
- 7/16" wrench
- M-370 wrench

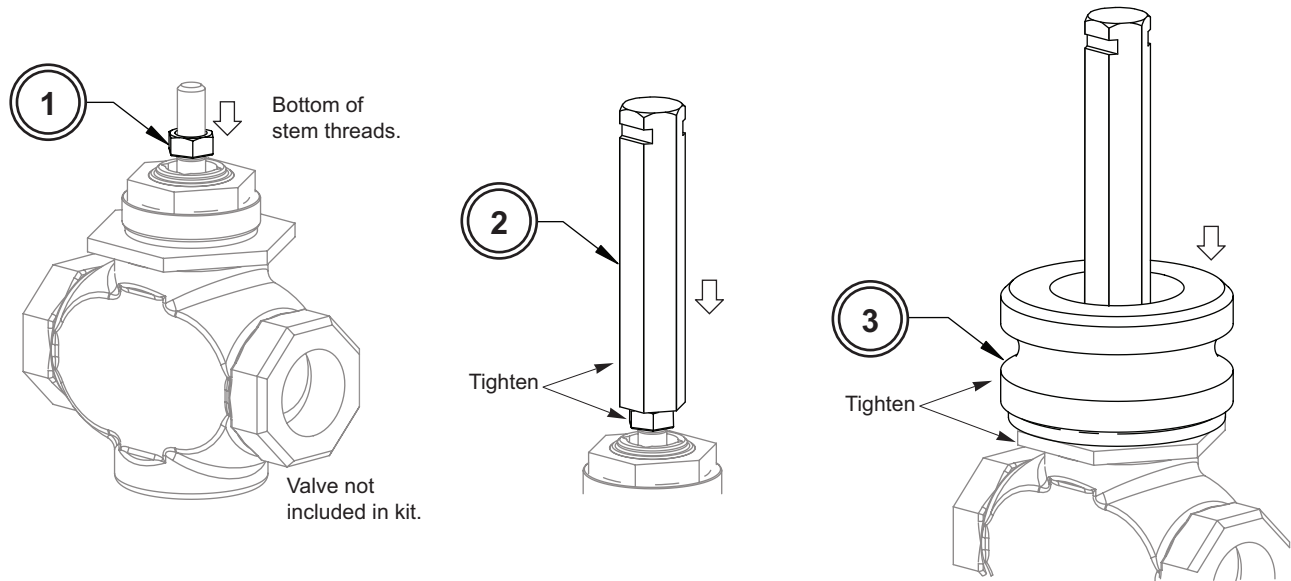
Maintenance Parts

Actuator and linkage maintenance parts may be obtained from Schneider Electric.



Installation

Remove the AV-811 components from the bag and install the jam nut (1) all the way to the bottom of the stem threads. Install the stem extension (2) until it makes contact with the jam nut and tighten using 5/16" wrench (or TOOL-20-1) and 7/16" wrench. Install the bonnet adapter (3) to the valve nut. Firmly hold the bonnet adapter and tighten the valve nut



After the AV-811 adapter is installed, install the selected actuator and linkage (if required) according to the actuator installation instructions.