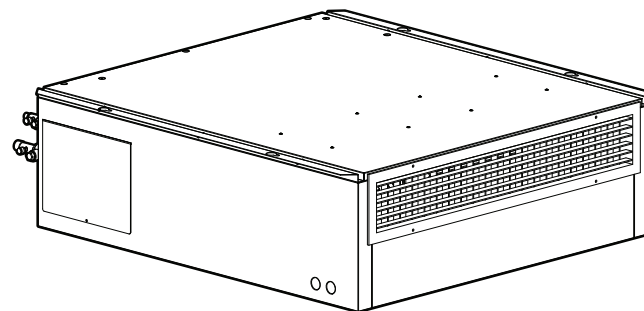




# Uniflair™ Cooling Products

## Guide for Receiving, Unpacking, and Moving



**Important.** Save these instructions. This guide contains information for receiving, unpacking, and moving the equipment.



**Recyclable materials:** The shipping materials are recyclable. Save them for later use, or dispose of them appropriately.

### Safety Information

#### ⚠ WARNING

##### HEAVY EQUIPMENT

Use at least two people when handling and installing this equipment.

**Failure to follow these instructions can result in death, serious injury, or equipment damage.**

#### ⚠ CAUTION

##### DAMAGE TO EQUIPMENT OR PERSONNEL

- Do not use piping to lift or move the unit.
- Use caution when moving the unit to its upright position to avoid damaging the mounting flanges.

**Failure to follow these instructions can result in moderate injury or equipment damage.**

### Moving the equipment



Pallet jack



Forklift



Multiple people

### Receiving

#### NOTICE

##### HAZARD TO EQUIPMENT

Do not stack anything on top of the packaged unit. Doing so can damage the unit.

**Failure to follow these instructions can result in equipment damage.**

#### NOTICE

##### HAZARD TO EQUIPMENT

Leaving the equipment uncovered and exposed to possible damage from the environment will void the factory warranty.

**Failure to follow these instructions can result in equipment damage.**

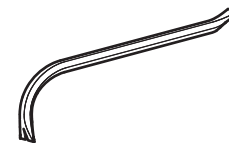
### Inspect the packaging and equipment

Before unpacking the equipment, verify that the labeled container matches the bill of lading.

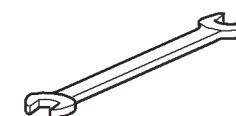
Once you have unpacked the equipment, carefully inspect its exterior.

**NOTE:** In case of shipping damage such as scratches or dents, see Worldwide Customer Support for contact information.

### Tools Required



Crowbar

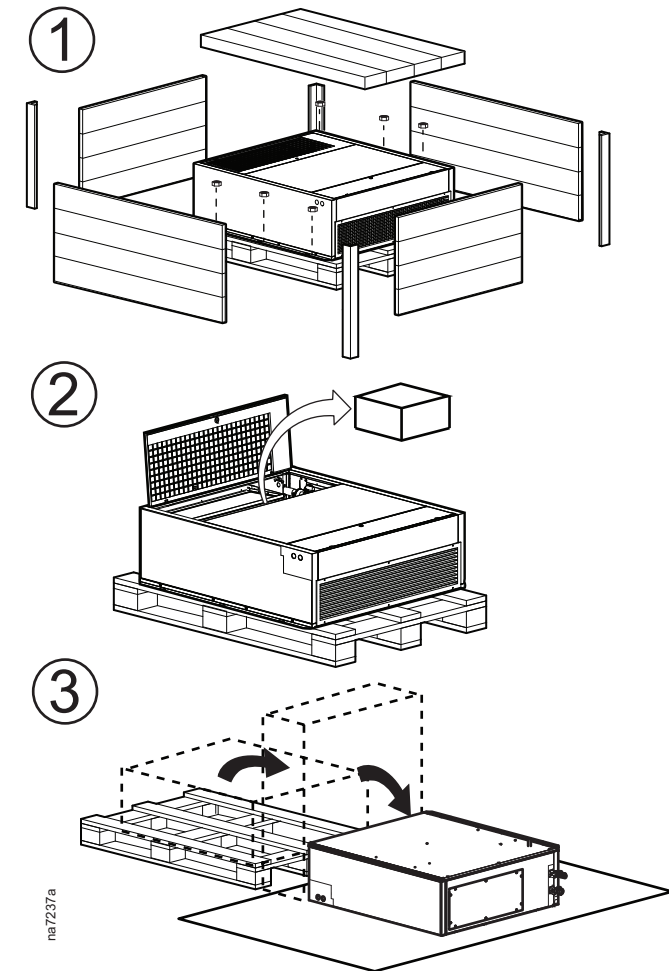


M8-bolt wrench

### Unpacking

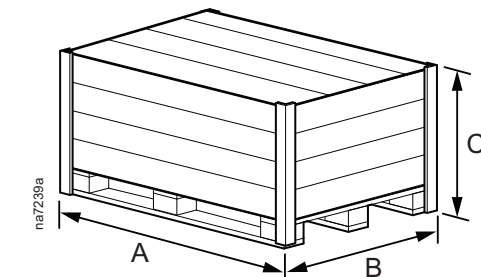
**NOTE:** When possible, leave the equipment on the pallet until you are ready to move it to its final location.

1. Remove the wooden package from around the unit and remove the bolts holding the unit the pallet.
2. Remove the temperature sensor package from the unit.
3. Put protection on the floor and turn the unit to the installation orientation by using the front of the unit.



### Weights and Dimensions

#### Packaged



Model	Dimensions – mm (in.)			Net Weight – kg (lb)
	A	B	C	
UCF0341I	1180 (46.5)	1380 (54.3)	550 (21.7)	75.0 (165.3)
UCF0481I	1380 (54.3)	1630 (64.2)	650 (25.6)	146.0 (321.9)

NOTE: Weights are approximate.

As standards, specifications, and designs change from time to time, please ask for confirmation of the information given in this publication.  
 © 2019 Schneider Electric. All Rights Reserved.  
 Uniflair and the Schneider Electric logo are trademarks owned by Schneider Electric Industries SAS, or its affiliated companies. All other trademarks are the property of their respective owners.