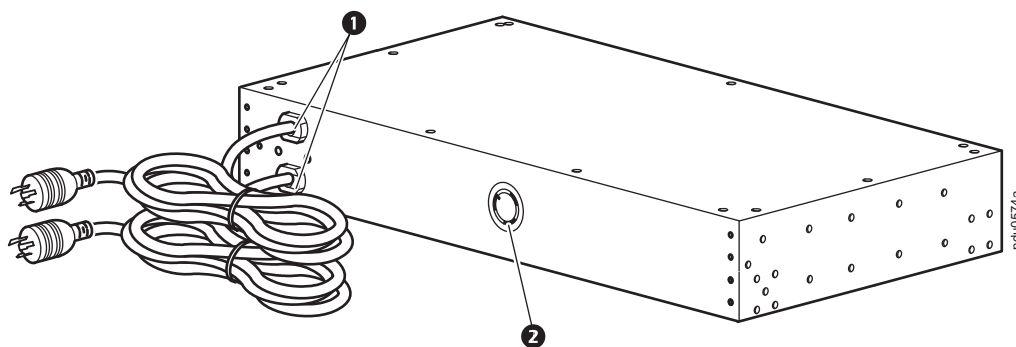


Automatic Transfer Switch (AP7731)

Overview

The American Power Conversion (APC[™]) Rack Automatic Transfer Switch (ATS) provides reliable, redundant power to single-corded equipment. The Rack ATS has dual input power cords supplying power to the connected load. If the primary source becomes unavailable, the Rack ATS will seamlessly source power from the secondary source without interrupting critical loads. Networked units have built-in network connectivity, which allows for remote management via Web, SNMP, or Telnet interfaces.

Rear view



	Item	Description/Function
❶	Power cords	The two cords connect the ATS to two separate power sources (A, B). The switch draws power from the preferred source and automatically switches to the secondary source when necessary. The two (2) 2.44-m (8-ft) power cords have L6-30 plugs.
❷	Outlets	The outlet connects the ATS to equipment in the rack or enclosure, providing a redundant source of power to the connected equipment. Each switch has one NEMA L6-30R outlet.

Specifications

Electrical

Nominal input voltage	200–208 Vac
Acceptable input voltage	±10% of nominal
Input frequency	50/60 Hz
Input connectors	Two (2) 2.44-m (8 ft) L6-30 power cords
Output connectors	NEMA L6-30R
Maximum output/input current	24 A (derated) for U.S. and Canada 30 A for Japan
Overload protection External (recommended)	30 A facility provided
Transfer time	8–12 ms typical, 16 ms maximum 60 Hz, 18 ms maximum 50 Hz

Physical

Dimensions (H x W x D)	88.1 x 431.8 x 236.2 mm (3.47 x 17.00 x 9.30 in)
Shipping dimensions (H x W x D)	184.2 x 612.9 x 355.6 mm (7.25 x 24.13 x 14.00 in)
Weight	6.49 kg (14.30 lb)
Shipping weight	8.98 kg (19.80 lb)

Environmental

Maximum elevation (above MSL) Operating Storage	0 to 3000 m (0 to 10,000 ft) 0 to 15 000 m (0 to 50,000 ft)
Temperature Operating Storage	–5 to 45°C (23 to 113°F) –25 to 65°C (–13 to 149°F)
Humidity Operating Storage	0 to 95%, non-condensing 0 to 95%, non-condensing

Compliance

EMC approvals	FCC-Class A, VCCI, ICES-003 Class A
Safety approvals	TUVR-NRTL, TUVR-C, PSE

Customer support and warranty information is available at the APC Web site, www.apc.com.

© 2011 APC by Schneider Electric. APC and the APC logo are owned by Schneider Electric Industries S.A.S., American Power Conversion Corporation, or their affiliated companies. All other trademarks are property of their respective owners.

990-5214-001
10/2011