

Installation Instructions

1.0 Product Range

TPDBLED2EM 40 W Diffused Batten LED, Sustained Emergency 1200 mm, 4000K,

2.0 Installation Requirements

DANGER

RISK OF ELECTRIC SHOCK

It is illegal for persons other than an appropriately licensed electrician or other persons authorised by legislation to work on the fixed wiring of any electrical installation.

- To comply with all safety standards, the product must be used only for the purpose described in this instruction and must be installed in accordance with the wiring rules and regulation in the location where it is installed.
- Hazardous voltage may be present at the wire leads of this product.
- Lock out and tag the input circuit before accessing the wiring connections.

Failure to follow these instructions will result in death or serious injury.

- The product is class 1.
- Check whether the product has been damaged during transport. Do not operate/install any product which appears damaged in any way. Return the complete product to the place of purchase for inspection, repair or replacement.
- Take care not to pull any electrical wires during unpacking as this may damage the connection.
- Isolate the electrical supply before commencing any work on this equipment.
- Select a suitable location for installation.
- There are no user serviceable parts inside the product.

CAUTION

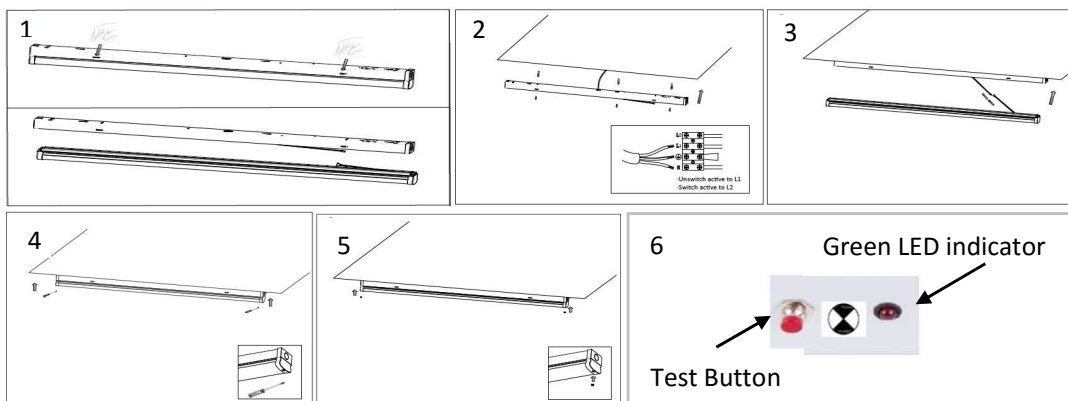
RISK OF BURN INJURIES

During and after use, the product may be hot. Do not touch the product before it has completely cooled down.

Failure to follow these instructions can result in minor injuries, or equipment damage.

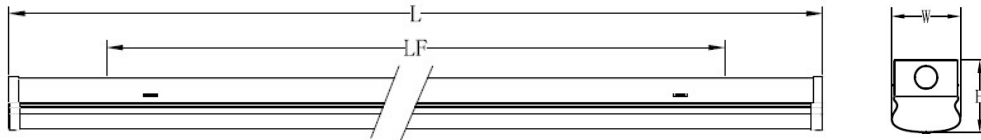
3.0 Installation Instructions

1. Open luminaire by releasing the clips on each side of the body that will release the diffuser assembly.
2. Select desired location and mount luminaire body base. Terminate mains cable to the terminal block on the base of the luminaire body base.
3. Reconnect the plug between the LED driver and the diffuser assembly. Note: connect to un-switched (L1) active and switched active (L2). Reconnect the plug between the battery and the inverter. Push the diffuser assembly onto the base ensuring the side clips are locked into place.
4. Tighten the screws at both end caps.
5. Install the caps over the screw holes on each end cap.
6. Connect power to luminaire. The green LED indicator will illuminate. Allowing 16 hours for batteries to charge, press the test switch to simulate a power failure and the luminaire will illuminate in the emergency mode.



4.0 Product Specifications

Cat #	TPDBLED2EM		
Voltage Rating	240 V a.c., 50 Hz	Operating Temperature	0°C to + 40°C
LED Power	40 W	Operating humidity	+10% to +85% RH, non condensing
Total System Power	42 W	Battery Type	LiFePO4
Lumens	3800 lm	Operation Mode	Non Maintained
Colour Temperature	4000K	Testing System	Manual Test Button
CRI	> 80	Charging Time	16 hours
IP rating	IP20	Duration	2 hours
LED Lamp Life (L70)	50,000 hrs	Charging Type	Trickle Charge
Size (LxWxH)	1230x80x85 mm	Charger Operation	Continuous
Length between mounting center's (LF)	945mm	Weight	2.2 ± 0.2 kg



5.0 Warranty

Schneider Electric (Australia) Pty Ltd, (Clipsal by Schneider Electric), warrants the product described in the installation instructions enclosed with this warranty document (Product) to be free from defects in materials and workmanship for a period of three years from the date of installation (excluding the battery which only carries a 1 year warranty period). The benefits conferred herein are in addition to any other rights and remedies you may have at law in respect to this product. Australian and New Zealand customers please see the notes below.

Australia: Australian Consumer Law specifies that our goods come with guarantees that cannot be excluded. You are entitled to a replacement or refund for a major failure and compensation for any other reasonably foreseeable loss or damage. You are also entitled to have the goods repaired or replaced if the goods fail to be of acceptable quality and the failure does not amount to a major failure.

New Zealand: This guarantee is in addition to and does not affect your rights under applicable law, except where that law expressly provides otherwise. The Consumer Guarantee Act 1993 (NZ) will not apply if this product is purchased for the purpose of business.

This warranty is expressly subject to the Schneider Electric Product being installed, wired, tested, operated and used in accordance with our instructions and specifications. Any alterations or modifications made to the Product without our permission will void the warranty. Schneider Electric will at its option repair, replace or refund any defective Product. The cost of replacement or repair of a defective Product is limited to the price of the Product only. Schneider Electric will not be responsible for the cost of retrieving, removing, reinstalling, transporting (including return of the defective Product to us) or re-testing a Product.

How to make a claim: You shall provide Schneider Electric with adequate particulars of the defect within 28 days of the fault occurring. Contact your local Schneider Electric, PDL or Clipsal products' supplier and provide the details of the date of purchase, description of load or connections and the circumstances of the failure. Returned Product must be securely packed and labelled for proper processing.

Australia Schneider Electric (Australia) Pty Ltd

Customer Care Australia:
1300 369 233
Email: customercare.au@schneider-electric.com
www.schneider-electric.com.au

New Zealand Schneider Electric (NZ) Ltd

38 Business Parade South, Highbrook, East Tamaki, Manukau 2013
P.O. Box 259370 Botany, Manukau 2163
Telephone +64 9-829 0490, Fax +64 9-829 0491
After hours service hotline:
0800 735 4357 (New Zealand only)
Customer Care: 0800 652 999
Email: sales@nz.schneider-electric.com
www.schneider-electric.com

Technical and Sales Support

For assistance and technical problems, contact your nearest Schneider Electric Sales representative.

Schneider Electric reserves the right to change specifications, modify designs and discontinue items without incurring obligation and whilst every effort is made to ensure that descriptions, specifications and other information in this catalogue are correct, no warranty is given in respect thereof and the company shall not be liable for any error therein.

© Schneider Electric 2016

This material is copyright under Australian and international laws. Except as permitted under the relevant law, no part of this work may be reproduced by any process without the prior written permission of and acknowledgment of Schneider Electric

