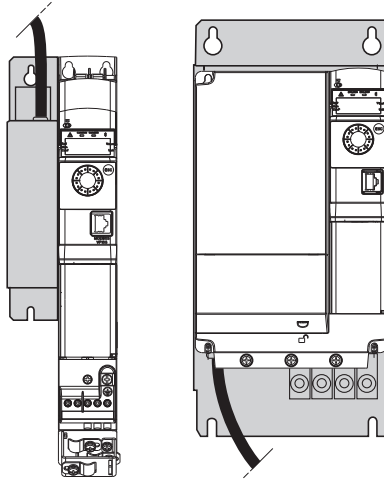




S1A4761507

ATV320 / ATV32
ATV340 / LXM32

EMC filters
VW3A4420 ... VW3A4426
VW3A4461 - VW3A4462



⚠ ⚠ DANGER

HAZARD OF ELECTRIC SHOCK, EXPLOSION, OR ARC FLASH

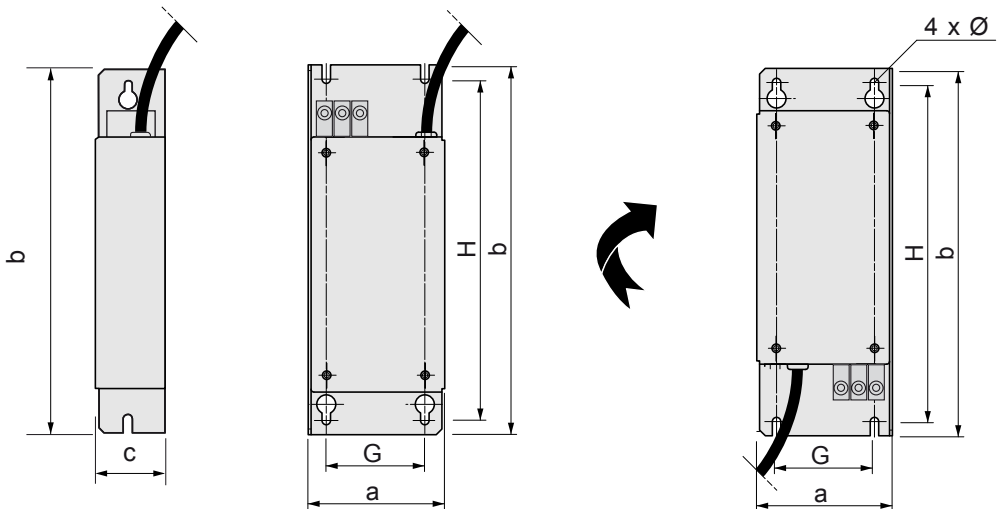
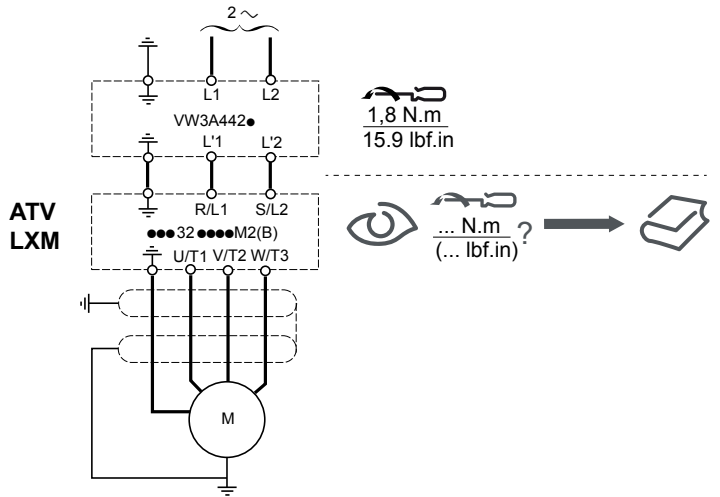
- Only appropriately trained persons who are familiar with and understand the contents of this manual and all other pertinent product documentation and who have received safety training to recognize and avoid hazards involved are authorized to work on and with this drive system. Installation, adjustment, repair, and maintenance must be performed by qualified personnel.
- The system integrator is responsible for compliance with all local and national electrical code requirements as well as all other applicable regulations with respect to grounding of all equipment.
- Many components of the product, including the printed circuit boards, operate with mains voltage. Do not touch. Use only electrically insulated tools.
- Do not touch unshielded components or terminals with voltage present.
- Motors can generate voltage when the shaft is rotated. Prior to performing any type of work on the drive system, block the motor shaft to prevent rotation.
- AC voltage can couple voltage to unused conductors in the motor cable. Insulate both ends of unused conductors of the motor cable.
- Do not short across the DC bus terminals or the DC bus capacitors or the braking resistor terminals.
- Before performing work on the drive system:
 - Disconnect all power, including external control power that may be present.
 - Place a "Do Not Turn On" label on all power switches.
 - Lock all power switches in the open position.
 - Wait 15 minutes to allow the DC bus capacitors to discharge. The DC bus LED is not an indicator of the absence of DC bus voltage that can exceed 800 Vdc.
 - Measure the voltage on the DC bus between the DC bus terminals (PA/+, PC/-) using a properly rated voltmeter to verify that the voltage is <42 Vdc.
 - If the DC bus capacitors do not discharge properly, contact your local Schneider Electric representative. Do not repair or operate the product.
- Install and close all covers before applying voltage.

Failure to follow these instructions will result in death or serious injury.

Electrical equipment should be installed, operated, serviced, and maintained only by qualified personnel. No responsibility is assumed by Schneider Electric for any consequences arising out of the use of this product.

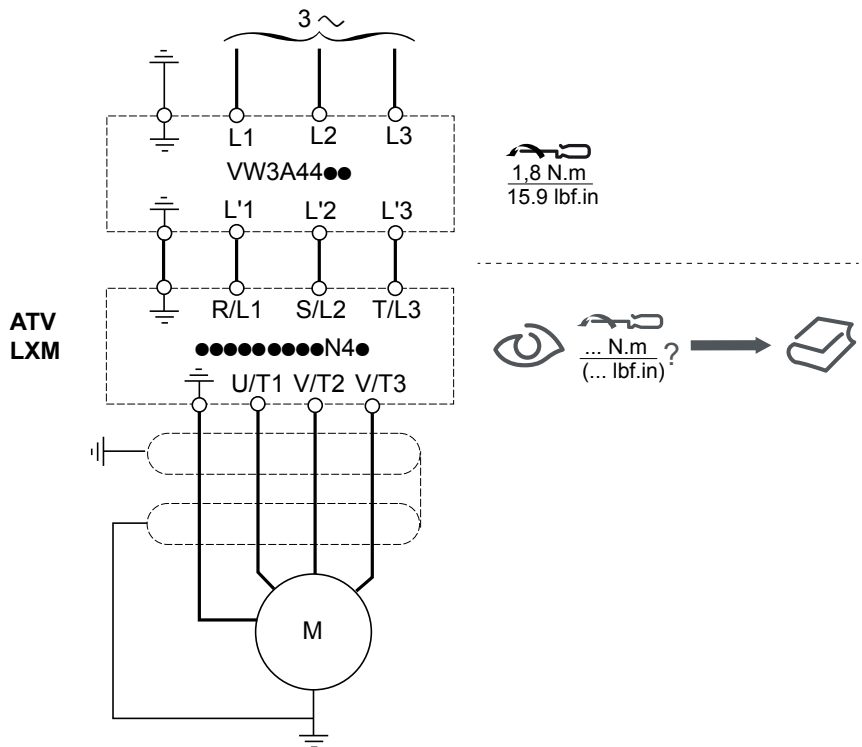
© 2018 Schneider Electric. All Rights Reserved.

VW3A4420	9A	ATV320U02M2B...U07M2B, ATV32H018M2...H075M2 LXM32●U45M2, U90M2
VW3A4421	16A	ATV320U11M2B...U15M2B, ATV32HU11M2...HU15M2 LXM32●D18M2, D30M2
VW3A4426	22A	ATV320U22M2B, ATV32HU22M2

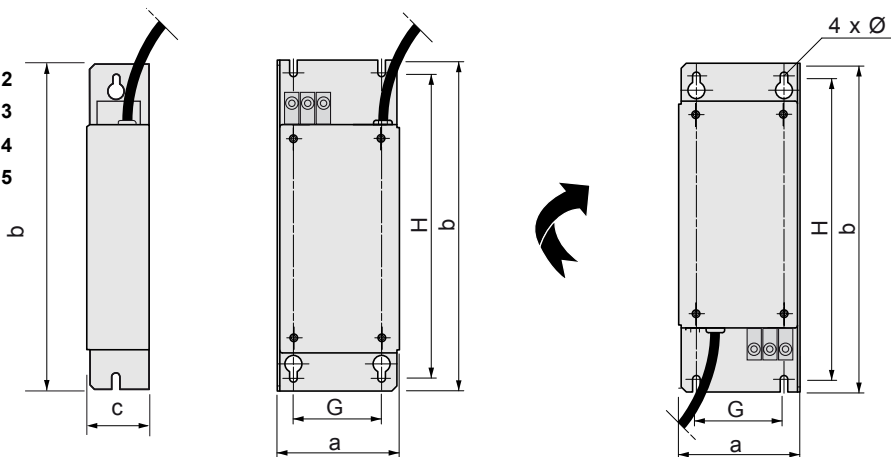


	a		b		c		G		H		Ø	
	mm	(inch)	mm	(inch)	mm	(inch)	mm	(inch)	mm	(inch)	mm	(inch)
VW3A4420	72	2.83	195	7.63	37	1.46	52	2.05	180	7.09	4.5	0.18
VW3A4421	107	4.21	195	7.63	35	1.38	85	3.35	180	7.09	4.5	0.18
VW3A4426	140	5.51	235	9.25	35	1.38	120	4.72	215	8.46	4.5	0.18

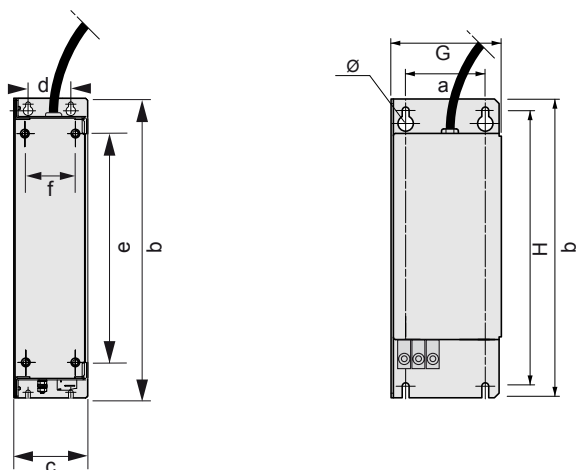
VW3A4422	15A	ATV340U07N4● ATV340U15N4● ATV320U04N4B...U40N4B, ATV32H037N4...HU40N4 LXM32●U60N4, D12N4, D18N4, D30N4
VW3A4423	25A	ATV340U22N4● ATV340U75N4● LXM32●D72N4
VW3A4424	47A	ATV320U55N4B, U754B, ATV32HU55N4, HU75N4 LXM32●D84N4, C10N4
VW3A4425	49A	ATV320D11N4B, D15N4B, ATV32HD11N4, D15N4
VW3A4461	6.5A	ATV320U04N4● ATV320U15N4●
VW3A4462	13.7A	ATV320U22N4● ATV320U40N4●



VW3A4422
 VW3A4423
 VW3A4424
 VW3A4425



VW3A4461
 VW3A4462



		a	b	c	d	e	f	G	H	Ø
VW3A4422	mm	107	195	42	-	121.5	93	85	180	4.5
	(in.)	4.21	7.68	1.65	-	4.76	3.66	3.35	7.09	0.18
VW3A4423	mm	140	235	50	-	157	126	120	215	4.5
	(in.)	5.51	9.25	1.97	-	6.18	4.96	4.2	8.46	0.18
VW3A4424	mm	180	305	60	-	210	160	140	285	5.5
	(in.)	7.09	12.01	2.36	-	8.26	6.3	5.48	11.15	0.22
VW3A4425	mm	245	395	60	-	295	225	205	375	5.5
	(in.)	9.65	15.55	2.35	-	11.61	8.86	8.07	14.6	0.22
VW3A4461	mm	70	315	60	28	258	29	45	301	10
	(in.)	2.75	12.4	2.36	1.1	10.15	1.14	1.77	11.85	0.39
VW3A4462	mm	78	315	75	42	258	42	49	301	10
	(in.)	3.07	12.4	2.95	1.65	10.15	1.65	1.93	11.85	0.39