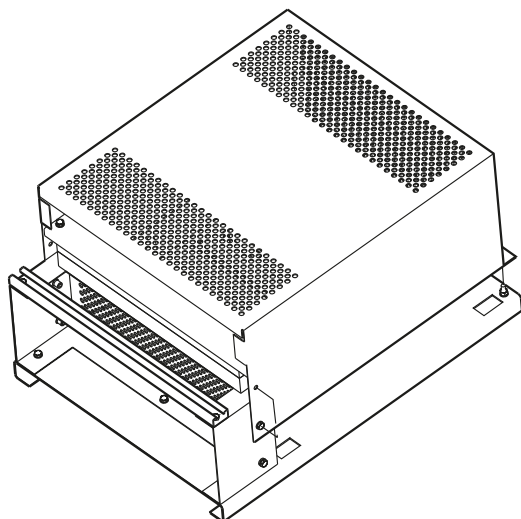


175581206

**Altivar****IP20 kit for Motor Choke  
VW3A9612...613**

IP20 kit	Option
VW3A9612	VW3A5104...105
VW3A9613	VW3A5106...108

**⚠ ⚠ DANGER****HAZARD OF ELECTRIC SHOCK, EXPLOSION, OR ARC FLASH**

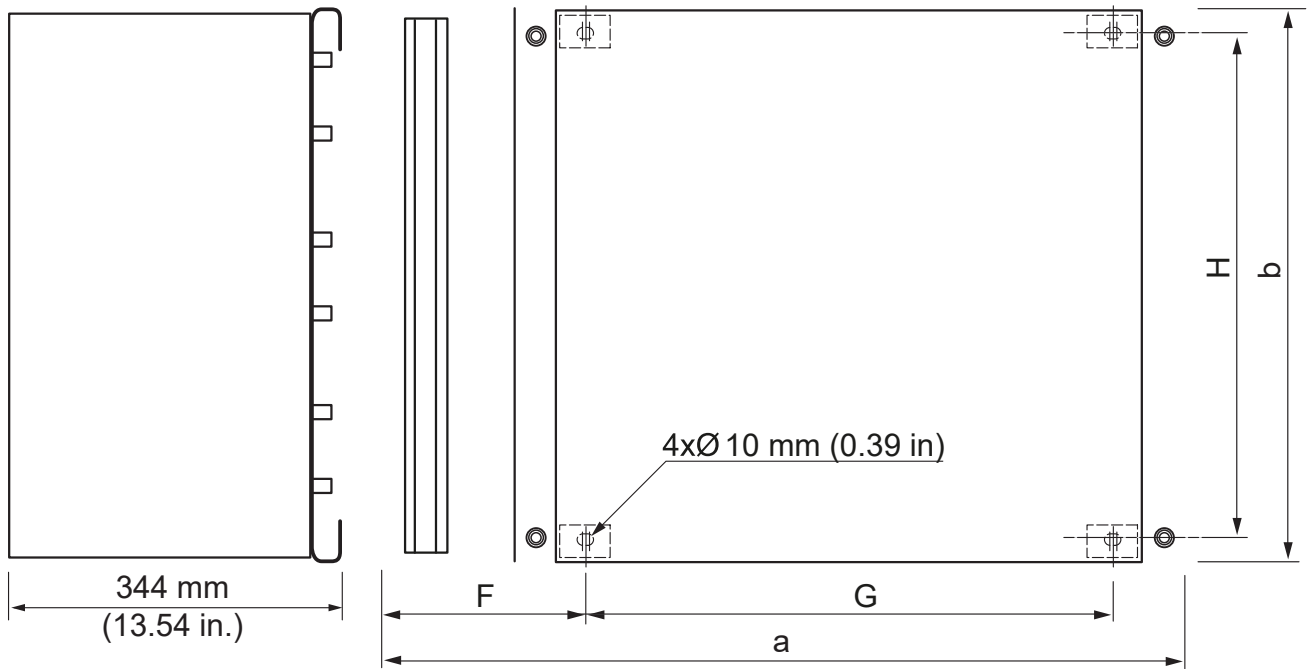
- Only appropriately trained persons who are familiar with and understand the contents of this manual and all other pertinent product documentation and who have received safety training to recognize and avoid hazards involved are authorized to work on and with this drive system. Installation, adjustment, repair, and maintenance must be performed by qualified personnel.
- The system integrator is responsible for compliance with all local and national electrical code requirements as well as all other applicable regulations with respect to grounding of all equipment.
- Many components of the product, including the printed circuit boards, operate with mains voltage. Do not touch. Use only electrically insulated tools.
- Do not touch unshielded components or terminals with voltage present.
- Motors can generate voltage when the shaft is rotated. Prior to performing any type of work on the drive system, block the motor shaft to prevent rotation.
- AC voltage can couple voltage to unused conductors in the motor cable. Insulate both ends of unused conductors of the motor cable.
- Do not short across the DC bus terminals or the DC bus capacitors or the braking resistor terminals.
- Before performing work on the drive system:
  - Disconnect all power, including external control power that may be present.
  - Place a "Do Not Turn On" label on all power switches.
  - Lock all power switches in the open position.
  - Wait 15 minutes to allow the DC bus capacitors to discharge. The DC bus LED is not an indicator of the absence of DC bus voltage that can exceed 800 Vdc.
  - Measure the voltage on the DC bus between the DC bus terminals (PA/+ and PC/-) using a properly rated voltmeter to verify that the voltage is <42 Vdc.
  - If the DC bus capacitors do not discharge properly, contact your local Schneider Electric representative. Do not repair or operate the product.
- Install and close all covers before applying voltage.

**Failure to follow these instructions will result in death or serious injury.**

Electrical equipment should be installed, operated, serviced, and maintained only by qualified personnel.  
No responsibility is assumed by Schneider Electric for any consequences arising out of the use of this product.

© 2019 Schneider Electric. All Rights Reserved.

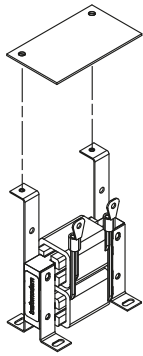
# Dimensions



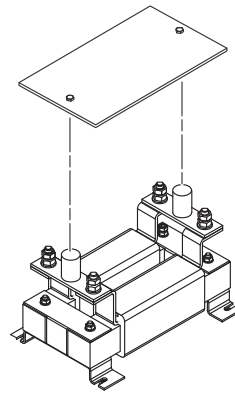
	a		b		F		G		H	
	mm	in	mm	in	mm	in	mm	in	mm	in
VW3A9612	780	30.70	580	22.83	194	7.64	530	20.87	526	20.70
VW3A9613	1180	46.45	780	30.70	254	10.00	750	29.53	726	28.58

1

# Mounting

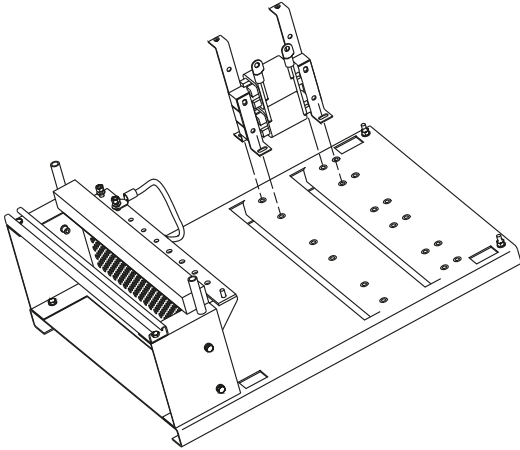


VW3A5104...105

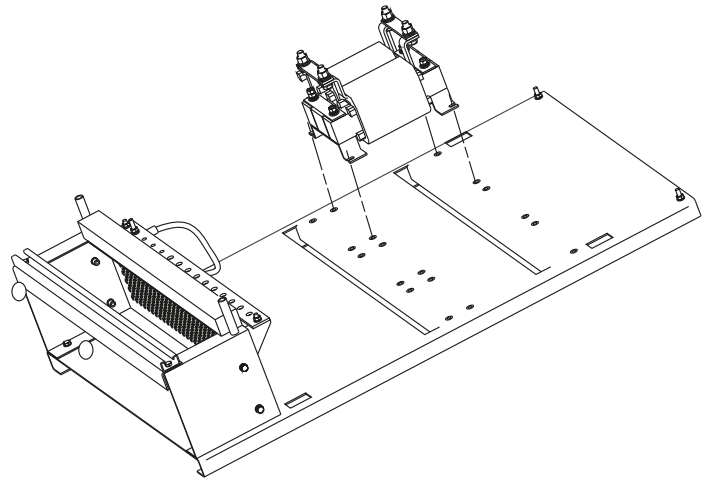


VW3A5106...108

2

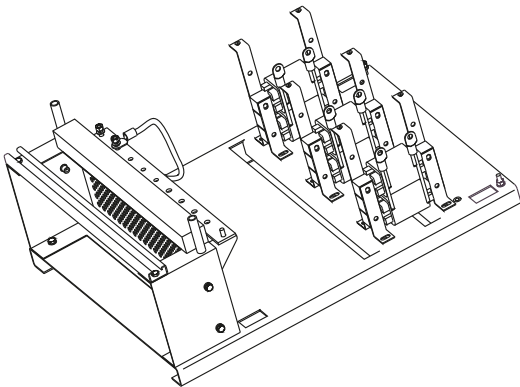


VW3A9612

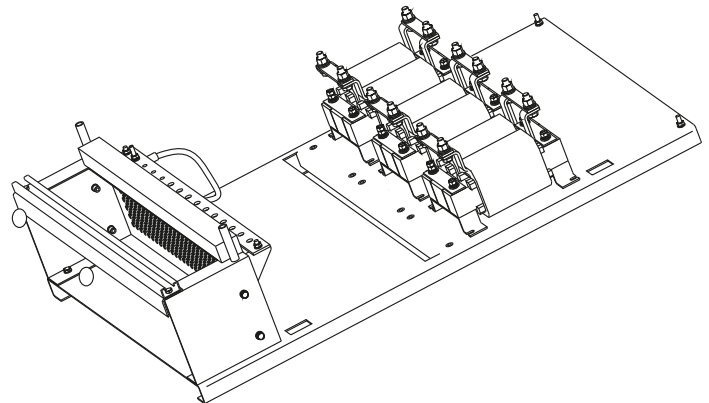


VW3A9613

3

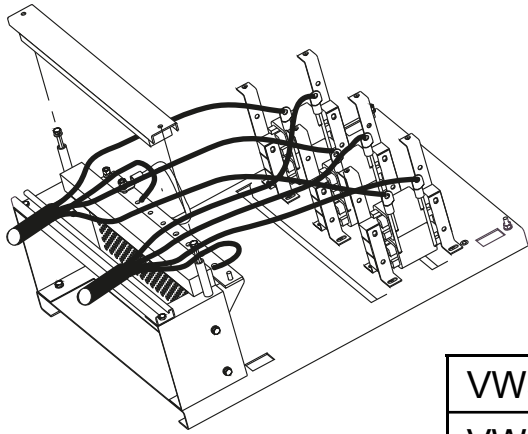


VW3A9612

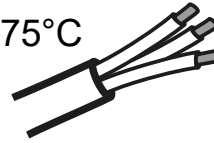


VW3A9613

VW3A9612

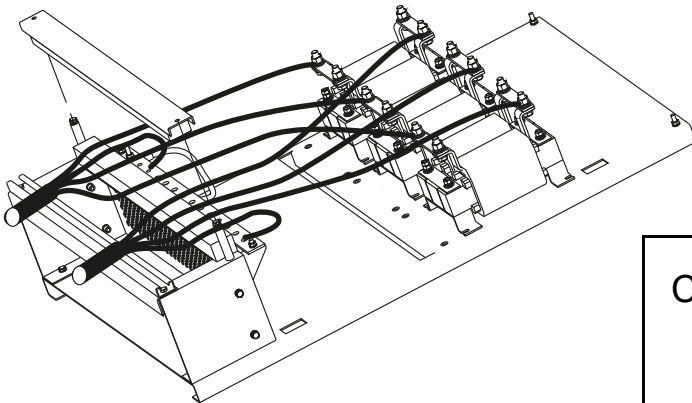


Cu 75°C

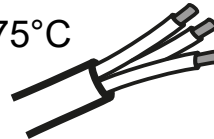


VW3A5104	2xAWG3/0 / 2x85 mm <sup>2</sup>	212 lbf.in / 24 N·m
VW3A5105	3xAWG3/0 / 3x85 mm <sup>2</sup>	

VW3A9613



Cu 75°C



VW3A5106	3x300kcmil / 3x152 mm <sup>2</sup>	360 lbf.in / 41 N·m
VW3A5107	5x300kcmil / 5x152 mm <sup>2</sup>	
VW3A5108	6x300kcmil / 6x152 mm <sup>2</sup>	

