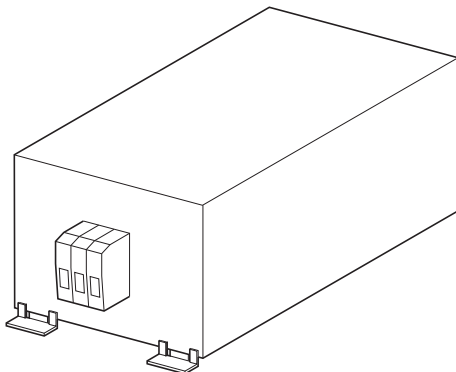




00175729213038

# Altivar

## VW3A4601 ... A4677



### **⚠ ⚠ DANGER**

#### **HAZARD OF ELECTRIC SHOCK, EXPLOSION, OR ARC FLASH**

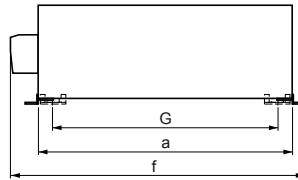
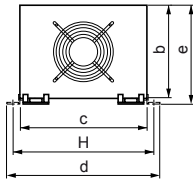
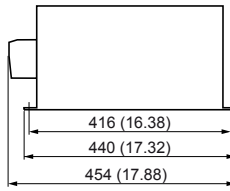
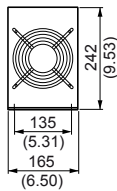
- Read and understand this manual and the manuals of the drive before installing this option.
- Installation must be performed by qualified personnel
- The user is responsible for compliance with all international and national electrical code requirements with respect to grounding of all equipment.
- Many parts of this drive, including the printed circuit boards, operate at the line voltage. **DO NOT TOUCH.** Use only electrically insulated tools.
- **DO NOT** touch unshielded components or terminal strip screw connections with voltage present.
- **DO NOT** short across terminals PA/+ and PC/- or across the DC bus capacitors.
- Before servicing the drive:
  - Disconnect all power, including external control power that may be present.
  - Place a "DO NOT TURN ON" label on all power disconnects.
  - Lock all power disconnects in the open position.
  - **WAIT 15 MINUTES** to allow the DC bus capacitors to discharge.
  - Measure the voltage of the DC bus between the PA/+ and PC/- terminals to ensure that the voltage is less than 42 Vdc.
  - If the DC bus capacitors do not discharge completely, contact your local Schneider Electric representative. Do not repair or operate the drive.
- Install and close all covers before applying power or starting and stopping the drive.

**Failure to follow these instructions will result in death or serious injury.**

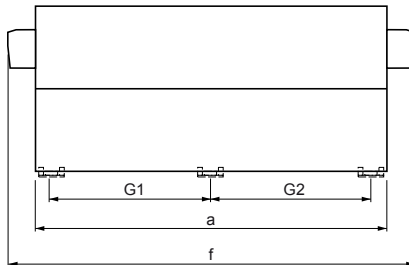
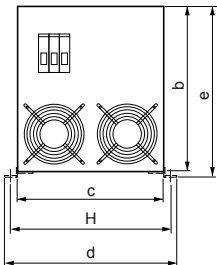
Electrical equipment should be installed, operated, serviced, and maintained only by qualified personnel. No responsibility is assumed by Schneider Electric for any consequences arising out of the use of this product.

© 2011 Schneider Electric. All Rights Reserved.

VW3A4●●●  
601...604, 621...623  
641...644, 661, 662

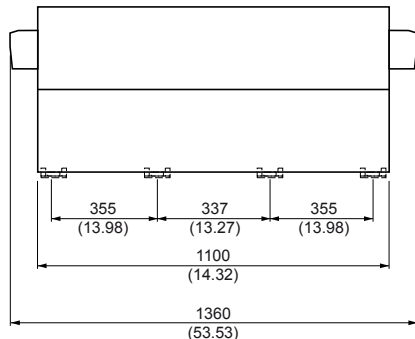
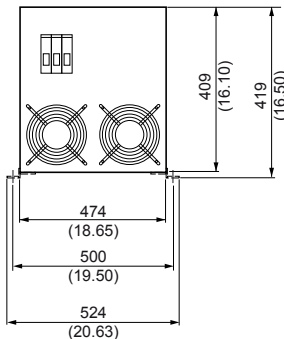


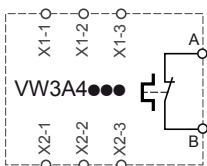
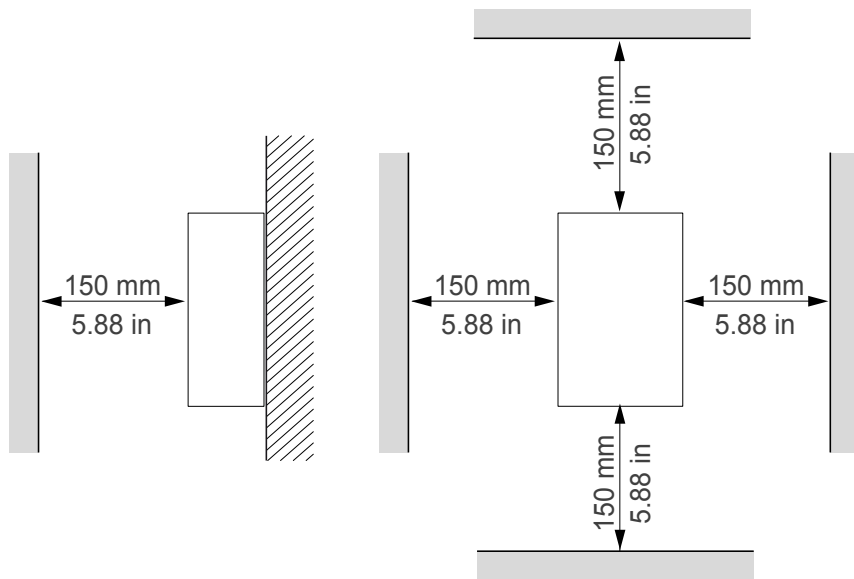
VW3A4●●●	a		b		c		d		e		f		G		H	
	mm	in	mm	in	mm	in	mm	in	mm	in	mm	in	mm	in	mm	in
605, 606, 624, 625, 645, 646, 663, 665	600	23.62	220	8.62	302	11.89	357	14.06	230	9.01	698	27.47	532,5	20.97	333,5	13.13
607...609, 626, 627, 647, 648, 666, 667	840	33.08	220	8.62	302	11.89	357	14.06	230	9.01	938	39.92	772,5	30.42	333,5	13.13




VW3A4●●●	a		b		c		d		e		f		G1		G2		H	
	mm	in	mm	in	mm	in	mm	in	mm	in	mm	in	mm	in	mm	in	mm	in
610, 611, 628, 629, 649, 656, 668	830	32.68	390	15.35	345	13.58	393	15.47	400	15.75	1060	41.73	395	15.55	377	14.84	370	14.43
612, 619, 630, 631, 650, 657, 669, 676	900	35.44	409	16.10	406	15.98	454	17.87	419	16.50	1160	45.66	430	16.93	412	16.22	430	16.77
613, 632, 639, 651, 670, 677	1070	42.14	409	16.10	406	15.98	454	17.87	419	16.50	1330	52.35	515	20.27	497	19.56	430	16.77

VW3A4●●●  
633, 671





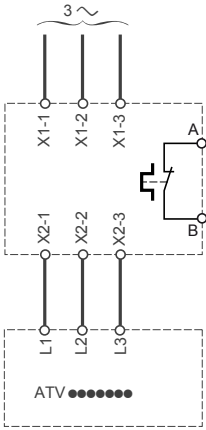
VW3A4●●●	 $\frac{\text{N.m}}{\text{lb.in}}$	
	X1-1 ... X2-3	A, B
601 ... 604, 621 ... 624, 641 ... 644, 661 ... 664	2.2 Nm 19 lb.in	0.6 ... 0.8 Nm 5.3 ... 7 lb.in
605 ... 609, 625 ... 629, 645 ... 648, 665 ... 668	7 Nm 62 lb.in	0.6 ... 0.8 Nm 5.3 ... 7 lb.in
610, 611, 630, 631, 649, 656, 669, 676	28 Nm 242 lb.in	0.6 ... 0.8 Nm 5.3 ... 7 lb.in
612, 613, 619, 632, 633, 639, 650, 651, 657, 670, 671, 677	33 Nm 288 lb.in	0.6 ... 0.8 Nm 5.3 ... 7 lb.in



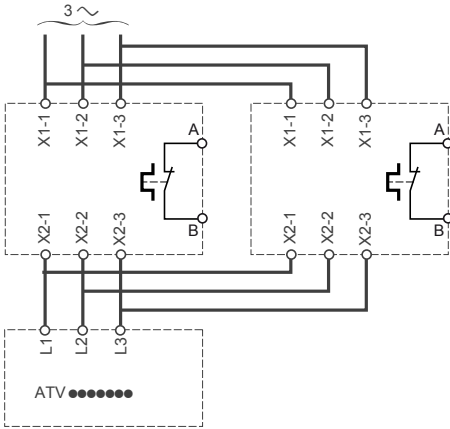
? N.m  
? lb.in



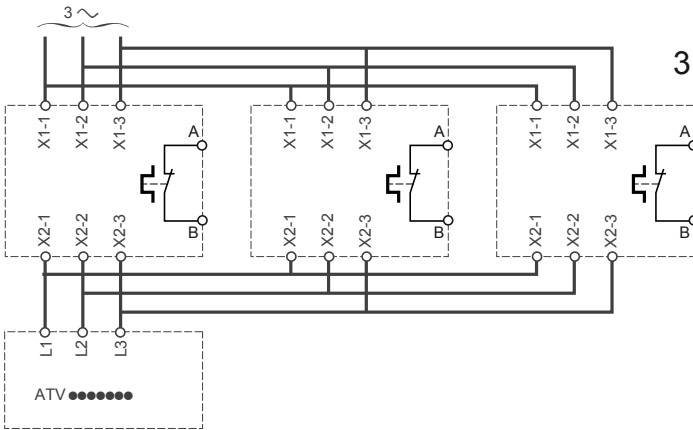
3/4



1 x VW3 A4 6●●



2 x VW3 A4 6●●



3 x VW3 A4 6●●