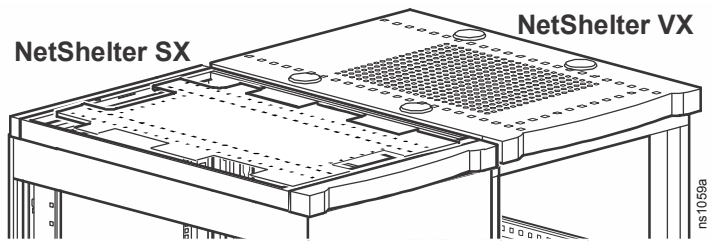


Roof Match Kit for NetShelter™ SX to VX

AR7202, AR7203

The Roof Match Adapter installs onto a NetShelter SX to match the appearance of the NetShelter VX.

The NetShelter SX roof (AR7201 & AR7251) can then be installed directly onto the Roof Match Adapter.



Spring pins on the Roof Match Adapter allow for toolless installation. The roof match adapters front and rear fascias are removable, allowing for easy removal front and rear doors.

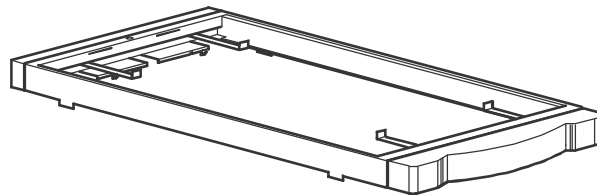
⚠ WARNING

HAZARD OF FALLING EQUIPMENT

Use at least two people to install the roof match adapter.

Failure to follow these instructions can result in death, serious injury, or equipment damage.

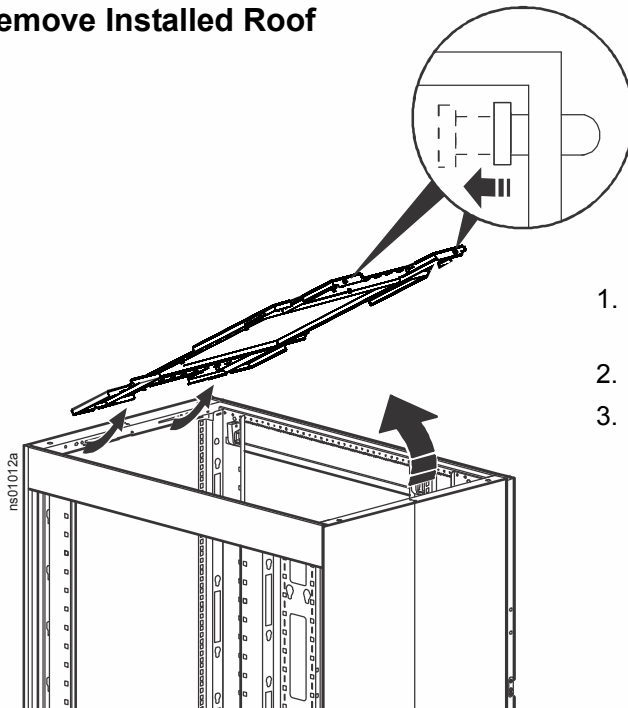
Inventory



Roof Match Kit (1)

Installation

Remove Installed Roof

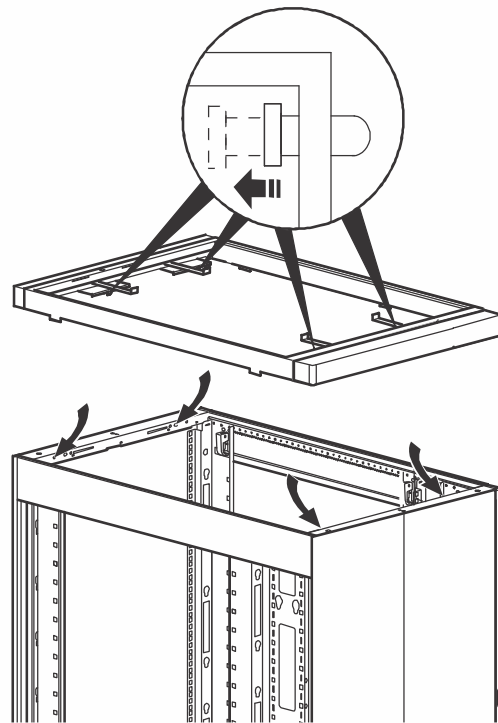


1. Pull and hold the 2 spring pins in the rear of the cabinet.
2. Push the roof up from the cabinet.
3. Lift the roof off of the cabinet.

NOTE: The roof match adapter cannot be installed or removed if cables are routed through the roof of the cabinet. Remove cables as needed.

Install Roof Match Adapter

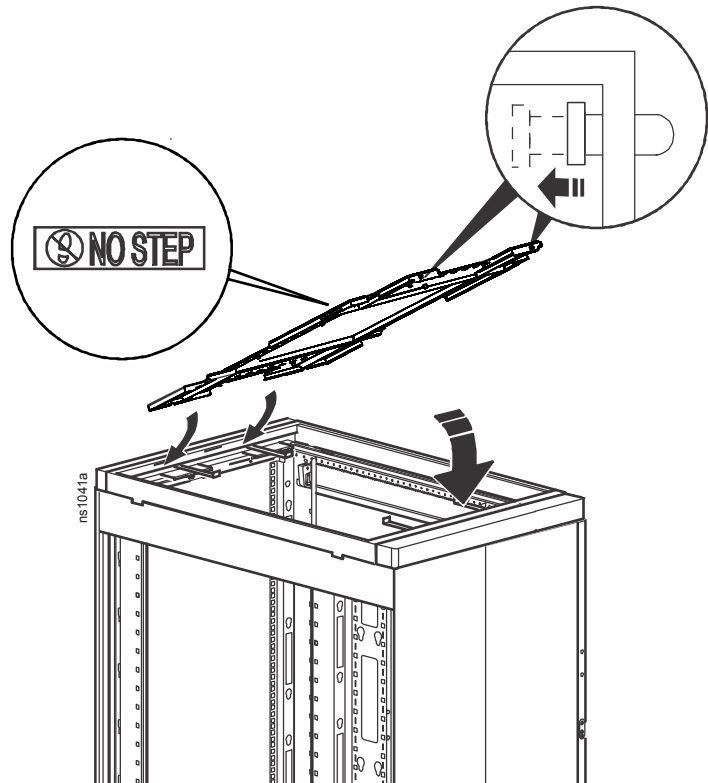
1. Pull and hold the four spring pins in the front and rear inside of the roof match adapter.
2. Lower the roof match adapter onto the cabinet.
3. Release the pins to secure the roof match adapter to the cabinet.



Install Roof

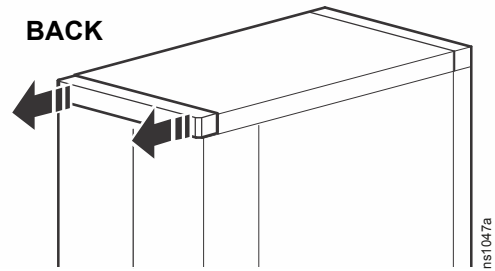
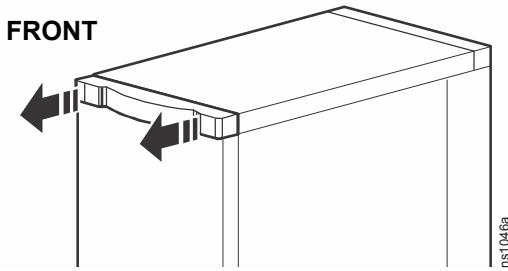
1. Slide the tabs on the front of the roof into the front of the cabinet.
2. Lower the roof into the cabinet, while pulling the 2 springs pins in the rear of the roof.
3. Release the pins to secure the roof to the cabinet.

NOTE: Replace any removed cables.



Maintenance

Remove the Front or Rear Door



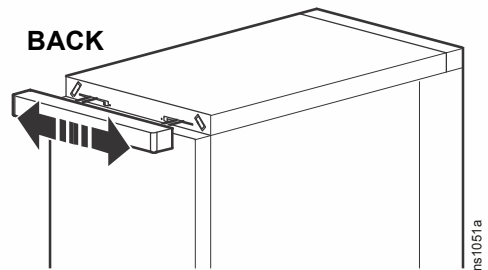
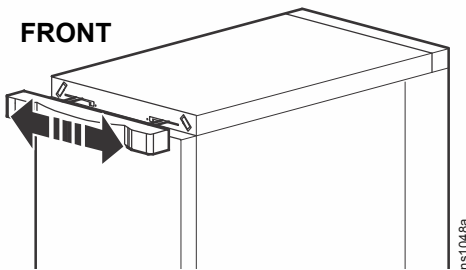
1. Partially extend the front or rear adapter from the roof match adapter by pulling both sides out and away from the roof match adapter.

⚠ CAUTION

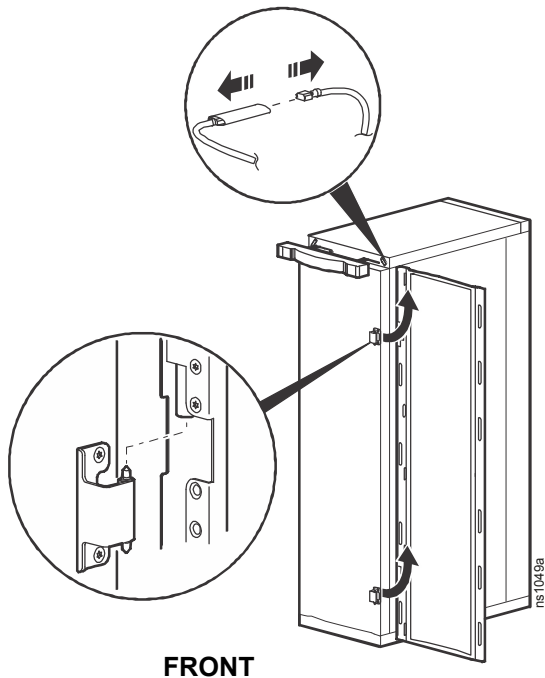
HAZARD OF FALLING EQUIPMENT

Do NOT pull down on the front or rear adapter after removing it from the roof match adapter.

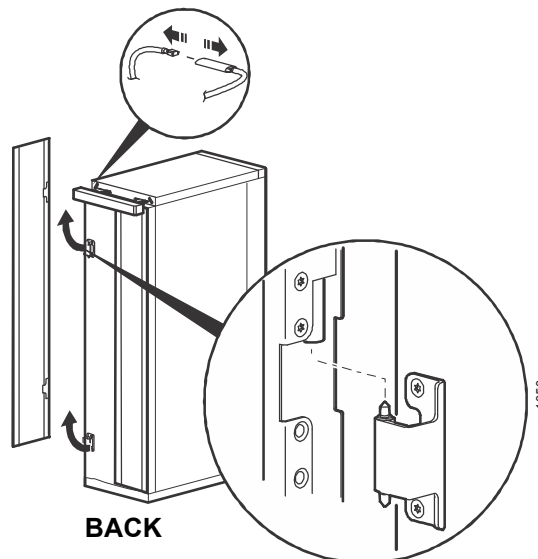
Failure to follow these instructions can result in injury or equipment damage.



2. Move the adapter from side to side, and if applicable, away from the side of the cabinet with the door hinges.



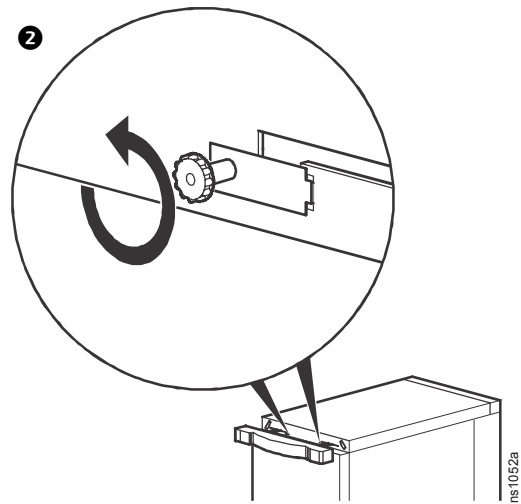
3. Disconnect the ground wire.
4. Open the door to approximately 90° and lift up and off the hinges.



Replace the Adapter

Remove the Front or Rear Adapter

1. Partially remove the rear or front adapter from the roof match adapter by pulling both sides of the adapter out and away from the roof match adapter.
2. Remove the 2 thumbscrews from the roof match adapter by turning counter-clockwise.

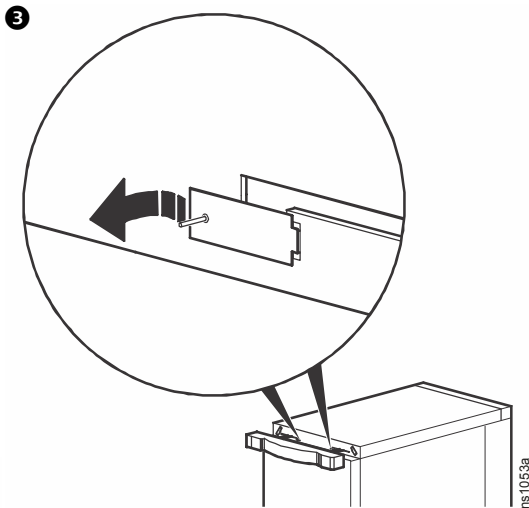


⚠ CAUTION

HAZARD OF FALLING EQUIPMENT

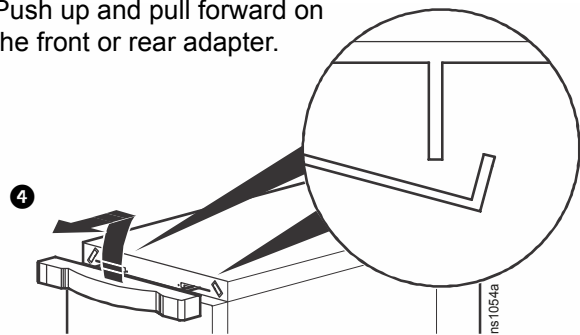
Do NOT pull down on the front or rear adapter after removing it from the roof match adapter.

Failure to follow these instructions can result in injury or equipment damage.

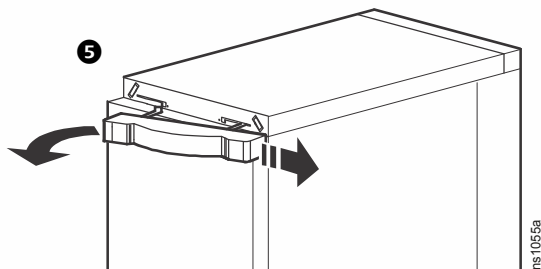


3. Remove the two roof adapter retaining brackets.

4. Push up and pull forward on the front or rear adapter.



5. Move the front or rear adapter from side to side and align the adapter prongs with the access holes now exposed from removing the retaining brackets. Remove one prong and then move the adapter toward the other side of the cabinet to remove the second prong.



Install the Front or Rear Adapter

Reverse Steps 1 - 5 of "Remove the Front or Rear Adapter" procedure to install the front or rear adapter.