



## Focusing Your NetBotz Camera Pod 120

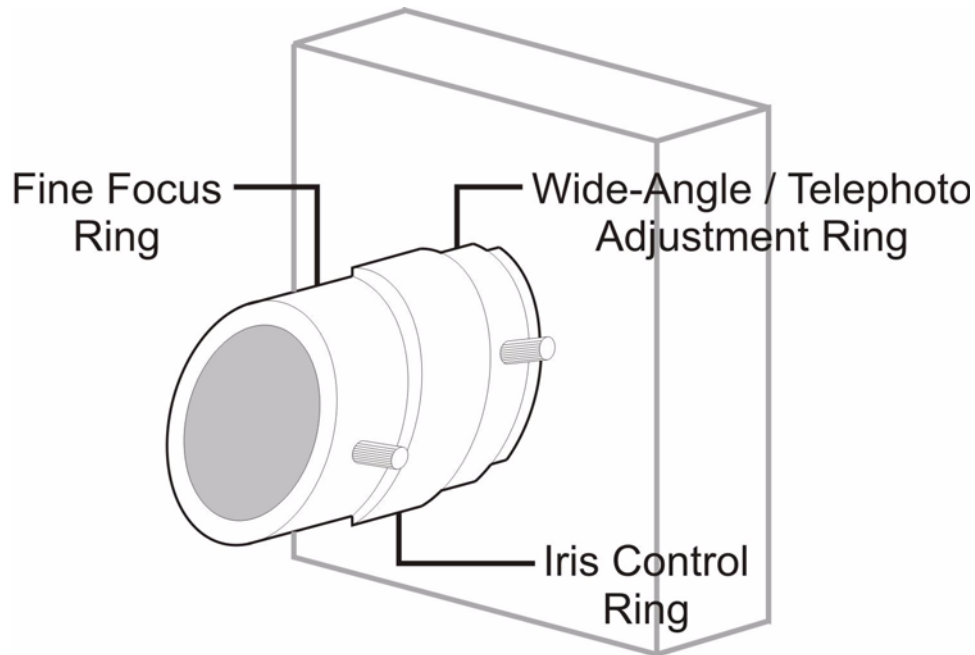
Your NetBotz Camera Pod 120 features a premium, highly adjustable lens. This lens can be adjusted for use as a wide angle or telephoto lens, and features manual iris adjustment capability that enables you to limit the amount of light that enters the camera, enhancing your ability to view fine detail in brightly lit areas. Due to the advanced capabilities of this lens, proper focus and iris adjustment during the initial deployment of your camera is very important. The lens focus and adjustment process described below can be used to minimize any difficulties you may encounter during this process and enhance the functionality and usefulness of your NetBotz Camera Pod once deployment is complete.

Before you begin this process, you will need to install and mount the Camera Pod 120 at its final deployment location. Be sure to orient the Camera Pod 120 so that it is pointing toward the location that you wish to monitor. The NetBotz appliance to which the Camera Pod is connected should also be installed, configured, and accessible via the Basic or Advanced View consoles. If possible, having a laptop or other computer that can access the Basic or Advanced View available at the Camera Pod deployment location can greatly simplify the lens focus and adjustment process.

### Camera Pod 120 Lens Overview

Your Camera Pod 120 lens features three adjustable rings:

- **The Wide-Angle / Telephoto Adjustment Ring:** Used to configure the lens for use as either a telephoto lens (useful for locations where it is important to be able to focus on distant objects, or in narrow spaces such as hallways) or as a wide angle lens (useful for large areas or spaces, such as when monitoring an entire room by placing the camera in a corner near the ceiling line).
- **The Iris Control Ring:** Used to limit the amount of light that is permitted to enter the lens. This can be useful for brightening the image in a dark area, or for dimming the image when the area being viewed is too bright when monitoring very brightly lit areas.
- **The Fine Focus Ring:** Enables you to make fine focus adjustments. This helps you to achieve the best possible image quality.



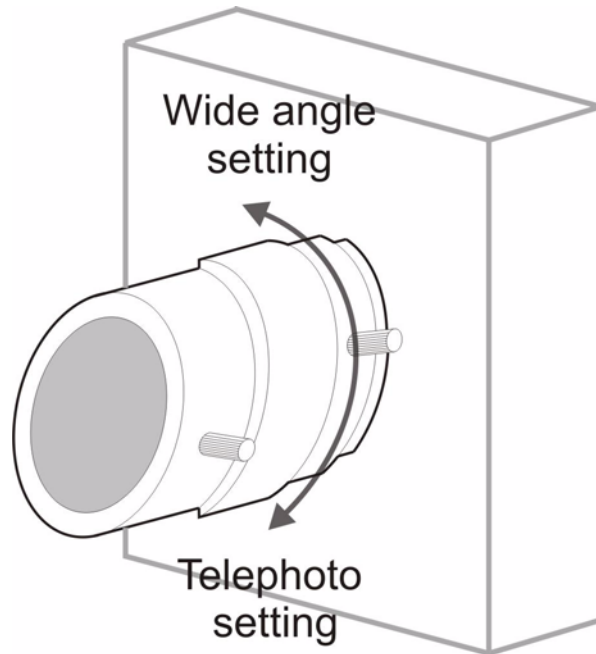
Note that the Wide-Angle / Telephoto Adjustment Ring and Fine Focus rings each feature a locking screw. These screws will be used to lock the rings in place once you are satisfied with your focus settings. Once they are locked in place these locking screws prevent the focus rings from turning due to manual interference or vibrations, thereby ensuring that additional focus adjustments will not be necessary.

## Focusing and Adjusting Your Camera Pod 120 Lens

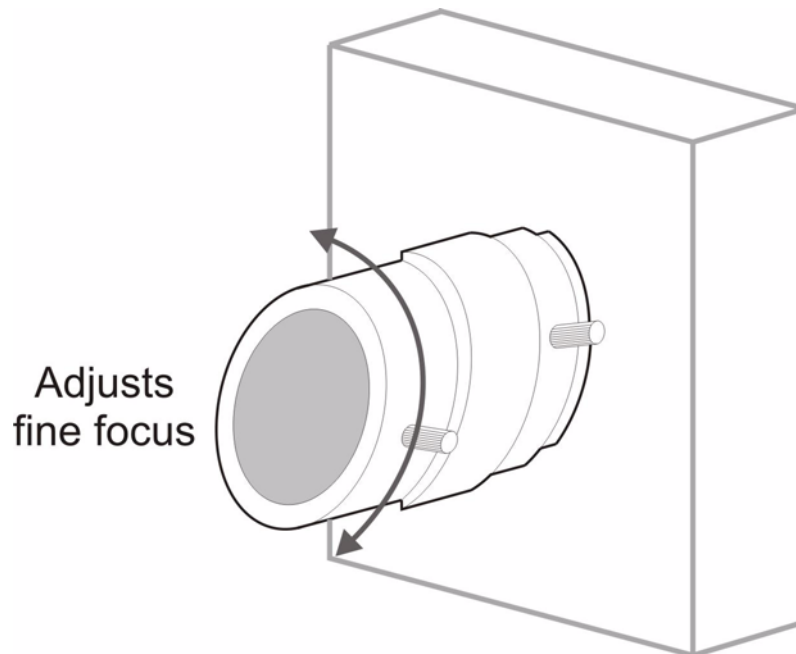
Before you begin this process, make sure that your Camera Pod 120 is mounted in the correct location and that it is pointing in the desired direction. Also, ensure that the NetBotz appliance to which the Camera Pod 120 is connected can be accessed using the Basic View or Advanced View. You will be using the image that is displayed in the Basic or Advanced View to make adjustments to the camera focus, so it is important that you have access to the Basic or Advanced View when performing this process.

1. Point your web browser at the IP address assigned to your NetBotz appliance, or start the Advanced View and connect to the IP address assigned to your NetBotz appliance.
2. Once you have successfully connected to the NetBotz appliance using either the Basic or Advanced View ensure that the Camera Pod is accessible. Select from the Cameras view the thumbnail image that is associated with your Camera Pod 120. If necessary, increase the resolution of the camera image, and then increase the frame rate to 5 or 10 frames per second. This will enable you to see the effect your lens adjustments have in real time.
3. Before continuing, confirm that the Camera Pod 120 is pointed in the desired direction. If you reorient of the Camera Pod 120 after you finish this process you might need to readjust the lens focus.
4. Loosen (but do not completely unscrew and remove) the locking screw on the Wide-Angle / Telephoto Adjustment Ring. Then, set the lens for use as a telephoto lens (to focus on distant locations in a narrow field of view) or as a wide angle lens (to focus on

close-by objects in a wide field of view). Rotate the Wide-Angle / Telephoto Adjustment Ring toward wide angle or telephoto as shown below until the rings stops, or until you achieve the desired viewing angle.

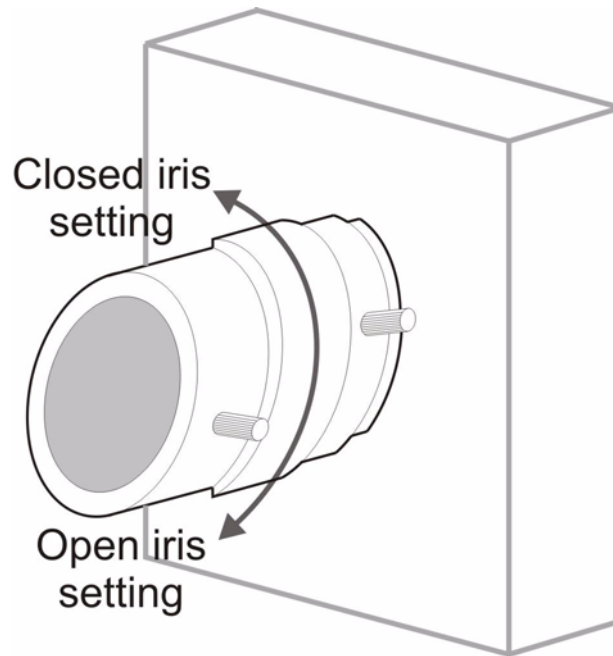


5. Loosen (but do not completely unscrew and remove) the locking screw on the Fine Focus Ring. Then, while referring to the image that is displayed in the Basic or Advanced View, make small adjustments to the position of the Fine Focus Ring until you are satisfied with the image that is displayed in the Basic or Advanced View. Then, tighten the locking screws on the Fine Focus Ring and the Wide-Angle / Telephoto Adjustment Ring to lock them in place.



**Note:** If you are unable to get the image into focus you may need to readjust the Wide-Angle / Telephoto Adjustment Ring, then try adjusting the Fine Focus ring again.

6. Adjust the Iris Control ring. Turn the Iris Control all the way toward Open as shown below.



In most cases this setting will be adequate and no further adjustments to the iris will be necessary. However, if you are installing the Camera Pod 120 in a location that is very brightly lit you may need to close the lens iris slightly. Refer to the image that is displayed in the Basic or Advanced View: If you notice that the image seems too bright or “overexposed,” turn the Iris Control ring in very slight increments toward the closed iris setting until you are satisfied with the image quality.

**PN: 02439D00**