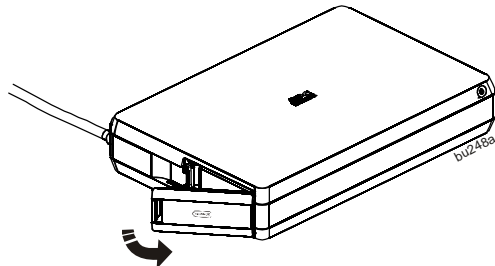


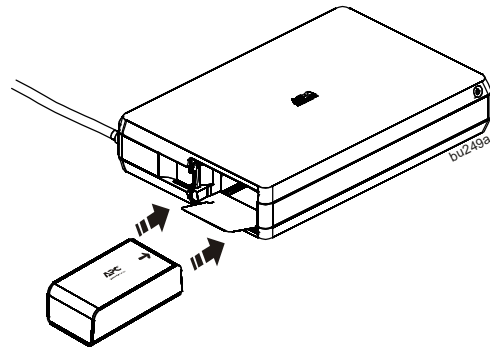
Installation Guide Back-UPS™ APCRBC146-LI

1



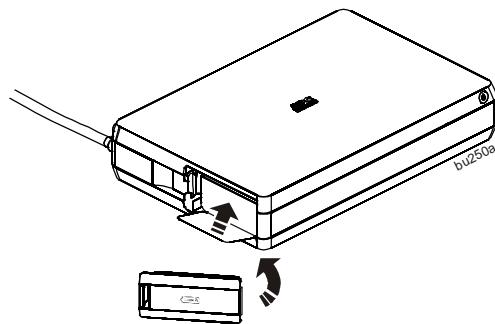
Turn off the UPS and disconnect all equipment connected to the UPS. Remove the stabilizer bracket if it is being used. Open the battery compartment door and disconnect it from the UPS.

2



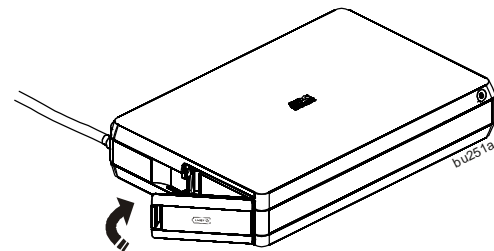
The battery connector is inside the UPS. Slide the battery into the UPS. Slight resistance will be felt as the connectors on the battery and the UPS connect.

3



Replace the battery compartment door. Fold the battery pull tab up before closing the door.

4



Close the battery compartment door.

Battery Charge and Capacity Information

- The battery charges fully during the first 12 hours while the Back-UPS Pro is operating on AC power. The battery will charge when the UPS is turned on or off.
- Do not expect full battery runtime capability during the initial charge period.
- Battery capacity information is available on the APC by Schneider Electric Web site, www.apc.com.
- The battery has a Shipping Mode that prevents power loss to the battery during shipment. To release this Shipping mode, either connect the battery then press the Power On/Off button of the Back-UPS Pro or, plug the Back-UPS Pro power cord to an AC outlet. Either way, the Power On/Off, Energy Management and Replace Battery LEDs will alternately flash for 5 seconds to complete the release process and commence with the battery's normal operation.

Lithium Ion Battery Safety Information

This product uses a lithium ion battery.

The following safety rules must be followed when shipping the battery by air transportation.

1. Disconnect the battery and remove it from the UPS.
2. Do not pack more than two batteries in the same box.
3. Place the lithium ion battery handling label with power rating in watts, on the box if two batteries are packaged in one box.
4. The following information must be included on the Air Waybill:
 - a. Lithium ion batteries or cells, NOT RESTRICTED as per PI966.
 - b. Handle the package with care!
Damage to the batteries can cause a fire hazard or the batteries may short circuit.
 - c. Contact telephone number
5. Contact the air cargo company for more detailed shipping information.

Customer support and warranty information is available at the APC by Schneider Electric Web site, www.apc.com.