

Electrical equipment should be installed, operated, serviced, and maintained only by qualified personnel. No responsibility is assumed by Schneider Electric for any consequences arising out of the use of this material.

**CAUTION**

**EQUIPMENT DAMAGE**

- Turn off power supply before working on this equipment.
- Install the unit in an atmosphere with a 35 % RH to 85 % RH.
- Don't use near a strong electromagnetic field.

Failure to follow these instructions can result in injury or equipment damage.

**EN Horn**

**A PART NAMES**

- ① Voltage select                      ⑥ Back cover                              ⑪ Resin washer
- ② Enter button                        ⑦ Cover screw                            ⑫ Angle fixation bolt
- ③ Sound select                        ⑧ Cable                                    ⑬ Main body
- ④ Operation mode                    ⑨ Mounting bracket
- ⑤ Volume                                ⑩ Horn

**B INSTALLATION**

- ① Resin washer : install it between bracket and horn    ③ Mounting bracket
- ② Angle fixation bolt
- Detach mounting bracket from horn and mount securely to a solid surface with minimal vibration.
- Place plastic washer between horn and mounting bracket and mount the horn to the bracket by installing the bolt through the bracket and washer.
- Mount the unit with the horn angled downward.
- Do not install in a location near strong electromagnetic fields. This may result in improper operation.
- Do not control the unit by quickly switching the power ON and OFF. Wait at least 500 ms between switching. Do not switch the signal input with a pulse of less than 10 ms. Not following these guidelines may result in chattering or no operation.

**C WIRING**

- Remove cover screw and detach back cover.
- Select 12V or 24V using switch.
- Reinstall back cover and ensure o-ring is properly seated to maintain enclosure rating.
- Add silicon grease to the o-ring if necessary.
- The --- supply voltage should be higher than the signal voltage, with a current rating of 50 mA or higher.
- Connect the negative supply wire to the black wire.
- Connect the positive supply wire to the red wire.
- Connect the external signal common (negative) to the white wire.
- Connect the signal input(s) to the proper wires for desired operation.
- Insulate the ends of unused wires.
- This product does not include an internal fuse, therefore it is recommended to add an external fuse to protect the product from internal damage.

**D OPERATING USE**

**1) Input operation explanation**

- Bit input (operation mode 1 to 3) :  
For modes 1-3, A channel will play when a signal (bit) is inputted. When the power supply is turned on, the selected sound will play when connected to an external switching signal.
- Binary input (operation mode 4) :  
For mode 4, a control signal input on channel 8 (gray wire) makes the input binary. Playing the selected channels with an external switching signal will correspond with the operation of channels 1-6 to select the 63 possible sounds when the power supply is turned on. Refer to table 1 for the selection of a sound channel.

**Table 1 - Sound channel in the binary input mode**

| Sound channel | Channel input signal |                |              |               |                |               |
|---------------|----------------------|----------------|--------------|---------------|----------------|---------------|
|               | N° 6<br>sky-blue     | N° 5<br>violet | N° 4<br>blue | N° 3<br>brown | N° 2<br>yellow | N° 1<br>green |
| —             |                      |                |              |               |                |               |
| 1             |                      |                |              |               |                | ●             |
| 2             |                      |                |              |               | ●              |               |
| 3             |                      |                |              |               | ●              | ●             |
| ⋮             |                      |                |              |               |                |               |
| 62            | ●                    | ●              | ●            | ●             | ●              | ●             |
| 63            | ●                    | ●              | ●            | ●             | ●              | ●             |

● Signal "ON" state

**2) Operation mode setting**

- Four of the following operation mode functions are indicated by the dip switch settings in the table hereinafter. The combination of signal inputs can be set according to the input modes. Please disconnect the power supply before setting.
- The mode control switch is located on the main body. Remove the back cover to access. Refer to table 2 for the settings. The operation mode is set for first priority mode when being shipped.

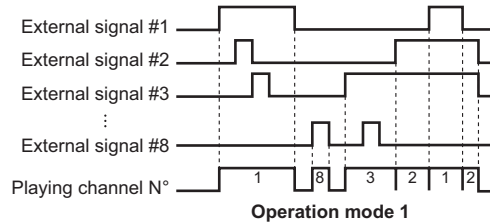
**Table 2 - Operation mode settings**

| Operation mode        | Switch state | Summary  |
|-----------------------|--------------|--|
|                       |              | ① Input signal<br>② The number of maximum sound control<br>③ Sound played                                      |
| 1 . Priority mode     |              | ① Bit input    ② 8<br>③ Play the sound with the lowest number first  |
| 2 . Latest entry mode |              | ① Bit input    ② 8<br>③ Play the most recently input sound first   |
| 3 . Single shot mode  |              | ① Bit input    ② 8<br>③ Store input numbers and play back each sound for about 3 seconds in entry sequence     |
| 4 . Binary mode       |              | ① Bit input    ② 63<br>③ Play the control signal input (gray wire), the sound identified by 6 bits binary code |

(The black part is the switch "on" position)

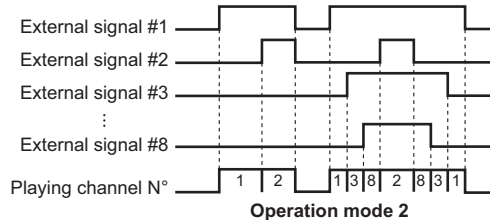
**• Operation mode 1 (first priority mode)**

- When an external input signal is held high, the sound will continue to play.
- When more than one external input signal is on simultaneously, the priority with the lowest number will play first.



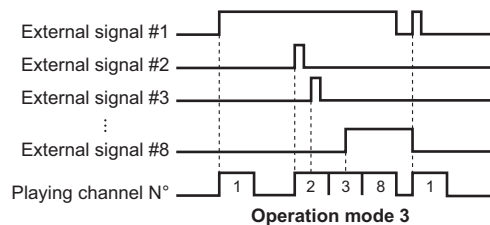
**• Operation mode 2 (latest entry mode)**

- When an input signal is on, the sound will continue to play.
- When an input signal of another channel inputs while the first channel input is still on, the sound will be interrupted to play the channel from the other channel input.



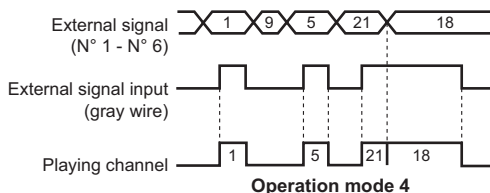
**• Operation mode 3 (one-shot mode)**

- A one-shot signal (10 ms or longer) will play a sound, even in case of a continuation of another signal that is held for about 3 seconds.
- It can store all the input signals (maximum of 31 inputs) during operation, and will play the sound in the input order.

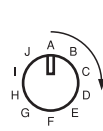


**• Operation mode 4 (binary mode)**

- After a control signal input (gray wire), the channel input signal will sound when that input is selected. A combination (6 bit binary code) of up to 63 channels will sound when there is a control signal input. (refer to table 1)
- While an external signal input and a control signal input are present, the sound will play.



3) Sound Group Settings



- After removing the back cover, turn the switch located on the main body in the back to select groups A - I. (refer to chapter G : Table of built-in sounds).
- For operation Mode 4 (Binary Mode), the sound group has to be selected to "Group A" in order to operate.
- Sound Group (I) is an optional entry (refer to chapter F : Sound registration method)

4) Volume Adjustment



- Adjust the volume located on the back of the main body.
- The unit is set on maximum volume when shipped from the factory.

E CHARACTERISTICS

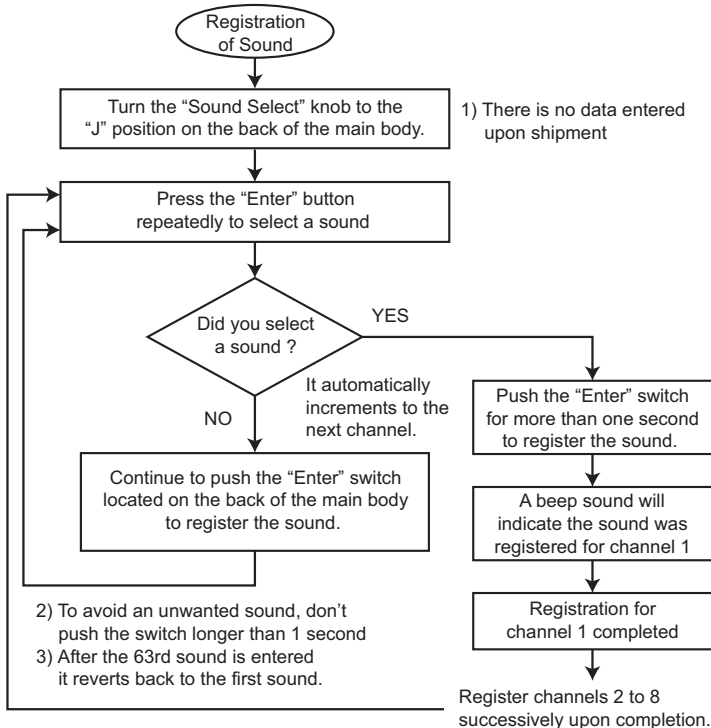
| Model                | XVS 14BMW  |           |
|----------------------|--|-----------|
| Rated power voltage  | 12 V   | 24 V      |
| Voltage range        | 10...15 V  | 19...29 V |
| Current consumption  | 350 mA   | 400 mA    |
| Rated output         | 2 W  |           |
| Sound pressure level | 105 dB (at 1 m) *  |           |
| Sound input mode     | Bit input (operation mode 1-3) : 8<br>Binary input (operation mode) : 63 kinds |           |
| Rated time           | Continuous   |           |
| Temperature range    | -10...+50 °C / 14...122 °F   |           |
| Humidity range       | 35...85 % RH (no condensation)   |           |
| Degree of protection | IP53 (dustproof and rainproof)   |           |
| Body color           | Whitish-gray (optional colors : RED, YELLOW)                                   |           |

\* The declared value is the maximum sound pressure. There is a case in the value becoming lower than the sound pressure due to the type of sound or a change in voltage.

Cord Length : 500 mm / 19.68 in  
 Type : VCTF-1 1C (Diameter Ø8.5 mm / Ø0.34 in)  
 Power Cord : UL1007 AWG20  
 Signal Wire : UL1007 AWG22

F SOUND REGISTRATION METHOD

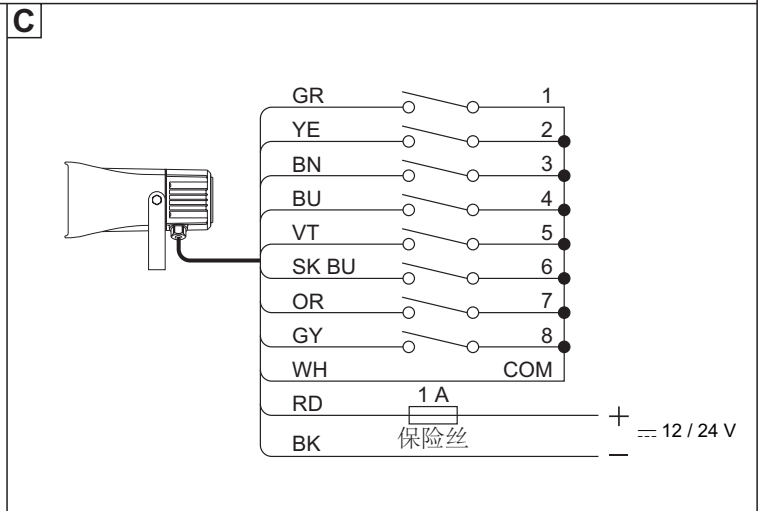
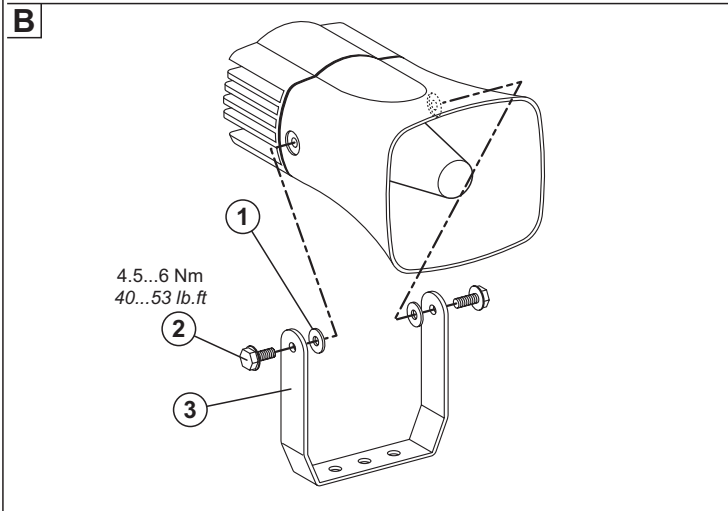
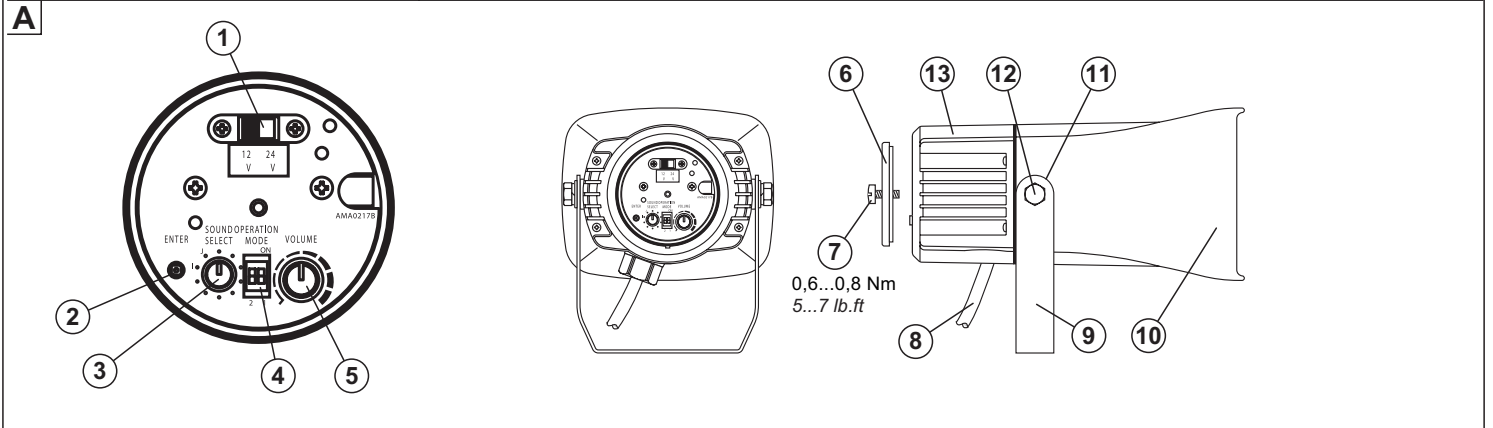
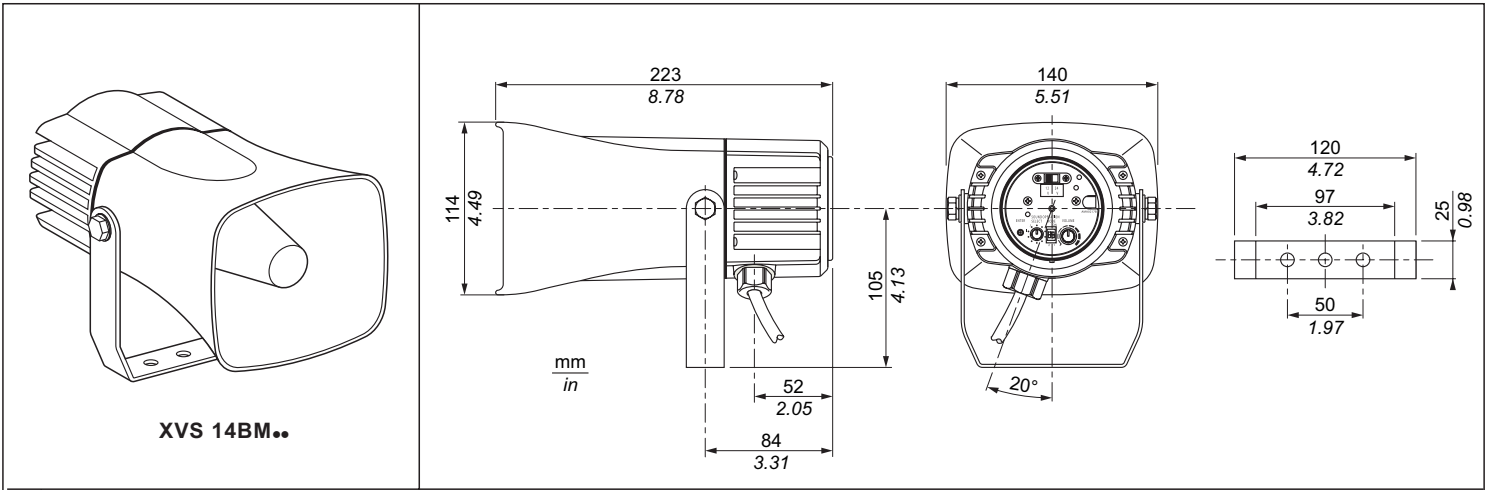
By selecting sound group "J", the option of selecting the sounds from Group A to H can be programmed just by following the flow chart below.



- After pressing the "Enter" button over 1 second, a "Beep" sound will be generated to indicate the registration is completed. For example, if channel 5 was to be registered, the Beep will be heard 5 times, and channel 8 would be sounded 8 times.
- Registration on channel 1 is always priority.
- When the registration is completed up to channel 8, you cannot register any more, and the registered channels will clear if the switch is made from "I" to "J" again.
- When the desired registration is completed, for example, only from channel 1 to 3, the data from channel 1 to 3 is recorded when you change the sound group switch to "I".

G TABLE OF BUILT IN SOUNDS

| Binary input mode | Bit input control mode |  | Sound name                        | Tone description                          | Note       |
|-------------------|------------------------|--|-----------------------------------|---|------------|
|                   | Sound channel          | Wire color (Ch. N°)  |                                   |   |            |
| 1                 | Green (1)              | Alarm  | Alarm (Fire)                      | Alarm (Fire)                              |            |
| 2                 | Yellow (2)             | Electric Bell  | Electric Bell                     | Rapid piercing pulse with break in rhythm |            |
| 3                 | Brown (3)              | Police Siren   | Police Siren                      | European Police siren sound               |            |
| 4                 | Blue (4)               | Flicker Sound  | Flicker Sound                     | High pitched 3 beat ring                  |            |
| 5                 | Violet (5)             | Siren  | Siren                             | Siren (Ambulance)                         |            |
| 6                 | Sky-blue (6)           | Buzzer   | Buzzer                            | Rapid low pitch buzzer                    |            |
| 7                 | Orange (7)             | Pulse  | Pulse                             | Rapid, high pitched fading in and out     |            |
| 8                 | Gray (8)               | Pulse  | Pulse                             | Sharp high pitch                          |            |
| 9                 | Green (1)              | Alarm  | Alarm                             | High pitch, fading in and out alarm       |            |
| 10                | Yellow (2)             | Emergency Bell   | Emergency Bell                    | Rapid vibrating, high pitched buzzer      |            |
| 11                | Brown (3)              | Warning Bell   | Warning Bell                      | Steady, high pitched pulse                |            |
| 12                | Blue (4)               | Ping-pong Sound  | Ping-pong Sound                   | Slow, high-low long like a doorbell       |            |
| 13                | Violet (5)             | Buzzer Sound   | Buzzer Sound                      | Steady, low pitched                       |            |
| 14                | Sky-blue (6)           | Electronic Bell  | Electronic Bell                   | Rapid, like the Shinkansen platform sound |            |
| 15                | Orange (7)             | Pinpon Sound   | Pinpon Sound                      | Rapid high-low pulse                      |            |
| 16                | Gray (8)               | Car Horn Sound   | Car Horn Sound                    | Long sounding                             |            |
| 17                | Green (1)              | Space Invader Sound  | Space Invader Sound               | Rapid sounding                            |            |
| 18                | Yellow (2)             | Timpani Melody   | Timpani Melody                    | Melody-like sound                         |            |
| 19                | Brown (3)              | Ringing Sound  | Ringing Sound                     | High pitched soft ring                    |            |
| 20                | Blue (4)               | Big Ben Chime  | Big Ben Chime                     | Like the Big Ben in London                |            |
| 21                | Violet (5)             | Laser Gun Sound  | Laser Gun Sound                   | Pulsating sound                           |            |
| 22                | Sky-blue (6)           | Soft Organ-like Sound  | Soft Organ-like Sound             | Tararara...                               |            |
| 23                | Orange (7)             | Cuckoo Bird Sound  | Cuckoo Bird Sound                 | Cuckoo-cuckoo...                          |            |
| 24                | Gray (8)               | Bush Warbler Bird Sound  | Bush Warbler Bird Sound           | Hoo-hoo-kekyo...                          |            |
| 25                | Green (1)              | Railway Crossing   | Railway Crossing                  | Short burst ringing sound                 |            |
| 26                | Yellow (2)             | Laser Gun Sound  | Laser Gun Sound                   | Laser sounding pulse                      | Same as 21 |
| 27                | Brown (3)              | Melody Sound   | Melody Sound                      | Do-re-mi-fa-sol                           |            |
| 28                | Blue (4)               | Melody Sound   | Melody Sound                      | Do-mi-sol                                 |            |
| 29                | Violet (5)             | Melody Sound   | Melody Sound                      | So-mi-sol-do                              |            |
| 30                | Sky-blue (6)           | Melody Sound   | Melody Sound                      | Do-fa-sol-do                              |            |
| 31                | Orange (7)             | Melody Sound   | Melody Sound                      | Do-mi-sol                                 |            |
| 32                | Gray (8)               | Melody Sound   | Melody Sound                      | Do-sol-mi-do                              |            |
| 33                | Green (1)              | Alarm (Fire)   | Alarm (Fire)                      | Wee-wee-wee...                            | Same as 1  |
| 34                | Yellow (2)             | Buzzer Sound   | Buzzer Sound                      | bee-bee-bee...                            | Same as 13 |
| 35                | Brown (3)              | Railway Crossing   | Railway Crossing                  | Short burst ringing sound                 | Same as 25 |
| 36                | Blue (4)               | Laser Gun Sound  | Laser Gun Sound                   | Pulse sound                               | Same as 21 |
| 37                | Violet (5)             | Flicker Sound  | Flicker Sound                     | High Pitched 3 beat ring                  | Same as 4  |
| 38                | Sky-blue (6)           | Electronic Bell  | Electronic Bell                   | Rapid, piercing with break in rhythm      | Same as 2  |
| 39                | Orange (7)             | Doorbell Sound   | Doorbell Sound                    | Slow, long High-low                       | Same as 12 |
| 40                | Gray (8)               | Car Horn Sound   | Car Horn Sound                    | Long pulse                                | Same as 16 |
| 41                | Green (1)              | PiPo Sound   | PiPo Sound                        | Rapid High-low pulse                      | Same as 15 |
| 42                | Yellow (2)             | Melody Chime   | Melody Chime                      | 4 note chime                              | Same as 20 |
| 43                | Brown (3)              | Cuckoo Bird Sound  | Cuckoo Bird Sound                 | Sound of a Cuckoo bird                    | Same as 23 |
| 44                | Blue (4)               | Bush Warbler Sound   | Bush Warbler Sound                | Sound of a Bush Warbler                   | Same as 24 |
| 45                | Violet (5)             | Alarm  | Alarm                             | Fading in and out Sound                   | Same as 9  |
| 46                | Sky-blue (6)           | Space Invader Sound  | Space Invader Sound               | Rapid like pulse                          | Same as 17 |
| 47                | Orange (7)             | Electronic Bell  | Electronic Bell                   | Rapid, like the Shinkansen platform sound | Same as 14 |
| 48                | Gray (8)               | Pulsating Sound  | Pulsating Sound                   | High sharp pitched sound                  | Same as 8  |
| 49                | Green (1)              | Do   | Do                                | Single music note                         |            |
| 50                | Yellow (2)             | Re   | Re                                | Single music note                         |            |
| 51                | Brown (3)              | Mi   | Mi                                | Single music note                         |            |
| 52                | Blue (4)               | Fa   | Fa                                | Single music note                         |            |
| 53                | Violet (5)             | Sol  | Sol                               | Single music note                         |            |
| 54                | Sky-blue (6)           | La   | La                                | Single music note                         |            |
| 55                | Orange (7)             | Si   | Si                                | Single music note                         |            |
| 56                | Gray (8)               | Do (One Octave)  | Do (One Octave)                   | Single music note                         |            |
| 57                | Green (1)              | 0.60 sec. delay  | 0.60 sec. delay                   | soundless for 0.60 seconds                |            |
| 58                | Brown (3)              | 0.90 sec. delay  | 0.90 sec. delay                   | soundless for 0.90 seconds                |            |
| 59                | Blue (4)               | 1.20 sec. delay  | 1.20 sec. delay                   | soundless for 1.20 seconds                |            |
| 60                | Violet (5)             | La   | La                                | Single music note (1 Octave Lower)        |            |
| 61                | Sky-blue (6)           | Si   | Si                                | Single music note (1 Octave Lower)        |            |
| 62                | Orange (7)             | Re   | Re                                | Single music note (1 Octave Higher)       |            |
| 63                | Gray (8)               | Mi   | Mi                                | Single music note (1 Octave Higher)       |            |
|                   | Green (1)              | Optional Registration (Channel 1)  | Optional Registration (Channel 1) |   |            |
|                   | Yellow (2)             | Optional Registration (Channel 2)  | Optional Registration (Channel 2) |   |            |
|                   | Brown (3)              | Optional Registration (Channel 3)  | Optional Registration (Channel 3) |   |            |
|                   | Blue (4)               | Optional Registration (Channel 4)  | Optional Registration (Channel 4) |   |            |
|                   | Violet (5)             | Optional Registration (Channel 5)  | Optional Registration (Channel 5) |   |            |
|                   | Sky-blue (6)           | Optional Registration (Channel 6)  | Optional Registration (Channel 6) |   |            |
|                   | Orange (7)             | Optional Registration (Channel 7)  | Optional Registration (Channel 7) |   |            |
|                   | Gray (8)               | Optional Registration (Channel 8)  | Optional Registration (Channel 8) |   |            |
|                   | J                      | Registration Mode-Set the switch to "J" to record the sounds of your choice, then select the "I" position to play them back. |                                   |   |            |



电气设备的安装、操作、维修和维护工作仅限于合格人员执行。  
对于使用本资料所引发的任何后果, Schneider Electric 概不负责

**▲ 注意**

设备损伤

- 使用本设备前请关闭电源。
- 在湿度范围为 35 % RH 到 85 % RH 的环境中安装单元。
- 不要在强电磁场附近使用。

不遵照这些说明操作可能会导致严重的人身伤害或设备损坏。

**CS** 喇叭

**A** 部件名称

- ① 电压选择
- ⑥ 后盖
- ⑪ 树脂垫圈
- ② “Enter” 按钮
- ⑦ 后盖螺钉
- ⑫ 角度固定螺栓
- ③ 声音选择
- ⑧ 电缆
- ⑬ 机身
- ④ 操作模式
- ⑨ 安装托架
- ⑤ 音量
- ⑩ 喇叭

**B** 安装

- ① 树脂垫圈：将它安装在托架和喇叭之间
- ③ 安装托架
- ② 角度固定螺栓

- 将安装托架从喇叭上取下，然后牢牢地安装到坚固的表面，以最大程度地减小振动。
- 将塑料垫圈放于喇叭与安装托架之间，然后通过托架和垫圈安装螺栓，从而将喇叭安装到托架上。
- 安装整个设备，使喇叭倾斜向下。

- 不要安装在强大电磁场附近的位置。这可能导致设备无法正常使用。
- 不要通过快速切换电源的“打开”和“关闭”状态来操控设备。如果要切换，必须至少等待 500 毫秒。请不要切换脉冲小于 10 毫秒的信号输入。如果不遵守以上准则，可能会导致振动或设备无法使用。

**C** 接线

- 旋下外壳螺钉并拆下后盖。
- 使用开关选择 12V 或 24V。
- 装回后盖并确保 O 形环卡入到位，以保持外壳的防护等级。
- 如有必要，可在 O 形环上添加硅润滑油。
- 电源电压应高于信号电压，电流额定值为 50 mA 或更大。
- 将负极电源线连接到黑色导线。
- 将正极电源线连接到红色导线。
- 将外部信号公共端（负极）连接到白色导线。
- 将信号输入连接到预期操作所需的适当导线。
- 未使用的导线末端都要绝缘。
- 此产品没有内部熔断器，因此建议增加一个外部熔断器，以防止产品发生内部损坏。

**D** 操作使用

1) 输入操作说明

- 位输入（操作模式 1 到 3）：  
对于模式 1-3，当输入信号（位）时，声道将播放。打开电源后，连接到外部开关信号时将播放所选声音。
- 二进制输入（操作模式 4）：  
对于模式 4，声道 8（灰线）上的控制信号输入将输入转化为二进制。使用外部开关信号播放所选声道，将相当于电源打开时通过操作声道 1-6 以选择 63 个可能的声音。参见表 1 了解声道选择。

表 1 - 二进制输入模式中的声道

| 声道 | 声道输入信号      |            |            |            |            |            |
|----|-------------|------------|------------|------------|------------|------------|
|    | N° 6<br>天蓝色 | N° 5<br>紫色 | N° 4<br>蓝色 | N° 3<br>褐色 | N° 2<br>黄色 | N° 1<br>绿色 |
| —  |             |            |            |            |            |            |
| 1  |             |            |            |            |            | ●          |
| 2  |             |            |            |            | ●          |            |
| 3  |             |            |            |            | ●          | ●          |
| ⋮  |             |            |            |            |            |            |
| 62 | ●           | ●          | ●          | ●          | ●          |            |
| 63 | ●           | ●          | ●          | ●          | ●          | ●          |

● 信号“打开”状态

2) 操作模式设置

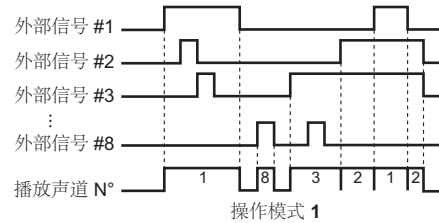
- 以下四种操作模式功能通过下文表格中的 DIP 开关设置指示。信号输入的组合可根据输入模式设置。请在设置前断开电源。
- 模式控制开关位于机身上。打开后盖即可操作开关。参见表 2 了解设置。出厂时操作模式设为第一优先级模式。

表 2 - 操作模式设置

| 操作模式      | 开关状态   | 概要   |
|-----------|--------|--|
| 1. 优先级模式  | 打开<br> | ① 位输入 ② 8<br>③ 最先播放编号最低的声音                   |
| 2. 最近输入模式 | 打开<br> | ① 位输入 ② 8<br>③ 最先播放最近的输入声音                   |
| 3. 单触发模式  | 打开<br> | ① 位输入 ② 8<br>③ 保存输入编号，按输入顺序逐一回放每个声音 3 秒钟     |
| 4. 二进制模式  | 打开<br> | ① 位输入 ② 63<br>③ 播放控制信号输入（灰线），声音通过 6 位二进制代码识别 |

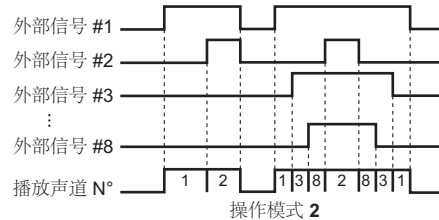
（黑色部分是开关“打开”时的位置）

- 操作模式 1（第一优先级模式）  
- 当外部输入信号持续为高时，声音将持续播放。
- 当同时打开多个外部输入信号时，优先级编号最低的将最先播放。



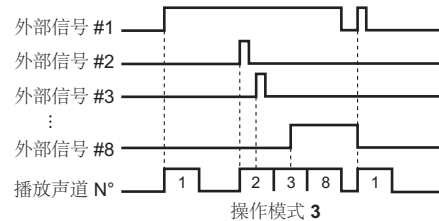
• 操作模式 2（最近输入模式）

- 当打开输入信号时，声音将持续播放。
- 当第一个声道输入仍然打开时输入另一个声道的输入信号，声音将中断，并播放来自另一个声道输入的声音。



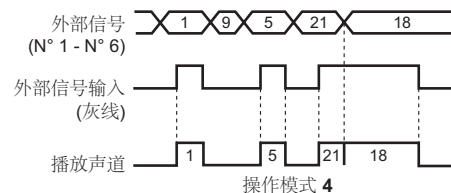
• 操作模式 3（单触发模式）

- 单触发信号（10 毫秒或更长时间）将播放声音，即使在另一个信号持续 3 秒的期间也是如此。
- 在操作过程中它可以存储所有输入信号（最多 31 个输入）并按输入顺序播放声音。

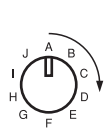


• 操作模式 4（二进制模式）

- 在控制信号输入（灰线）之后，选中该输入后声道输入信号将发出声音。当存在控制信号输入时，最多 63 个声道可以组合起来（6 位二进制代码）发出声音。（参见表 1）
- 当存在外部信号输入和控制信号输入时，将播放声音。



3) 声音组设置



- 去掉了盖后，打开位于喇叭后面机身上的开关，选择组 A-I (参见第 7 章：内置声音表)。
- 对于操作模式 4 (二进制模式)，为了正常运行必须将声音组选为“组 A”。
- 声音组 (I) 是可选输入 (参见第 6 章：声音注册方法)

4) 音量调整



- 调整音量，音量位于机身后方。
- 出厂时将此单元设置为最大音量。

E 特征

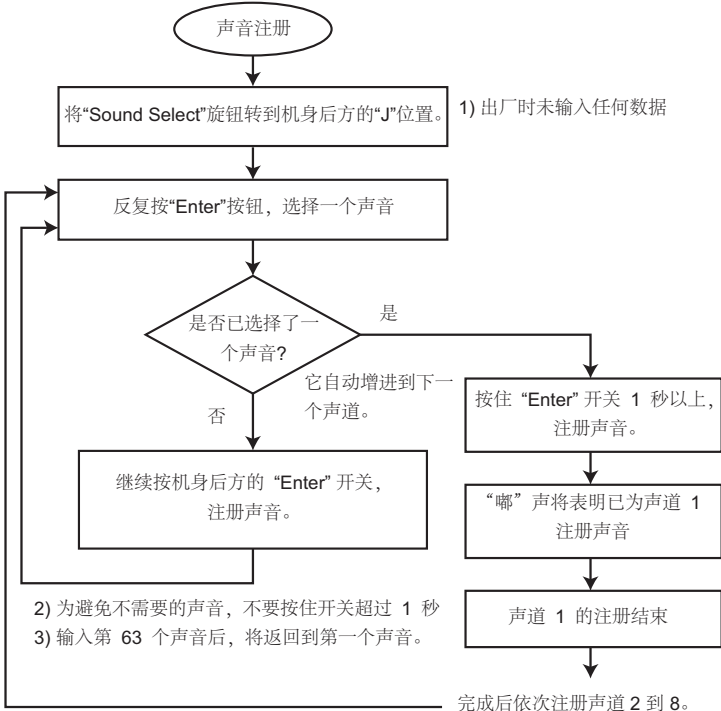
| 型号     | XVS 14BMW  |           |
|--------|--|-----------|
| 额定电源电压 | == 12 V  | == 24 V   |
| 电压范围   | 10...15 V  | 19...29 V |
| 电流消耗   | 350 mA   | 400 mA    |
| 额定输出   | 2 W  |           |
| 声压级别   | 105 dB (1 m 处) *                                 |           |
| 声音输入模式 | 位输入 (操作模式 1-3) : 8<br>Binary input (操作模式) : 63 种 |           |
| 额定时间   | 持续   |           |
| 温度范围   | -10...+50 °C / 14...122 °F                       |           |
| 湿度范围   | 35...85 % RH (非冷凝)                               |           |
| 防护程度   | IP53 (防尘、防水)                                     |           |
| 机身颜色   | 灰白 (可选颜色: 红色、黄色)                                 |           |

\* 表中公布的值为最大声压。根据具体的声音类型，或者当电压改变时，声压值可能会比表中公布的声压小。

- 电线长度 : 500 毫米 / 19.68 英寸
- 类型 : VCTF-1 1C (直径 Ø8.5 毫米 / Ø0.34 英寸)
- 电源线 : UL1007 AWG20
- 信号线 : UL1007 AWG22

F 声音注册方法

通过选择声音组“J”，只需遵循下方的流程图，就可以为从组 A 到 H 选择声音这一选项编程。



- 按住“Enter”按钮 1 秒以上，将产生一个“嘟”声，表明注册完成。例如，如要注册声道 5，将听到 5 次“嘟”声，而声道 8 将响 8 次。
- 声道 1 的注册总是优先。
- 声道 8 的注册完成后，将无法继续注册。如再次将开关从“I”转到“J”，将清除已注册的声音。
- 必需的注册完成后 (例如仅从声道 1 到声道 3)，当把声音组开关转到“I”时，将记录来自声道 1 到声道 3 的数据。

G 内置声音表

| 二进制输入模式 | 位输入控制模式 |                     | 声音名称                                    | 音调描述                | 备注      |
|---------|---------|---------------------|---|---------------------|---------|
|         | 声道      | 声音组 (电线颜色 (Ch. N°)) |   |                     |         |
| 1       | A       | 绿色 (1)              | 警报                                      | 火警                  |         |
| 2       | A       | 黄色 (2)              | 电铃                                      | 快速、有穿透力的敲击，节奏不连续    |         |
| 3       | A       | 褐色 (3)              | 警笛                                      | 欧洲警笛                |         |
| 4       | A       | 蓝色 (4)              | 拍翅声                                     | 高音 3 敲击             |         |
| 5       | A       | 紫色 (5)              | 汽笛                                      | 汽笛 (救护车)            |         |
| 6       | A       | 天蓝色 (6)             | 蜂鸣器                                     | 急速低音蜂鸣              |         |
| 7       | A       | 橙色 (7)              | 脉冲                                      | 急速高音，渐强渐弱           |         |
| 8       | A       | 灰色 (8)              | 脉冲                                      | 尖锐高音                |         |
| 9       | B       | 绿色 (1)              | 警报                                      | 高音，渐强渐弱的警报声         |         |
| 10      | B       | 黄色 (2)              | 紧急铃                                     | 急速颤动的高音蜂鸣           |         |
| 11      | B       | 褐色 (3)              | 警告铃                                     | 稳定的高音撞击             |         |
| 12      | B       | 蓝色 (4)              | 乒乓球声                                    | 缓慢，高低长音，像门铃         |         |
| 13      | B       | 紫色 (5)              | 蜂鸣                                      | 稳定，低音               |         |
| 14      | B       | 天蓝色 (6)             | 电铃                                      | 急速，像新干线月台上的声音       |         |
| 15      | B       | 橙色 (7)              | 乒乓球声                                    | 急速、高低搏动             |         |
| 16      | B       | 灰色 (8)              | 汽车喇叭声                                   | 长音                  |         |
| 17      | C       | 绿色 (1)              | 太空入侵者声                                  | 快音                  |         |
| 18      | C       | 黄色 (2)              | 定音鼓声                                    | 像音乐一样的声音            |         |
| 19      | C       | 褐色 (3)              | 铃声                                      | 柔和的高音铃声             |         |
| 20      | C       | 蓝色 (4)              | 大本钟钟声                                   | 像伦敦大本钟的钟声           |         |
| 21      | C       | 紫色 (5)              | 激光枪声                                    | 心脏搏动声               |         |
| 22      | C       | 天蓝色 (6)             | 轻柔管风琴声                                  | Tararara...         |         |
| 23      | C       | 橙色 (7)              | 布谷鸟叫声                                   | 咕咕，咕咕...            |         |
| 24      | C       | 灰色 (8)              | 树莺叫声                                    | Hoo-hoo-ke-ke-ke... |         |
| 25      | D       | 绿色 (1)              | 铁路道口警报声                                 | 短促铃声                |         |
| 26      | D       | 黄色 (2)              | 激光枪声                                    | 听起来像激光枪的声音          | 与 21 一样 |
| 27      | D       | 褐色 (3)              | 旋律                                      | Do-re-mi-fa-sol     |         |
| 28      | D       | 蓝色 (4)              | 旋律                                      | Do-mi-sol           |         |
| 29      | D       | 紫色 (5)              | 旋律                                      | So-mi-sol-do        |         |
| 30      | D       | 天蓝色 (6)             | 旋律                                      | Do-fa-sol-do        |         |
| 31      | D       | 橙色 (7)              | 旋律                                      | Do-mi-sol           |         |
| 32      | D       | 灰色 (8)              | 旋律                                      | Do-sol-mi-do        |         |
| 33      | E       | 绿色 (1)              | 火警                                      | Wee-wee-wee...      | 与 1 一样  |
| 34      | E       | 黄色 (2)              | 蜂鸣                                      | bee-bee-bee...      | 与 13 一样 |
| 35      | E       | 褐色 (3)              | 铁路道口警报声                                 | 短促铃声                | 与 25 一样 |
| 36      | E       | 蓝色 (4)              | 激光枪声                                    | 搏动声                 | 与 21 一样 |
| 37      | E       | 紫色 (5)              | 拍翅声                                     | 高音 3 敲击             | 与 4 一样  |
| 38      | E       | 天蓝色 (6)             | 电铃                                      | 快速、有穿透力的敲击，节奏不连续    | 与 2 一样  |
| 39      | E       | 橙色 (7)              | 门铃                                      | 缓慢，长高低              | 与 12 一样 |
| 40      | E       | 灰色 (8)              | 汽车喇叭声                                   | 长音                  | 与 16 一样 |
| 41      | F       | 绿色 (1)              | PIPo 声                                  | 急速、高低搏动             | 与 15 一样 |
| 42      | F       | 黄色 (2)              | 钟声                                      | 4 音符钟声              | 与 20 一样 |
| 43      | F       | 褐色 (3)              | 布谷鸟叫声                                   | 布谷鸟的叫声              | 与 23 一样 |
| 44      | F       | 蓝色 (4)              | 树莺叫声                                    | 树莺的叫声               | 与 24 一样 |
| 45      | F       | 紫色 (5)              | 警报                                      | 渐强渐弱的声音             | 与 9 一样  |
| 46      | F       | 天蓝色 (6)             | 太空入侵者声                                  | 急速，像脉搏              | 与 17 一样 |
| 47      | F       | 橙色 (7)              | 电铃                                      | 急速，像新干线月台上的声音       | 与 14 一样 |
| 48      | F       | 灰色 (8)              | 心脏搏动声                                   | 尖锐的高音               | 与 8 一样  |
| 49      | G       | 绿色 (1)              | Do                                      | 单音符                 |         |
| 50      | G       | 黄色 (2)              | Re                                      | 单音符                 |         |
| 51      | G       | 褐色 (3)              | Mi                                      | 单音符                 |         |
| 52      | G       | 蓝色 (4)              | Fa                                      | 单音符                 |         |
| 53      | G       | 紫色 (5)              | Sol                                     | 单音符                 |         |
| 54      | G       | 天蓝色 (6)             | La                                      | 单音符                 |         |
| 55      | G       | 橙色 (7)              | Si                                      | 单音符                 |         |
| 56      | G       | 灰色 (8)              | Do (一个八度音)                              | 单音符                 |         |
| 57      | H       | 绿色 (1)              |   |                     |         |
| 58      | H       | 黄色 (2)              | 0.60 秒延迟                                | 0.60 秒无声            |         |
| 59      | H       | 褐色 (3)              | 0.90 秒延迟                                | 0.90 秒无声            |         |
| 60      | H       | 蓝色 (4)              | 1.20 秒延迟                                | 1.20 秒无声            |         |
| 61      | H       | 紫色 (5)              | La                                      | 单音符 (1 个低八度音)       |         |
| 62      | H       | 天蓝色 (6)             | Si                                      | 单音符 (1 个低八度音)       |         |
| 63      | H       | 橙色 (7)              | Re                                      | 单音符 (1 个高八度音)       |         |
| 64      | H       | 灰色 (8)              | Mi                                      | 单音符 (1 个高八度音)       |         |
| 65      | I       | 绿色 (1)              | 可选注册 (声道 1)                             |                     |         |
| 66      | I       | 黄色 (2)              | 可选注册 (声道 2)                             |                     |         |
| 67      | I       | 褐色 (3)              | 可选注册 (声道 3)                             |                     |         |
| 68      | I       | 蓝色 (4)              | 可选注册 (声道 4)                             |                     |         |
| 69      | I       | 紫色 (5)              | 可选注册 (声道 5)                             |                     |         |
| 70      | I       | 天蓝色 (6)             | 可选注册 (声道 6)                             |                     |         |
| 71      | I       | 橙色 (7)              | 可选注册 (声道 7)                             |                     |         |
| 72      | I       | 灰色 (8)              | 可选注册 (声道 8)                             |                     |         |
| 73      | J       |                     | 注册模式 - 将开关设置到“J”，以记录所选的声音，然后选择“I”位置，回放。 |                     |         |