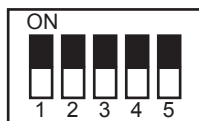
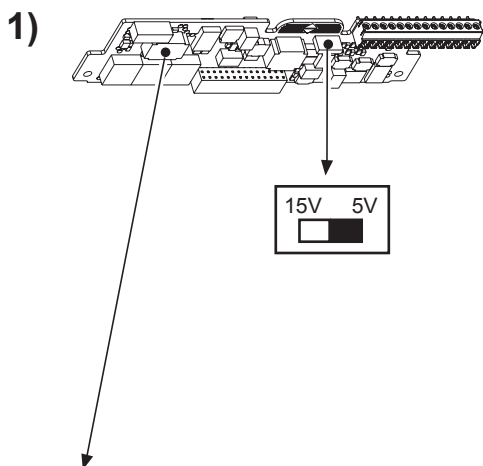
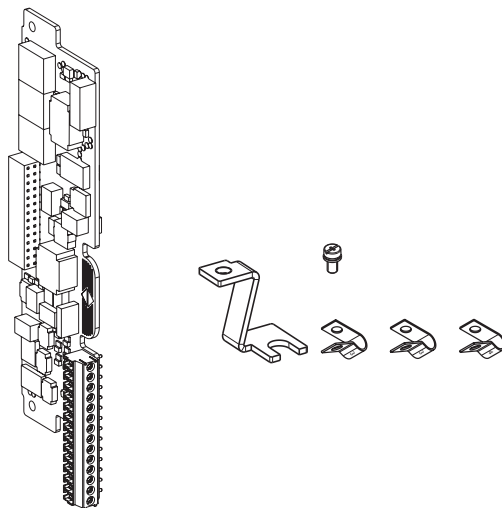




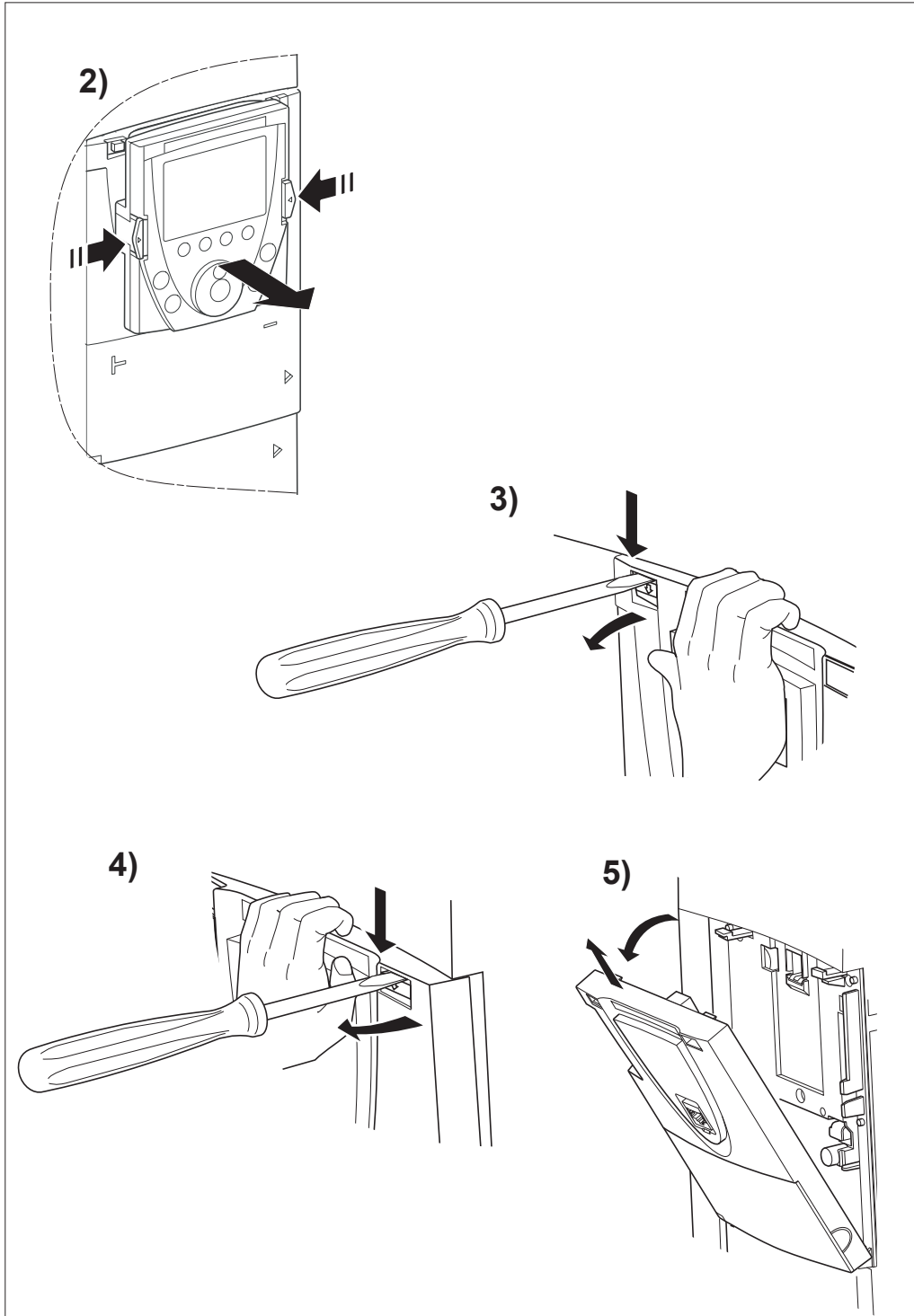
AAV4987502

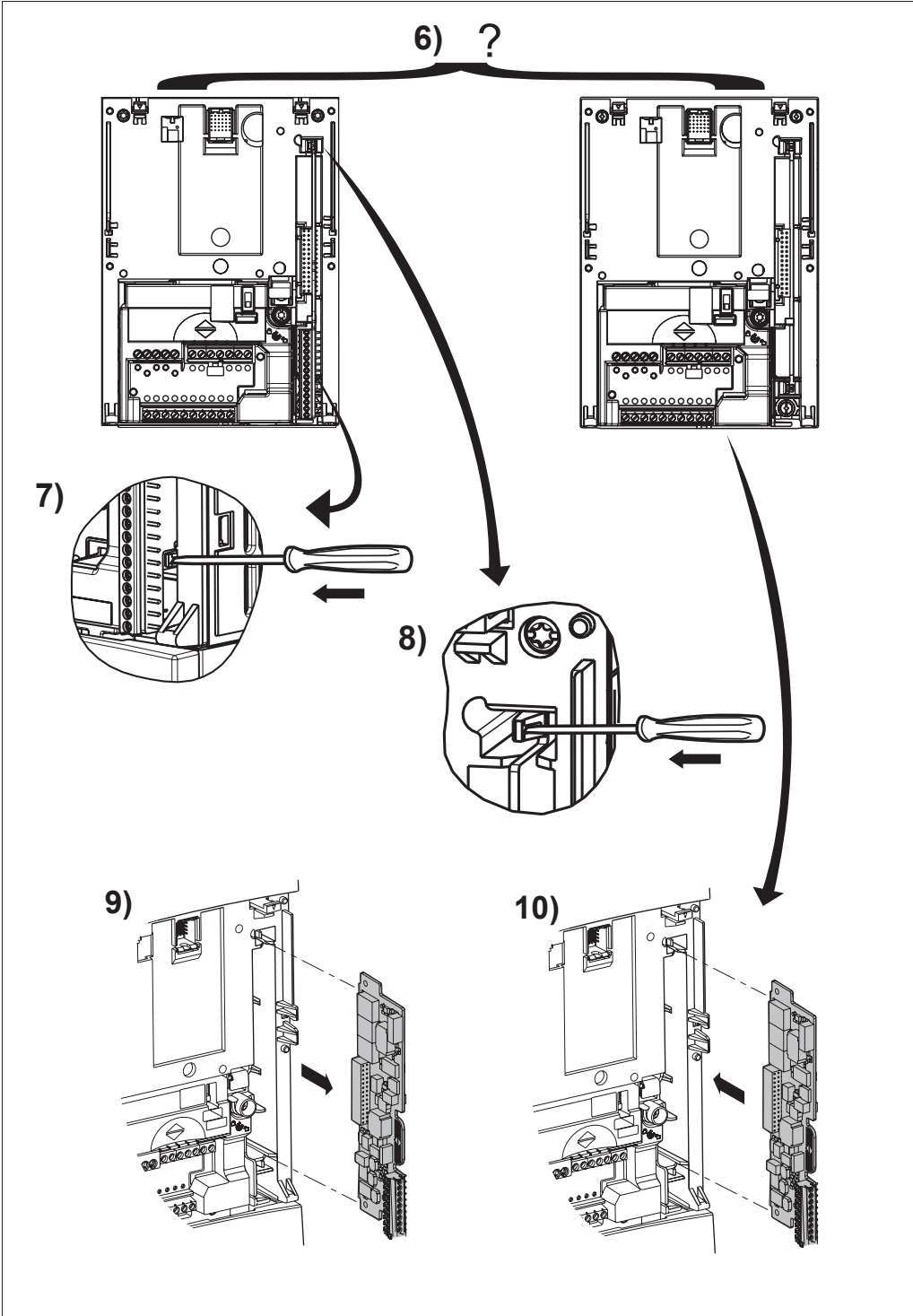
Altivar VW3 A3 411

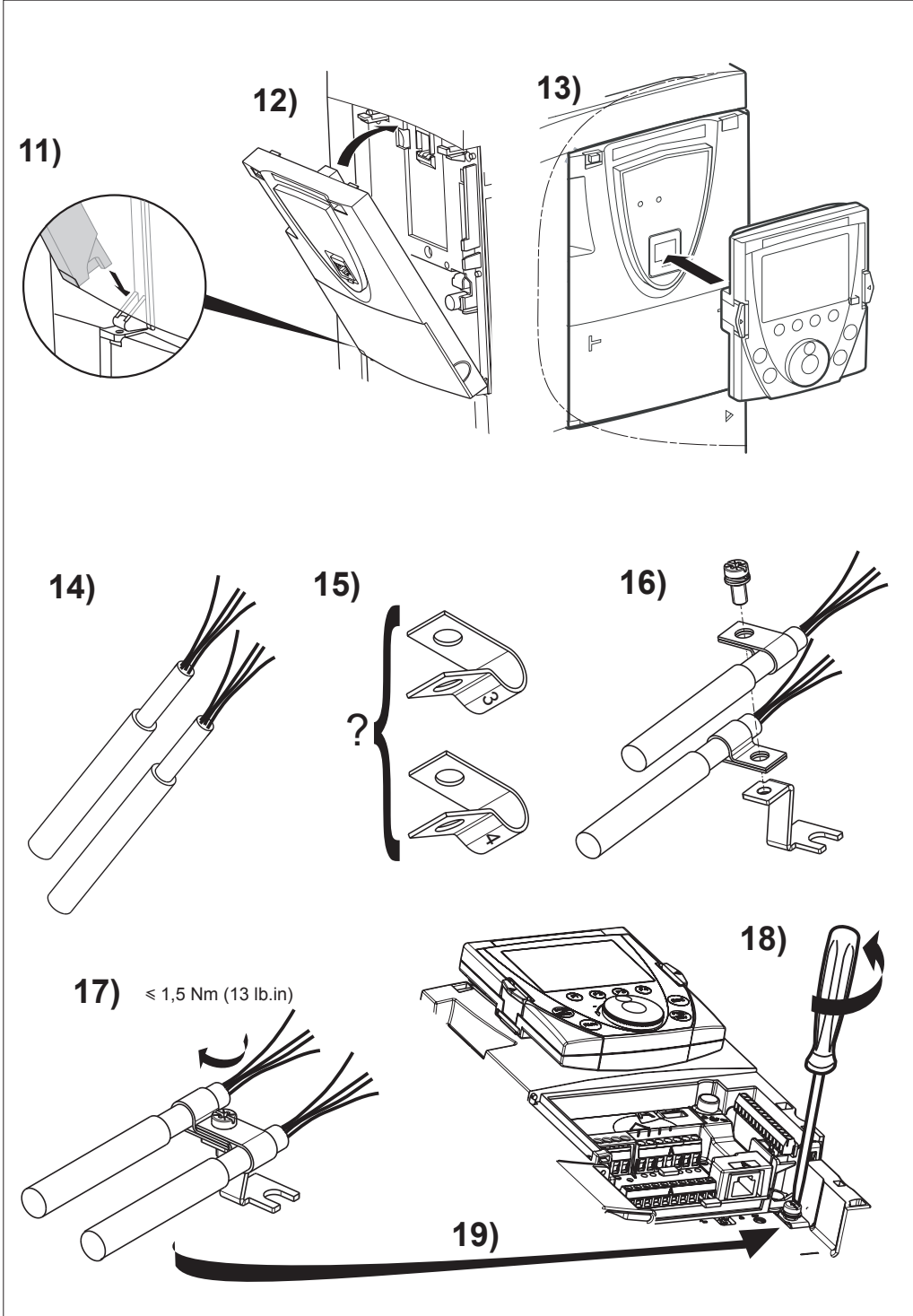


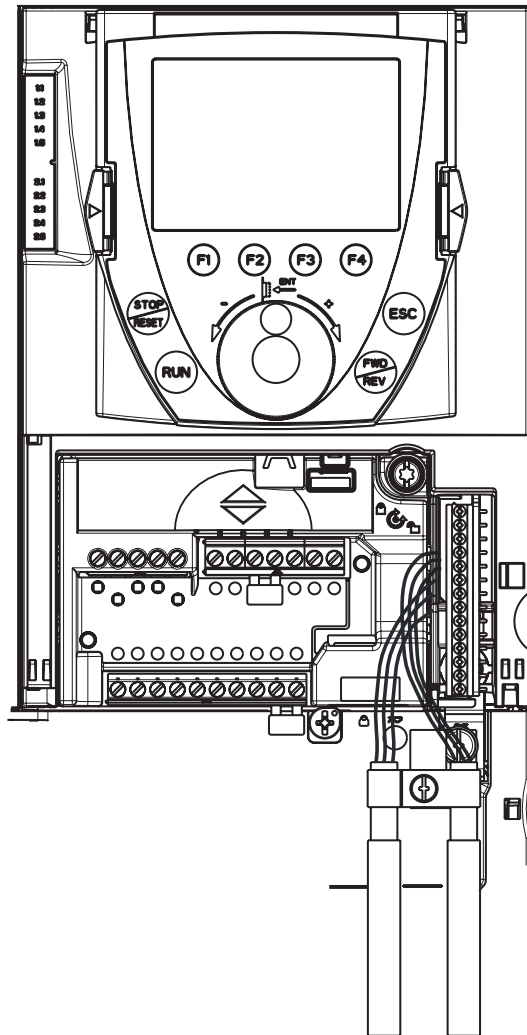
1	2	3	Hz
ON	ON	ON	(OA, OB) = (A, B) /1
ON	ON	OFF	(OA, OB) = (A, B) /2
ON	OFF	ON	(OA, OB) = (A, B) /4
ON	OFF	OFF	(OA, OB) = (A, B) /8
OFF	ON	ON	(OA, OB) = (A, B) /16
OFF	ON	OFF	(OA, OB) = (A, B) /32
OFF	OFF	ON	(OA, OB) = (A, B) /64
OFF	OFF	OFF	(OA, OB) = OFF

4	5	
ON	ON	A, B, Z
ON	OFF	A, B
OFF	ON	A, B
OFF	OFF	A





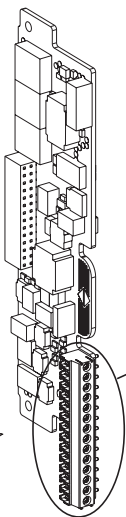




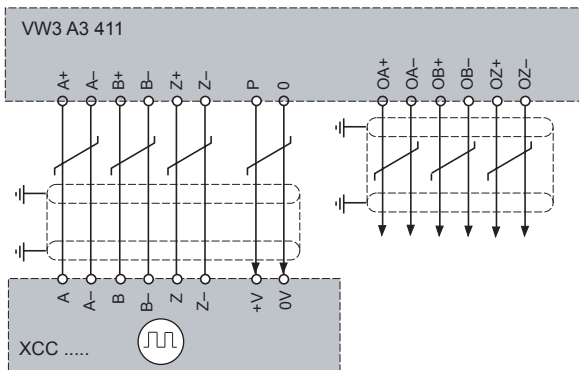
20)

≤ 0,25 Nm (2.21 lb.in)

≤ 1,5 mm² (AWG 16)



○	A+
○	A-
○	B+
○	B-
○	Z+
○	Z-
○	P (+5V / +15V)
○	0 (0V)
○	OA+
○	OA-
○	OB+
○	OB-
○	OZ+
○	OZ-



www.schneider-electric.com

