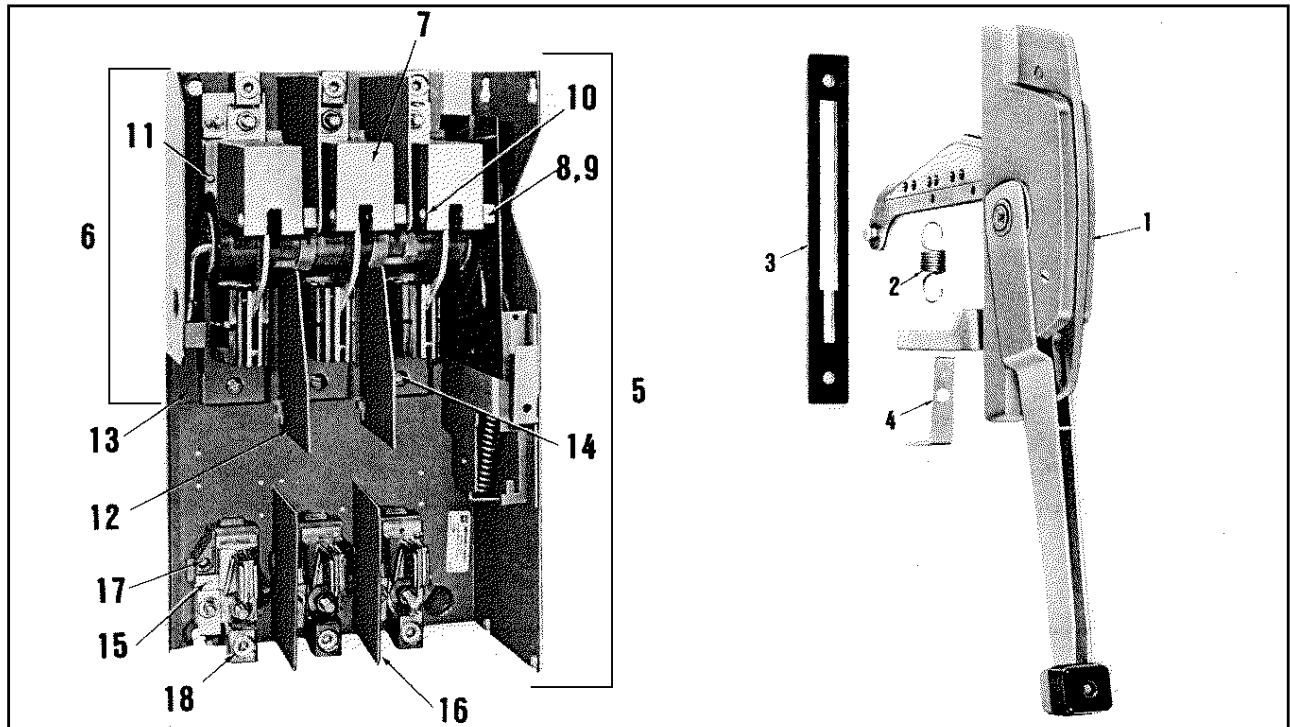




**400 Ampere Disconnect Switches with Flange-Mounted Operating Mechanism  
Used in Classes 8538 and 8738, Type SG, Series A, Size 5, 3-pole  
AC Combination Starters**

**WARNING:** Be sure to open the back-up disconnect device ahead of the combination starter before inspecting or servicing the disconnect switch. Do not operate starter or disconnect switch with arc chamber cover or arc suppressor removed.



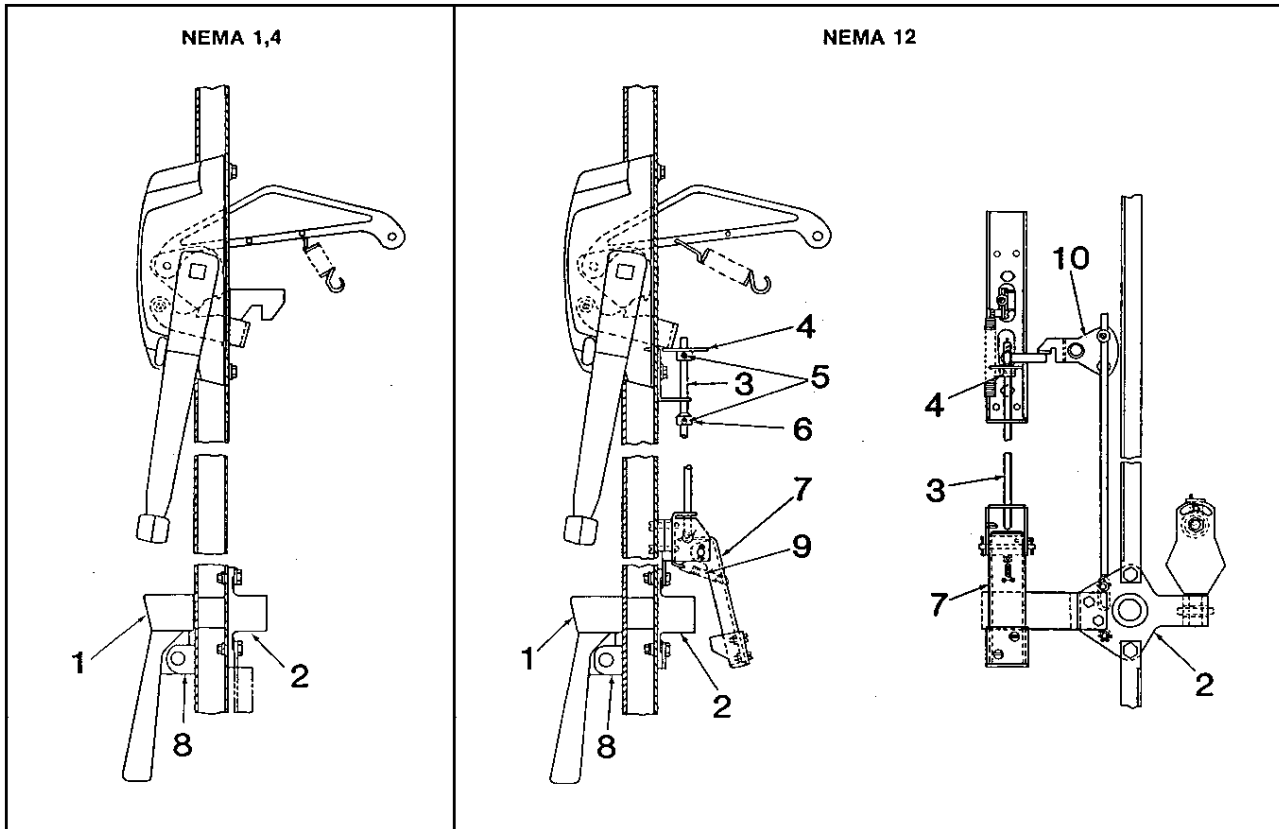
**REPLACEMENT PARTS LIST**

Item	Description	Part Number	Quantity
1	Operating Handle Assembly For NEMA Type 1 and 12 enclosure.....	Class 9422 Type A-5	1
	For NEMA Type 4 enclosure.....	Type A-6	1
2	Spring (included in Item 1).....	40224-004-01	1
3	Gasket (included in Item 1).....	31055-474-01	1
4	Push Rod Guide.....	40512-267-01	1
5	Disconnect Switch Assembly *Non-Fusible.....	Class 9422 Type TG-1	1
	Fusible.....	Type TG-2	1
● 6	Switch Base Assembly, includes Item 7 (does not include lugs) *Non-Fusible.....	40512-278-50▲	3
	Fusible.....	40512-277-50▲	3
● 7	Arc Suppressor.....	40512-057-50▲	3
● 8	Arc Suppressor Insulating Screw.....	40206-007-02▲	3
● 9	Nut for Item 8.....	23001-002-00	3
● 10	Arc Suppressor Pop Rivet.....	40217-040-01▲	3
● 11	Arc Suppressor Mounting Screw.....	21531-10320	9
● 12	Switch Base Insulator.....	40512-279-01▲	2
● 13	Bottom Insulator.....	40512-281-01▲	1
● 14	Switch Base Mounting Screw.....	40206-009-01▲	6
● 15	Lower Fuse Base Assembly (does not include lugs).....	40512-276-50▲	3
● 16	Lower Fuse Base Insulator.....	40512-280-01▲	2
● 17	Lower Fuse Base Mounting Screw.....	40206-009-01▲	6
● 18	Lug Assembly.....	25050-44806	6

\* Not Shown  
▲ Order from Distribution Equipment Division

**ORDERING INSTRUCTIONS**

Specify quantity, part number and description of part.



REPLACEMENT PARTS LIST			
Item	Description	Part Number	Quantity
1	Handle and Shaft Assembly .....	30007-020-51	1
2	Operating Cam Assembly .....	30007-093-57	1
3	Push Rod .....	30007-090-01	1
4	Defeater Assembly .....	30007-190-50	1
5	Set Screw .....	22903-14060	5
6	Stop Collar .....	3017-X18	1
7	Latch Bracket Assembly .....	30007-089-50	1
8	Handle Lock .....	30007-130-01	1
9	Latch Spring .....	3017-X22	1

**ADJUSTMENT PROCEDURE FOR NEMA 12 ENCLOSURES (Refer to drawing above)**

1. With operating handle in the OFF position, and the defeater assembly (4) touching the locking lever (10), adjust push rod (3) so that the latch bracket (7) is at position shown to unlatch door. Secure defeater assembly (4) to push rod (3) by tightening set screws (5).
2. With vault handle (1) in closed position, rotate locking lever (10) to horizontal position and lock in place by tightening set screw.
3. Adjust position of stop collar (6) to prevent push rod (3) from becoming disengaged.

**ELECTRICAL INTERLOCK**

A one or two pole electrical interlock mechanism may be added or replaced on these disconnect switch operating mechanisms. The snap switch only may also be replaced on existing interlock installations. Catalog numbers are shown in Table below.

Electrical Interlock Type	Electrical Interlock Mechanism Complete		Replacement Snap Switch Only	
	Class	Type	Class	Type
Single pole	9999	R35	9007	AO-1
Double pole	9999	R36	9007	CO-3

**ORDERING INFORMATION REQUIRED**

Specify quantity, part number and description of part.

Supersedes Bulletin Dated April, 1982