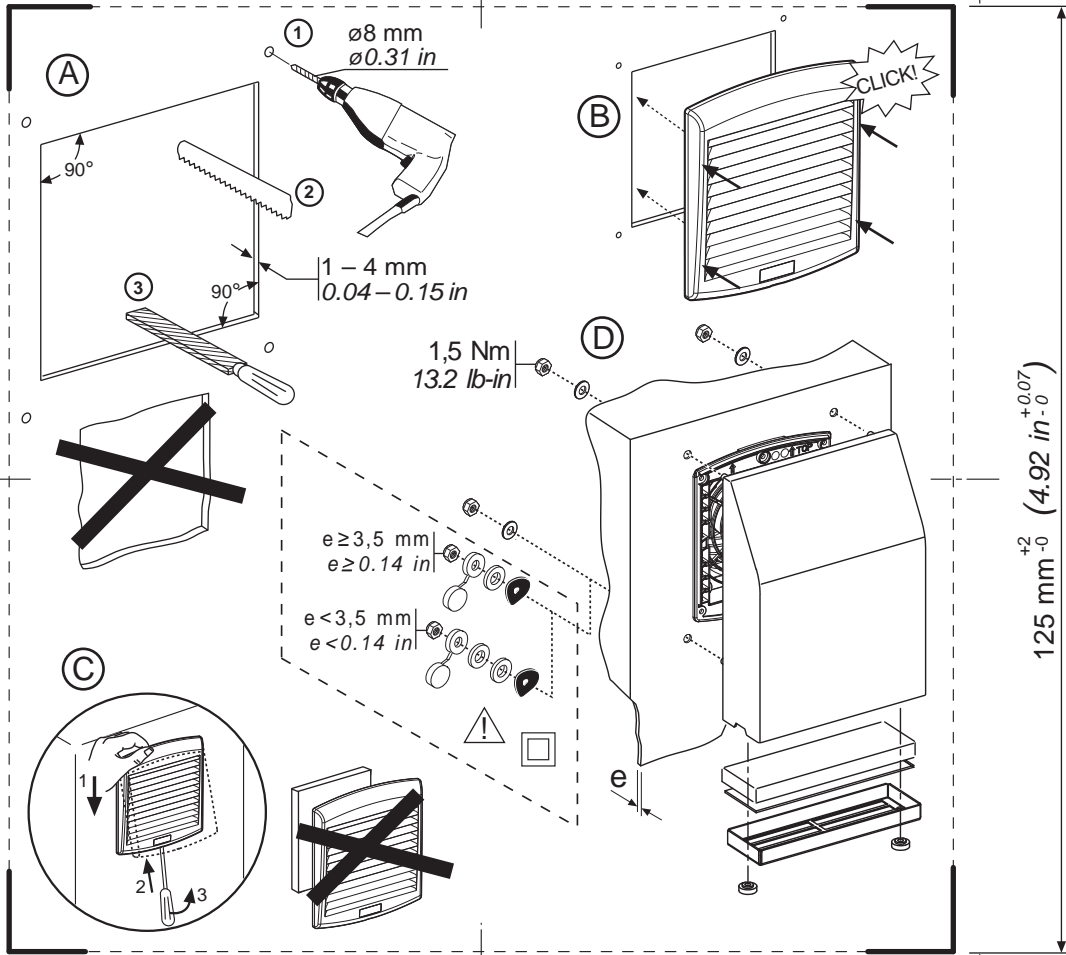


∅8 mm
∅0.31 in

125 mm⁺²₋₀ (4.92 in^{+0.07}₋₀)



125 mm⁺²₋₀ (4.92 in^{+0.07}₋₀)

7364970011