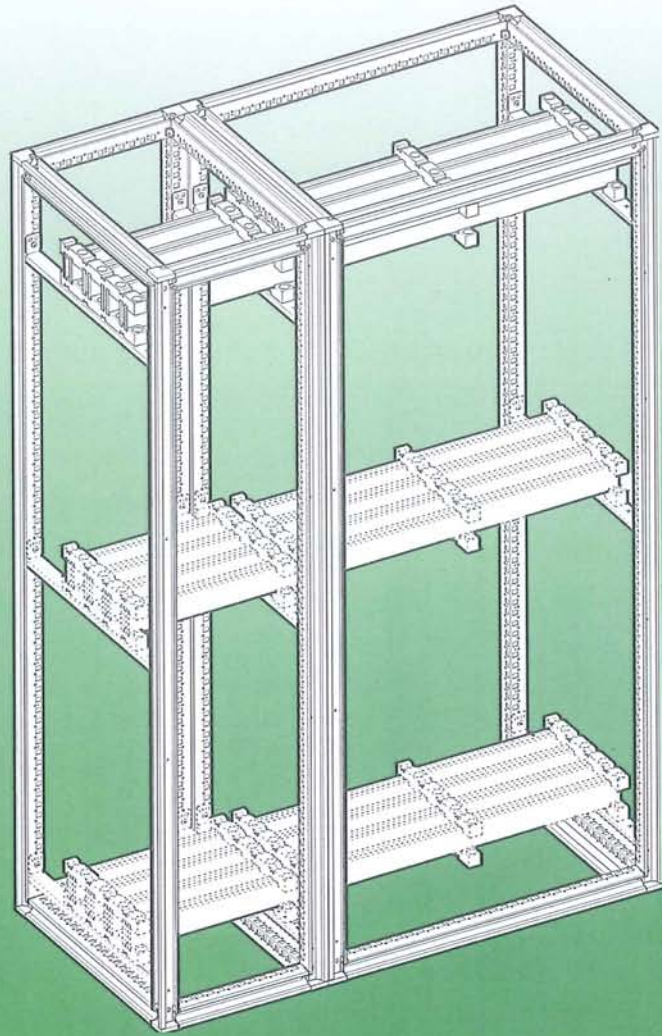








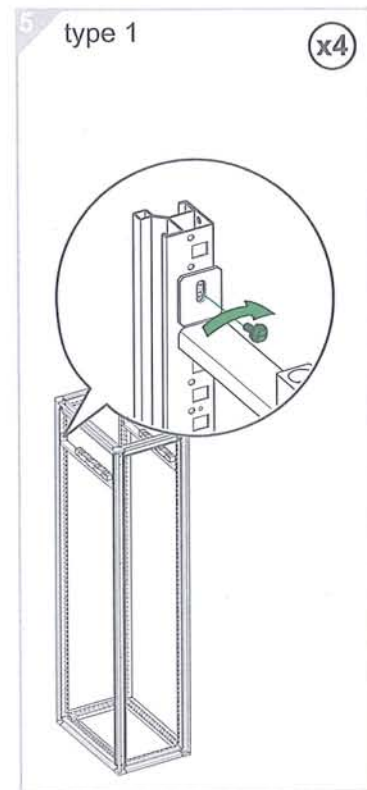
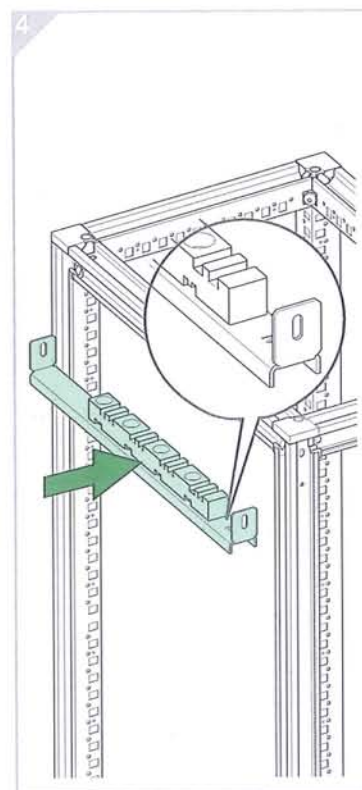
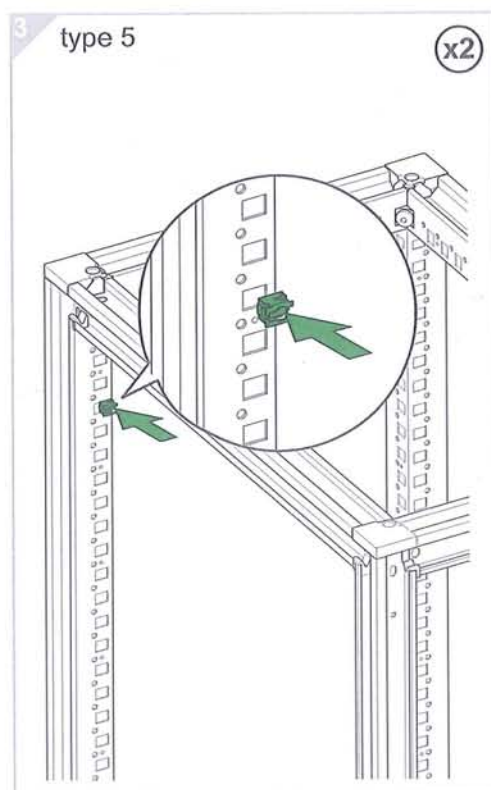
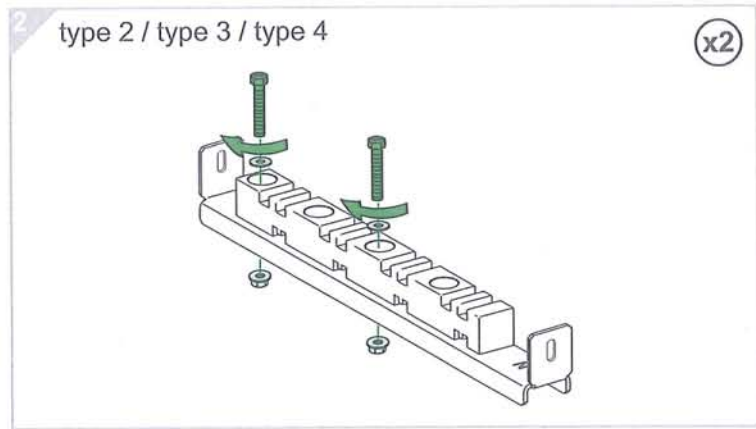
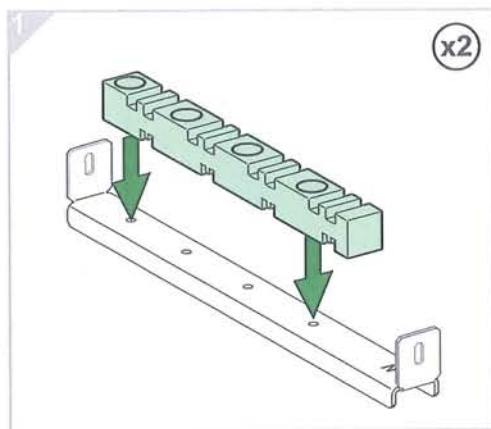
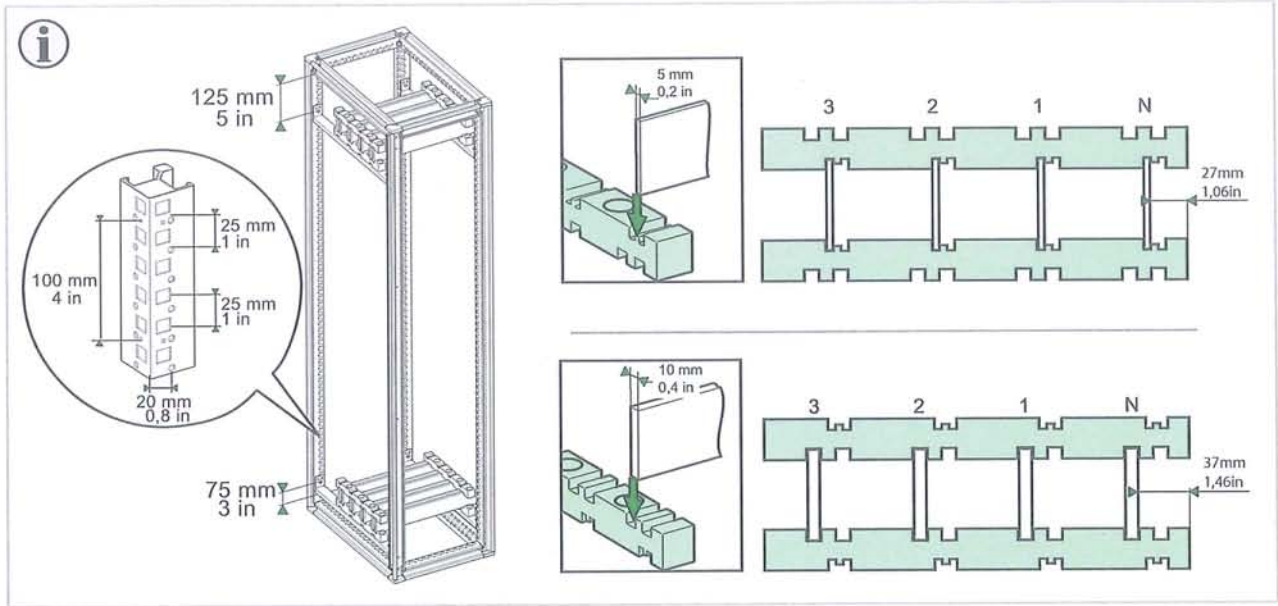
Horizontal Bar Support
Up to 3.200A

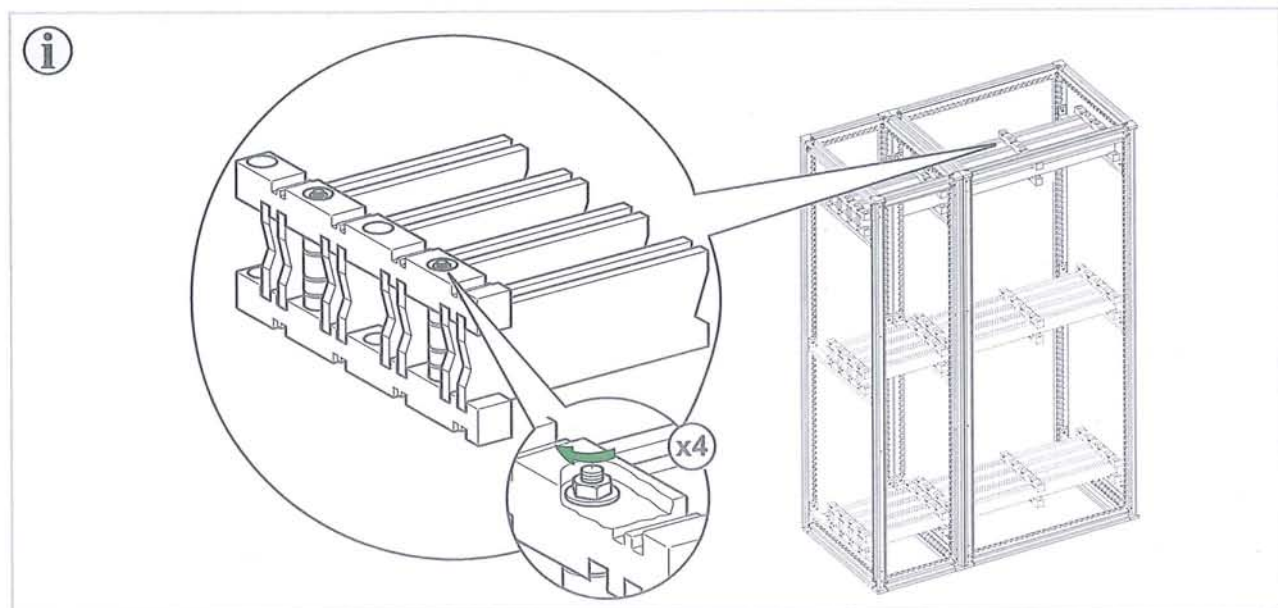
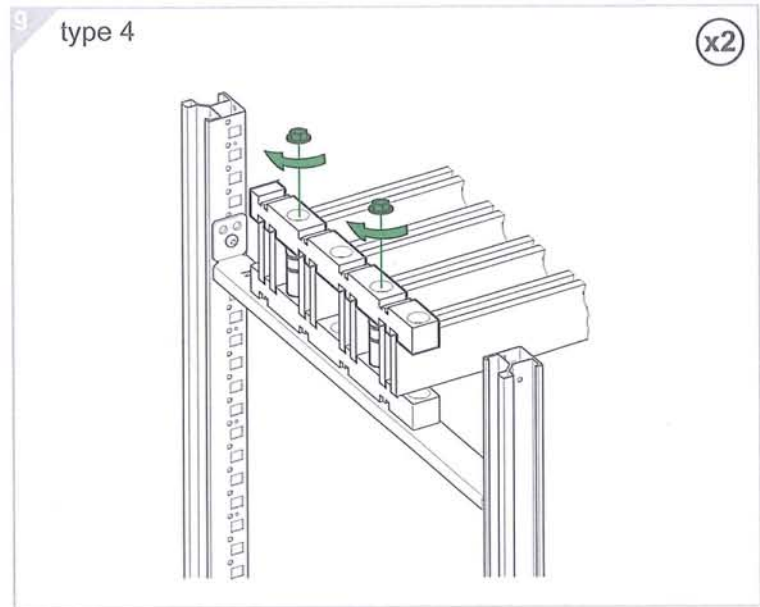
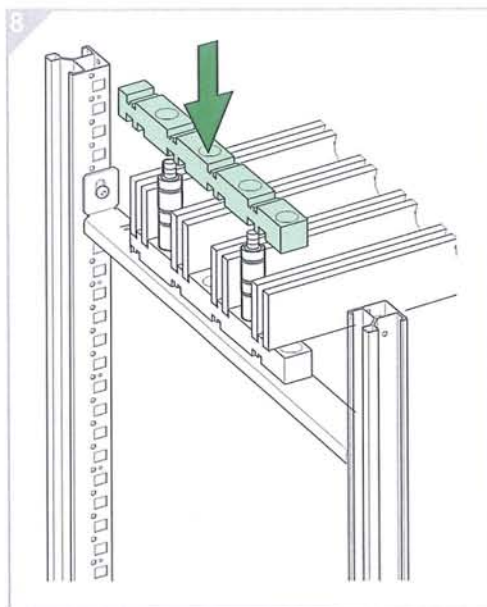
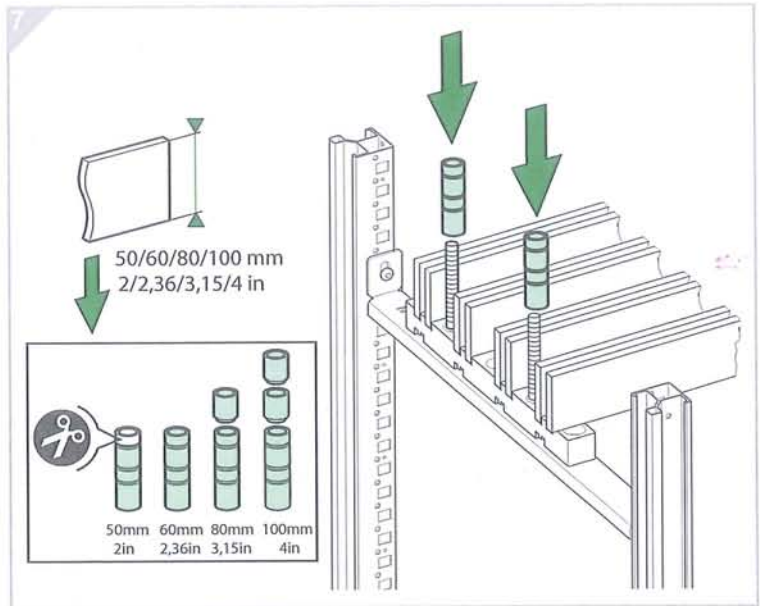
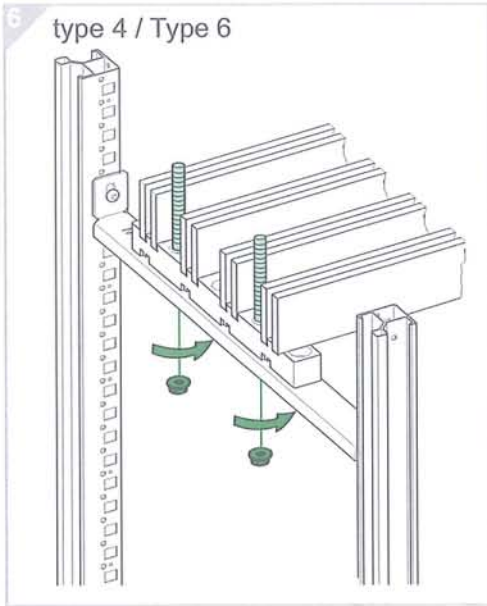
Support Jeu de Barres
Horizontal Jusqu'à 3.200A

Soporte de Barras
Horizontal hasta 3.200A



	type 1 M6 3 Nm 26,55 lb-in		type 2 M6 3 Nm 26,55 lb-in		type 3 diam. 6		type 4 M6 3 Nm 26,55 lb-in		type 5 M6 3 Nm 26,55 lb-in		type 6 M6
---	--	---	--	---	--------------------------	---	--	---	--	---	---------------------





7313800001-A



*Ce document a été imprimé
sur du papier écologique.*
*This document has been
printed on ecological paper.*

Released for Manufacturing
Printed on 2013/04/16

12/01/2010