

# Modicon TSX TIO Installation Instruction 170 BNO 671 00

These instructions are intended for the installer. He should be a skilled person who is familiar with the current standards and safety requirements pertaining to the installation.

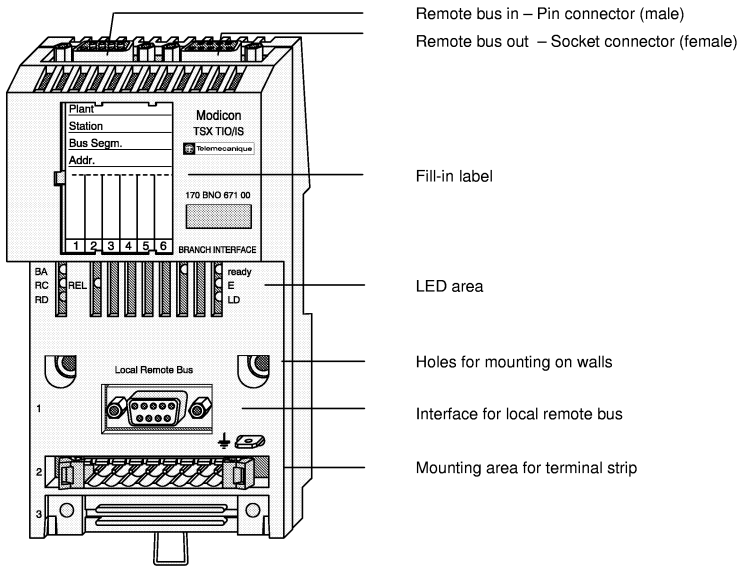
## Characteristics

Module Type	Branch interface
Bus Interface	INTERBUS-S
Length-code.	00 hex
Ident. -No.	0C hex, 12 dec
Nominal Operating Voltage	24 VDC
Nominal Input Current, one point	3 mA at 24 VDC
Maximum Output Current, relay contact	0.2 ...2.0 A at 24 VDC/ 0.5 A at 110 VDC or 125 VAC

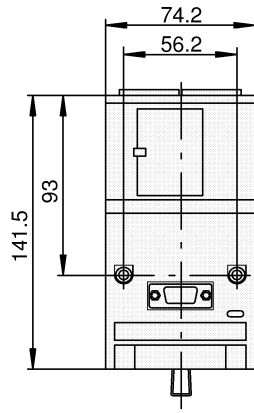
## Related Publications

Terminal Block I/O Modules Hardware Reference Guide	890 USE 104 00
---	----------------

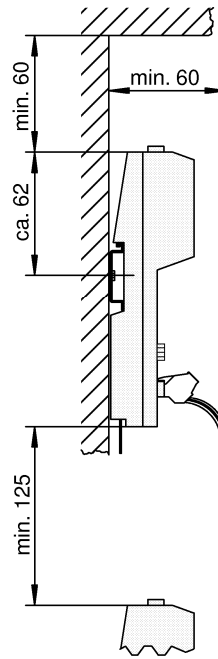
## Front View



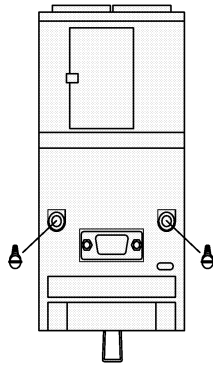
### Dimensions (mm)



Clearances shown are the minimum required for proper air circulation.

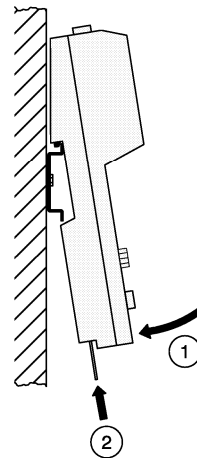


### Mounting on Machine Housing or Wall



The screws make the module's ground connection to the panel.

### Mounting on DIN Rail



A spring terminal on the rear panel makes the electrical contact to the DIN rail.



## Connecting of remote bus

Connector	Color	in	out	Meaning
1	yellow	DO	DO	Data Out
2	gray	DI	DI	Data In
3	brown	GND *	GND *	Ground
4		GND	GND	Ground for fiber optic adapter
8		Vcc	Vcc *	Add. supply for fiber optic
5		Vcc *	Vcc	Supply for fiber optic adapter
6	green	$\overline{DO}$	$\overline{DO}$	Data Out negated
7	pink	$\overline{DI}$	$\overline{DI}$	Data In negated
9			RBST	Connector Code

Pin 9 incoming remote bus not assigned

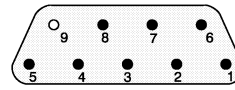
\*) electrically isolated

**Option: Data transfer by fiber optic (for 2 interfaces).**

For connecting neighboring IP20-remote bus nodes we recommend to use standard INTERBUS-S cables:

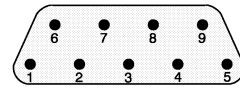
170 MCI 005 00	(5 cm long)
170 MCI 100 00	(100 cm long)

Remote bus in  
Pin connector



● assigned

Remote bus out  
Socket connector



○ not assigned

Link the pins 5 and 9 in the cable of the outgoing remote bus.

For more distant remote bus-nodes please use:

170 XTS 009 00	9-pin DSUB Connector Kit
remote bus cable	(by the meter)

## External Fuses

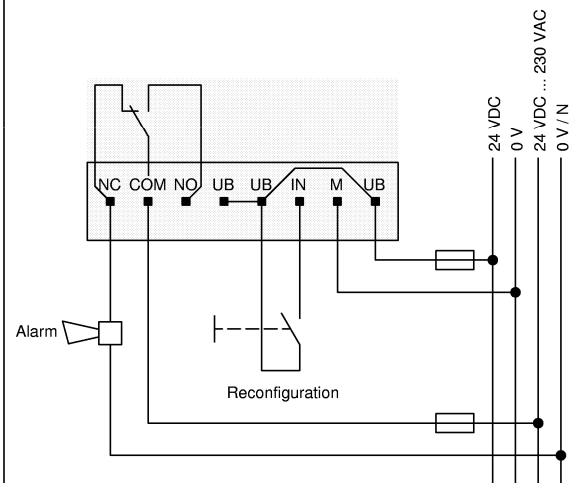
UB supply: 200 mA fast blow.

24 VDC ... 230 VAC supplies: Select a fuse that meets the total supply requirement of the connected devices. The maximum allowable fuse rating is: max. 4 A fast blow.

## Labeling of Terminals

Row	Terminal	Connection	
1	1	NC	Normally closed
1	2	COM	Common for relay contact
1	3	NO	Normally open
1	4, 5, 8	UB	Module operating voltage
1	6	IN	Input point
1	7	M	Module operating voltage return

## Connecting a horn and a push





# Modicon TSX TIO

## Benutzerinformation 170 BNO 671 00

Dieses Dokument richtet sich an Fachkräfte, die mit den geltenden Standards und Sicherheitsbestimmungen für den Einsatzbereich vertraut sind.

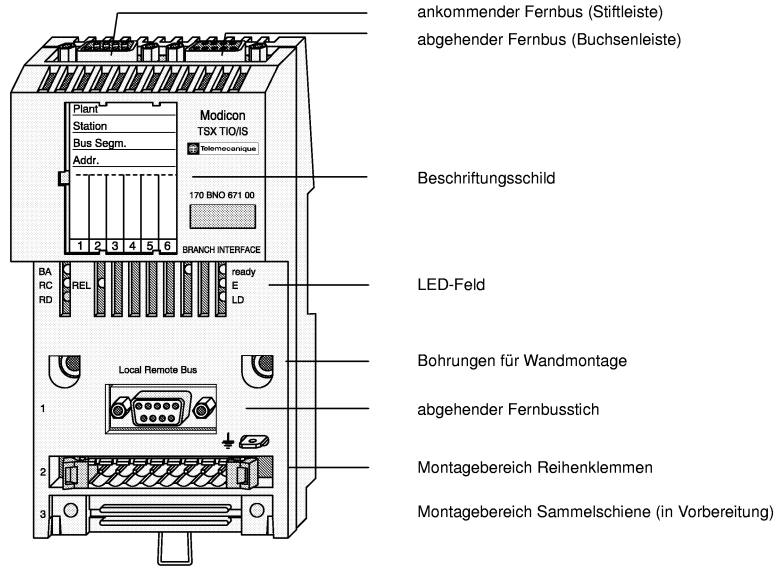
### Kenndaten

Baugruppen Typ	Branch interface
Bus Interface	INTERBUS-S
Längencode	00 hex
Identcode	0C hex, 12 dez
Versorgungsspannung	24 VDC
Eingangsstrom	3 mA bei 24 VDC
Maximaler Schaltstrom, Relais Kontakt	0.2 ...2.0 A bei 24 VDC/ 0.5 A bei 110 VDC oder 125 VAC

### Weiterführende Dokumentation

Benutzerhandbuch INTERBUS-S-Komponenten für Modicon TSX A250, A350, A500 (DOK-700 642)

### Vorderansicht



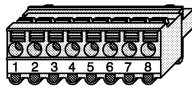
**GROUPE SCHNEIDER**

■ Merlin Gerin ■ Modicon ■ Square D ■ Telemecanique



## Anschluß der Reihenklemmen

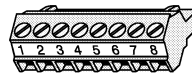
Für die Anschlußreihe 1 wird ein Set Reihenklemmen benötigt.



Reihenklemme (Federzugklemmen)

170 XTS 012 00, Set Federzugklemmen

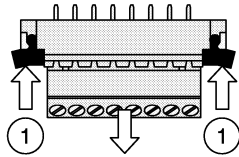
Es ist in folgenden Ausführungen lieferbar:



Reihenklemme (Schraubklemmen)

170 XTS 011 00, Set Schraubsteckklemmen

## Montage und Demontage der Reihenklemmen



Codierung mit Codierkeilen ist aus Sicherheitsgründen erforderlich.  
Codierkeile sind Teil des Set 170 XCP 200 00.



Steckverbinder nur im stromlosen Zustand stecken oder ziehen.





