

Low Voltage Switches

SLSLVS Series

INTRODUCTION

The low voltage push button wall switches can be mounted in commercial or residential wall switch boxes. The SLSLVS series switches are Class 2 devices designed to operate with a Schneider Electric Light Level Sensors, Powerlink[®] and C-Bus[™] Lighting Control systems and Schneider Electric relay panels.

BEFORE YOU BEGIN

Before installing the switches, inspect it carefully. Verify the catalog number on the box label.

Table 1: Components

Part Number	Description	Quantity
SLSLVS*	Low voltage switch SLSLVS1: 1-button SLSLVS1L: 1-button with LED SLSLVS2: 2-button SLSLVS2L: 2-button with LED SLSLVS1R: 1-button relay panel switch SLSLVS2R: 2-button relay panel switch	1
	Installation instructions	1
	Philips head screws for mounting to electrical box	2
	Decora Wall plate	1
	Decora Wall plate Screws	2

POWER INPUT

The SLSLVS1 and SLSLVS2 are equipped with a dry contact switch(s) that pass through voltage from 5-36 VDC.

The SLSLVS1L and SLSLVS2L are also equipped with a dry contact switch(s) and blue LED. The dry contact switch(s) and blue LED operate on 5-36VDC.

The SLSLVS1R and SLSLVS2R are equipped with a reverse polarity circuit and LED for controlling the Schneider Electric relay panels. These switches require 24 VAC supplied by the Schneider Electric relay panel to operate. One SLSLVS1R relay switch can operate up to 4 relays and one SLSLVS2R can operate up to 8 relays.

WIRING DIAGRAMS

Partially strip all conductors 0.8 inch from end, leaving cut insulation on wire to prevent splaying of wire strands.

Figure 1: SLSLVS1 Wiring Diagram

KEY:

- A. Voltage out/Brown
- B. Voltage in/Red

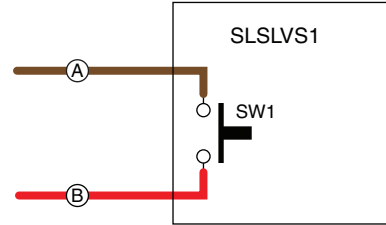


Figure 2: SLSLVS1L Wiring Diagram

KEY:

- A. Voltage out/Brown
- B. Voltage in/Red
- C. (+) Anode/Blue
- D. (-) Cathode/Black

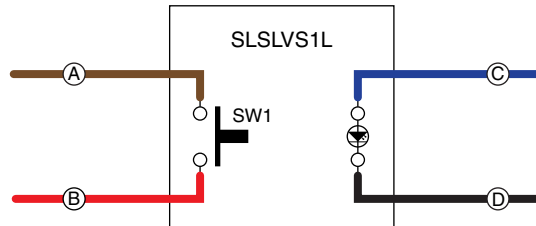


Figure 3: SLSLVS2 Wiring Diagram

KEY:

- A. Voltage out SW1/Brown
- B. Voltage in/Red
- C. Voltage out SW2/Brown-White

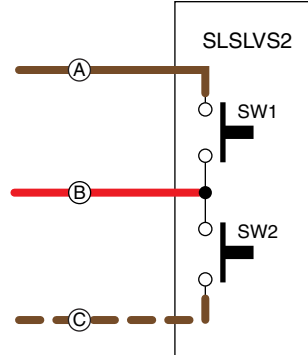


Figure 4: SLSLVS2L Wiring Diagram

KEY:

- A. Voltage out SW1/Brown
- B. Voltage in/Red
- C. Voltage out SW2/Brown-White
- D. (+) Anode LED1/Blue
- E. (-) Cathode LED1/Black
- F. (-) Cathode LED2/Black-White
- G. (+) Anode LED2/Blue-White

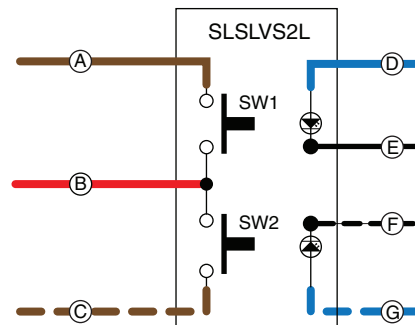


Figure 5: SLSLVS1R Wiring Diagram

KEY:
A. Voltage out/Red
B. Voltage in/Yellow

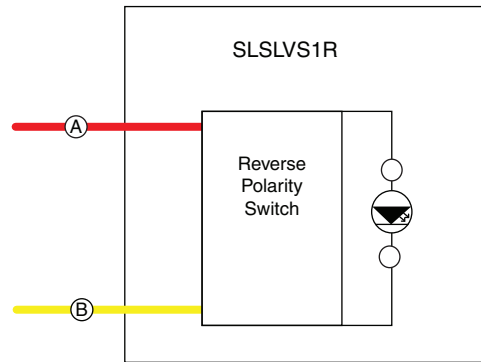
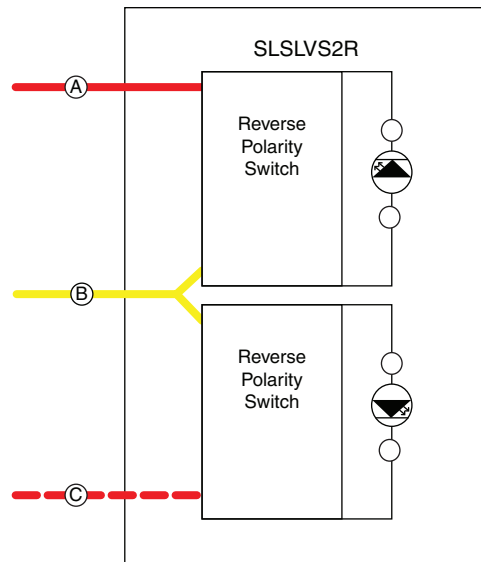


Figure 6: SLSLVS2R Wiring Diagram

KEY:
A. Voltage out SW1/Red
B. Voltage in/Yellow
C. Voltage out SW2/Red-White Stripe



MOUNTING THE SWITCHES

SLSLVS series switches are mounted using standard single-gang wall boxes or plaster rings.

OPERATING THE SWITCHES

The SLSLVS1, SLSLVS2, SLSLVS1L, and SLSLVS2L switches provide a momentary contact during the button press. The switches contact is in an open state when at rest.

The SLSLVS1R and SLSLVS2R switches provide a positive (On) or negative (Off) control signal to the relay during a button press. The switches operate below transition voltage when at rest.

Related Documents

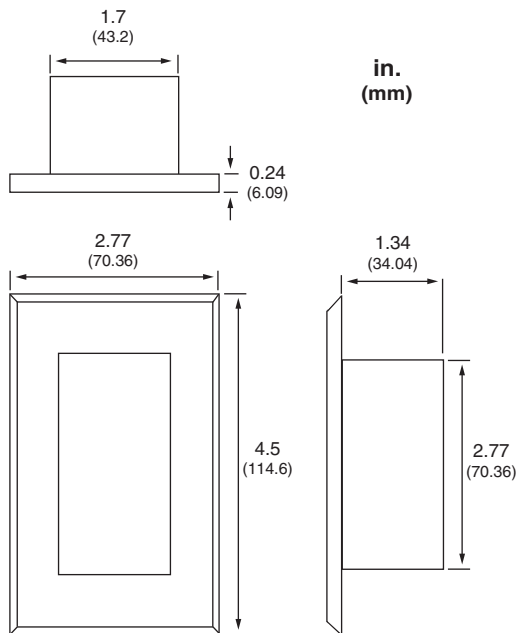
For more information about applying Low Voltage Switches by Schneider Electric refer to the SLSLVS Series Application Data Bulletins located in the online technical library at <http://www.schneider-electric.com>.

SPECIFICATIONS

Table 2: Specifications

Connection type	External wires Gauge: #22 AWG stranded
Number of conductors/switch:	SLSLVS1: 2 SLSLVS1L: 4 SLSLVS2: 3 SLSLVS2L: 7 SLSLVS1R: 2 SLSLVS2R: 3
Switch Operating Range	5-36VDC Max current of 50mA @ 36VDC
LED Operating Range	5-36 VDC Min operating current .150ma @ 5VDC Min operating current .275ma @ 12VDC Min operating current .385ma @ 24VDC Min operating current .470ma @ 36VDC
Conductor temperature rating:	Not specified, select to meet UL Class 2 requirements
Conductor voltage rating:	5 to 36 Volt DC
Conductor length:	6 inches from housing
Temperature	0 – 50 degrees C.
Humidity	Maximum 90% RH non-condensing

DIMENSIONS



Contact the Customer Information Center for technical support by phone at 1-888-778-2733 or e-mail at lightingcontrol.support@us.schneider-electric.com.

Contact your local Schneider Electric service representative for repairs or service to your network.

You may also find helpful information on our web site at www.Schneider-Electric.us.

Schneider Electric, USA
320 Tech Park Drive, Suite 100
La Vergne, TN, 37086
1-888-778-2733
www.schneider-electric.us

Schneider Electric and logo are trademarks or registered trademarks of Schneider Electric and/or its affiliates in the United States and/or other countries.

Electrical equipment should be installed, operated, serviced, and maintained only by qualified personnel. No responsibility is assumed by Schneider Electric for any consequences arising out of the use of this material.

© 2012 Schneider Electric. All Rights Reserved.