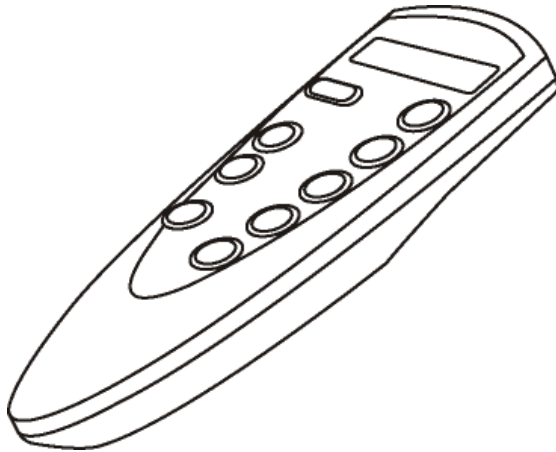


# Clipsal® RF Remote Control

SLC5888TXBD for Use With Clipsal® RF Wireless Control Systems

Instruction Bulletin  
Retain for future use.



## NEW A5 HAZARD CATEGORIES AND SPECIAL SYMBOLS

Read these instructions carefully and look at the equipment to become familiar with the device before trying to install, operate, service, or maintain it. The following special messages may appear throughout this bulletin or on the equipment to warn of potential hazards or to call attention to information that clarifies or simplifies a procedure.



The addition of either symbol to a "Danger" or "Warning" safety label indicates that an electrical hazard exists which will result in personal injury if the instructions are not followed.



This is the safety alert symbol. It is used to alert you to potential personal injury hazards. Obey all safety messages that follow this symbol to avoid possible injury or death.

### DANGER

Danger indicates an immediately hazardous situation which, if not avoided, will result in death or serious injury.

### WARNING

Warning indicates a potentially hazardous situation which, if not avoided, can result in death or serious injury.

### CAUTION

Caution indicates a potentially hazardous situation which, if not avoided, can result in minor or moderate injury.

### NO

Caution, used without the safety alert symbol, indicates a potentially hazardous situation which, if not avoided, can result in property damage or improper operation.

*NOTE: Provides additional information to clarify or simplify a procedure.*

## PLEASE NOTE

Electrical equipment should be installed, operated, serviced, and maintained only by qualified personnel. This document is not intended as an instruction manual for untrained persons. No responsibility is assumed by Square D for any consequences arising out of the use of this manual.

## Class B FCC Statement

This device complies with Part 15 of the FCC Rules. Operation is subject to the following two conditions: (1) this device may not cause harmful interference, and (2) this device must accept any interference received, including interference that may cause undesired operation.

This equipment has been tested and found to comply with the limits for a Class B digital device, pursuant to Part 15 of the FCC Rules. These limits are designed to provide reasonable protection against harmful interference in a residential installation. This equipment generates, uses, and can radiate radio frequency energy and, if not installed and used in accordance with the instructions, may cause harmful interference to radio communications. However, there is no guarantee that interference will not occur in a particular installation. If this equipment does cause harmful interference to radio or television reception, which can be determined by turning the equipment off and on, the user is encouraged to try to correct the interference by one or more of the following measures:

- Reorient or relocate the receiving antenna.
- Increase the separation between the equipment and receiver.
- Connect the equipment into an outlet on a circuit different from that to which the receiver is connected.
- Consult the dealer or an experienced radio/TV technician for help.

Changes or modifications to this device that are not expressly approved by Schneider Electric could void the user's authority to operate this equipment.

## **ABOUT THE RF WIRELESS REMOTE CONTROL**

The Clipsal® RF Wireless Remote Control provides C-Bus™ protocol commands to control buttons on Clipsal RF wireless wall units and plug adapter units.

It is a radio frequency (RF) remote control that works up to 49 to 70 feet (15 to 20 meters) from a unit it controls. Unlike an infrared remote, which operates on line-of-sight, an RF remote signal cannot be blocked by obstructions. The user can control the unit by pointing the remote in any direction, including away from the unit.

Up to ten separate wall units or plug adapter buttons can be controlled by the remote control unit. The buttons can be on various units on different wireless networks. A single button on a wall unit or plug adapter unit can be controlled by up to two RF remote controls.

### **About Clipsal® RF Wireless Systems**

Clipsal® RF Wireless Wall Units include Switches, leading edge Dimmers, and Scene Controllers. The units are designed to replace standard wall switches and dimmers. Each Switch and Dimmer controls one load (lights or other appliances connected to its output). Wall Units can be operated by RF Wireless remote control, and have learn and scene capability.

## Before You Begin

Before you begin to set up a unit, verify that your order is complete by comparing the contents of the package with the appropriate items in the table below. Also verify that the catalog number on the box label matches your order.

### Contents of the Box

**Table 1: Contents of the Box**

Part Number	Description	Quantity
SLC5888TXBD	RF Wireless Remote Control	1
	AAA Batteries	2
	Remote control holder	1
	Screws	2
	Wall anchors	2
	Mounting pads	4

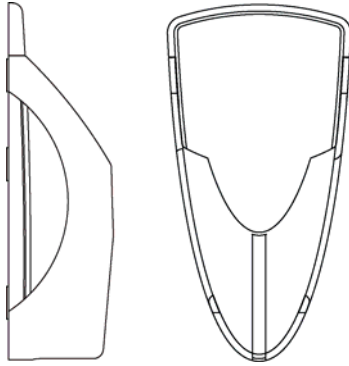
## ATTACHING THE REMOTE CONTROL HOLDER

The Remote Control Holder can hold the RF Wireless Remote Control and the SLC508xTX Series Infrared Remote Control.

**Table 2: Remote Control Holder Dimensions**

Parameter	Description
Dimensions (W x H x D)	2.2 x 4.3 x 1.3 in. (55 mm x 108 mm x 32 mm)
Mounting centers	2.2 to 2.4 in. (55 mm to 60 mm)
Mounting screw size	0.1 x 0.8 in. (3.5 mm x 20 mm)
Wall anchor	0.3 x 1.0 in. (7 mm x 25 mm)
Weight	0.06lbs (28 g)

**Figure 1: Side and Front View of the Remote Control Holder**



The Remote Control Holder is fixed to a surface using screws or double-sided adhesive mounting pads.

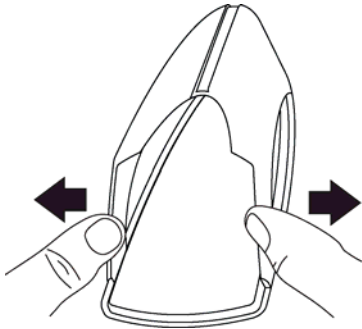
To attach the holder using mounting pads:

1. Peel off the backings from of one side of the mounting pads.
2. Stick the four mounting pads along the "T" on the back of the holder.
3. Peel off the backings from the other side of the mounting pads and press the holder firmly against the wall.

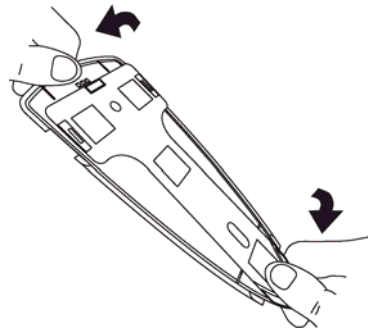
To attach the holder with screws:

1. Gently push the sides of the holder out to remove the cradle section. Refer to the "Removing the Cradle Section" figure.
2. Place one hand on each end of the holder's base. Gently bend the base until the T section pops out. Refer to the "Removing the 'T' Section" figure.

**Figure 2: Removing the Cradle Section**



**Figure 3: Removing the 'T' Section**



3. Hold the T section against the mounting surface and use a pencil to mark the position of the holes on the mounting surface.
4. Drill the holes. (Use a 2mm drill bit for wood, or use a 6.5mm masonry bit when using wall plugs.)
5. Insert the wall plugs (if used). Place the T section against the mounting surface with the countersunk side visible. Screw the T section to the surface.
6. Press the remaining base section onto the T section until it snaps into place.
7. Place the cradle section against the mounting surface (just below the base). Slide the cradle up so that the bottoms of the cradle and base sections meet. Push the sides of the cradle section so they snap into the base.

## REMOTE CONTROL BUTTONS

Remote controls have 5 control buttons. Each control button has two functions. Switch between functions by pressing the Shift button.

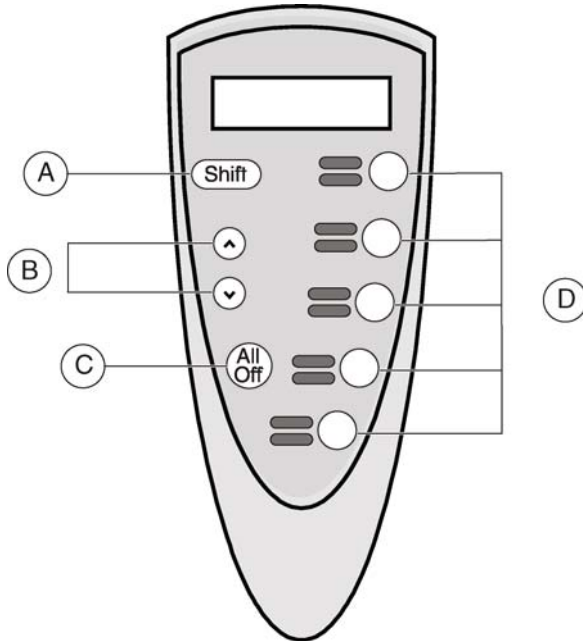
Press the control button of the device, or load to change. Use the Up and Down buttons to adjust the load level.

Use the "All Off" button to switch off every unit that has been associated with the remote control.

**Figure 4: Button Layout**

KEY:

- A. Shift button:  
alternates between the  
two functions of a  
control button
- B. Up and Down  
buttons elevate and  
dim light or load levels
- C. All Off
- D. Control buttons





## INSTALLING THE BATTERIES

To install the 2 x AAA batteries provided:

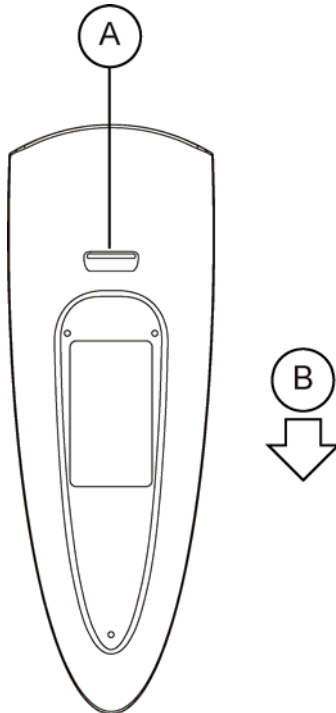
1. On the back of the remote, press the tab and slide the back cover down to release.
2. Insert the batteries. Verify that the positive and negative terminals match the symbols inside the battery compartment.
3. Replace the back cover by positioning the cover and sliding it up.

**Figure 5: Removing the Back Cover**

KEY:

A. Press the tab to  
release the back cover

B. Slide down



## Battery Tips and Precautions

- Use new AAA batteries and verify that all batteries are the same type.
- Keep batteries out of the reach of children.
- Verify that the positive (+) and negative (-) battery polarities line up with the battery-case polarities.
- Replace batteries that have been in use two or more years. Recycle or properly dispose of used batteries.
- Try changing the batteries if your remote does not control units. The remote's range decreases when the batteries' power is low.
- NOTE: The Remote Control will not lose programmed data when the batteries are replaced.

### **WARNING**

#### **FIRE OR CHEMICAL HAZARD**

The batteries used in this unit may present a risk of fire or chemical burn if not handled properly.

- Do not recharge, disassemble, heat above 212 °F (100 °C), or incinerate.
- Recycle or properly dispose of used batteries.
- Replace with identical type.
- Follow all battery manufacturers' instructions.

**Failure to follow these instructions can result in injury or equipment damage.**

## PROGRAMMING THE REMOTE

Follow the guidelines below to make the Remote Control functional.

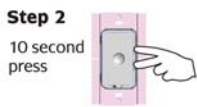
- Program C-Bus Wireless units to recognize the remote's buttons.
- Program the remote, wall units, and plug adapter units using learn mode.

Learn mode is activated on the remote by removing the back cover (see the "Installing the Batteries" section to removing the back cover), and sliding the switch up to the Learn position. Refer to the steps below to activate learn mode.



Use the following procedure to assign a button on the remote to a button on a C-Bus Wireless wall unit or plug adapter unit:

*NOTE: Assigning a button on the remote to a button on a C-Bus Wireless unit does not unlearn previous assignments to other units. To do this, follow the instructions in the "Clearing Remote Assignments" section.*



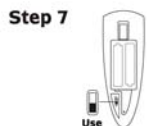
1. Set the C-Bus Wireless RF Remote Control to learn mode by sliding the switch across to the Learn position. A book icon is displayed on the remote's screen when learn mode is activated.
2. On the wall unit, press the Learn button to activate learn mode.
3. On the remote, press the button you want to assign. The indicator lights on the remote will flash.



4. Quickly press the button on the wall unit you want the remote to control (within 30 seconds of pressing the remote button while the indicator lights are flashing).
- NOTE: All units on the network will enter Learn mode at this time.*



5. Repeat steps 3 and 4 to program additional buttons.
6. When you have finished programming remote buttons, press the learn button on the wall unit to exit learn mode.
7. Slide the learn mode switch on the back to the Use position.



## CLEARING REMOTE ASSIGNMENTS

To clear an individual remote assignment learned by a specific button on a wall unit or plug adapter unit, reassign the same remote button to the wall unit or plug adapter button. Assigning a button once programs it. Assigning it again clears it.

To clear all remote assignments (from all remote controls) learned by an individual wall unit or plug adapter unit:

1. Set the C-Bus Wireless Remote Control to learn mode by sliding the switch across to the Learn position.
2. On the wall unit or plug adapter unit, press the learn button to activate learn mode.
3. Press one of the five assignable buttons on the right side of the remote control.
4. Press twice one of the buttons on the wall unit or plug adapter unit.
5. Wait until the indicator lights return to a slow alternating flash. Then press the learn button on the wall unit or plug adapter to exit learn mode.
6. Slide the learn mode switch on the back to the Use position.

## CARE AND CLEANING INSTRUCTIONS

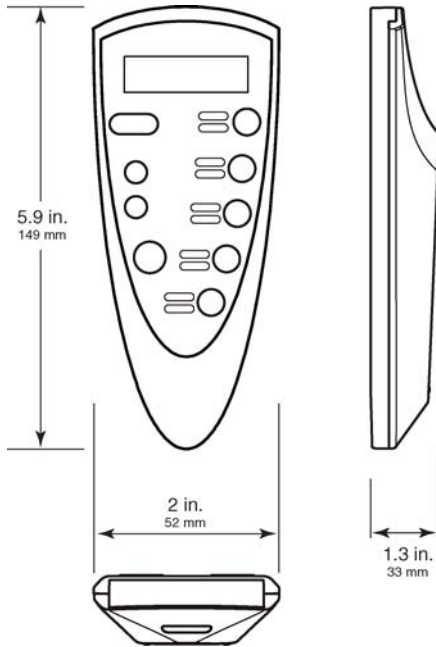
Follow the precautions below to properly clean and care for the unit.

- Clean regularly using a soft lint free cloth.
- Only use a mild, non-abrasive cleaner such as window cleaner lightly sprayed onto the lint free cloth to clean the unit.
- Ensure hands are dry and clean before operating the unit.
- Only use non-abrasive objects to operate the unit. Hard, sharp objects may cause damage.
- Leave the unit uncovered to allow adequate ventilation.
- Only use the unit indoors.
- Properly shade the unit so that it is not exposed to direct sunlight for extended periods.

## SPECIFICATIONS

Parameter	Description
Supply voltage	2 x AAA, batteries
Radio frequency	916 MHz
Transmitting power	10 mW
Typical range (range depends on building construction and the proximity to dense or metallic objects)	Wood frame / brick veneer construction 49 to 66 feet (15 to 20 m) Brick, stone, or steel frame construction 33 to 49 feet (10 to 15 m) Steel reinforced concrete construction 16 to 33 feet (5 to 10 m)
Maximum range (open air)	164 feet (50 m)
Operating temperature range	32 to 104 °F (0 to 40 °C)
Operating humidity range	10 to 95% RH


## DIMENSIONS



## STANDARDS

The Remote Control complies with the following Standards:

**Table3: U.S. and Canadian Product Safety Standards and U.S. FCC Regulations**

Standards/Regulations	Title
 FCC Part 15	Class B Digital Device for Home or Office Use




## **SUPPORT AND SERVICE**

Contact the Square D Customer Information Center for technical support by phone at 1-888-Square D (1-888-778-2733) or e-mail at [lightingcontrol.support@us.schneider-electric.com](mailto:lightingcontrol.support@us.schneider-electric.com).

Contact your local Square D service representative or Clipsal® certified installer for repairs or service to your network.

You may also find helpful information on our web site at [www.squaredlightingcontrol.com](http://www.squaredlightingcontrol.com).

**Schneider Electric, USA**  
320 Tech Park Drive, Suite 100  
La Vergne, TN, 37086  
1-888-SquareD (1-888-778-2733)  
[www.squaredlightingcontrol.com](http://www.squaredlightingcontrol.com)

Square D,  Clipsal, C-Bus, Saturn and Neo are trademarks or registered trademarks of Schneider Electric and/or its affiliates in the United States and/or other countries.

Electrical equipment should be installed, operated, serviced, and maintained only by qualified personnel. No responsibility is assumed by Schneider Electric for any consequences arising out of the use of this material.

© 2008 Schneider Electric. All Rights Reserved.