



Three-Compartment Wall Duct Installation

- Cross Application—RWT10PXE and RWT18PXE
- Tee Application—RWT10PTE and RWT18PTE

This bulletin contains instructions for installation of three-compartment wall ducts manufactured by Square D. Cross application and tee application types are covered.

CROSS APPLICATION—RWT10PXE AND RWT18PXE

This section covers assembly of cross application three-compartment wall ducts, types RWT10PXE and RWT18PXE.

NOTE: The top and bottom tunnels may be welded in place.

Installing Bottom Tunnels

1. Position both tunnels in the cross as shown in figure 1. Leave a 1.00" (2.54 cm) gap between the edge of the base plate and the edge of the tunnel.
2. Using the tunnel slots as a template, drill 11/64" (0.44 cm) diameter holes in the base plate.
3. Fasten the bottom tunnels to the base plate with the 10-32 x 1/4" screws provided.

Installing Top Tunnels

4. Position both top tunnels as shown in figure 1. Using the slot in the end of the top tunnels as a template, drill 11/64" (0.44 cm) diameter holes.
5. Fasten the top tunnels to the base plate with the hardware provided.
6. On the opposite end of the top tunnel, weld or pop rivet the two pieces together. Holes are provided for a 3/16" diameter x 5/16" pop rivet.

Installing Partitions

Align all partitions with all the tunnels as shown in figure 1. Gaps between tunnels and partitions must not exceed 1/8" (0.32 cm).

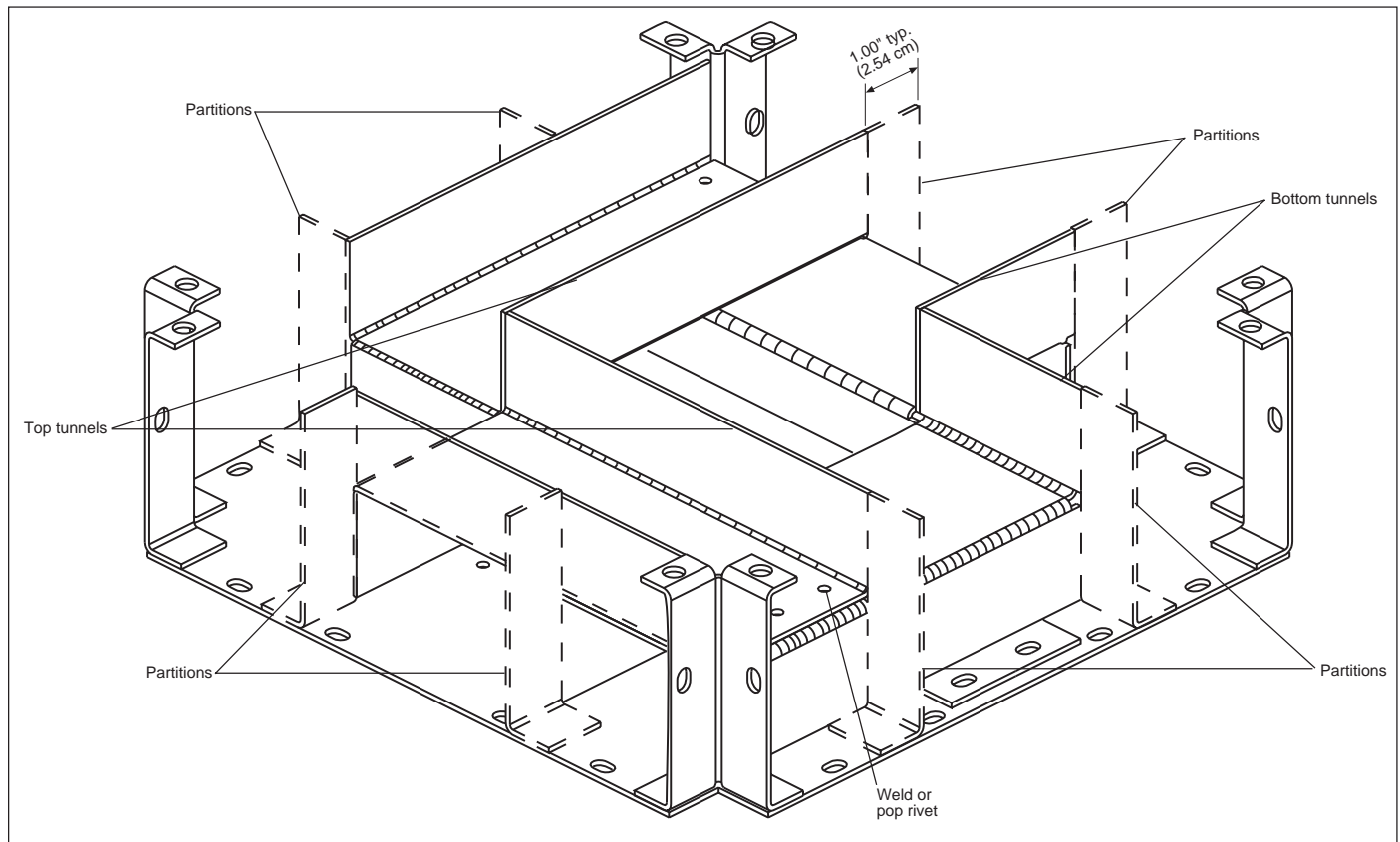


Figure 1: Cross Application—RWT10PXE and RWT18PXE

TEE APPLICATION—RWT10PTE AND RWT18PTE

This section covers assembly of tee application three-compartment wall ducts, types RWT10PTE and RWT18PTE.

NOTE: The top and bottom tunnels may be welded in place.

Installing Bottom Tunnels

1. Position the tunnel in the tee as shown in figure 2. Leave a 1.00" (2.54 cm) gap between the edge of the base plate and the edge of the tunnel.
2. Using the tunnel slots as a template, drill 11/64" (0.44 cm) diameter holes in the base plate.
3. Fasten the tunnel to the base plate with the 10-32 x 1/4" screws provided.

Installing the Top Tunnel

4. Position the top tunnel as shown in figure 2. Using the slot in the end of the top tunnels as a template, drill 11/64" (0.44 cm) diameter holes.
5. Fasten the top tunnel to the base plate with the hardware provided.
6. On the opposite end of the top tunnel, weld or pop rivet the two pieces together. Holes are provided for a 3/16" diameter x 5/16" pop rivet.

Installing Partitions

Align all partitions with all the tunnels as shown in figure 2. Gaps between tunnels and partitions must not exceed 1/8" (0.32 cm).

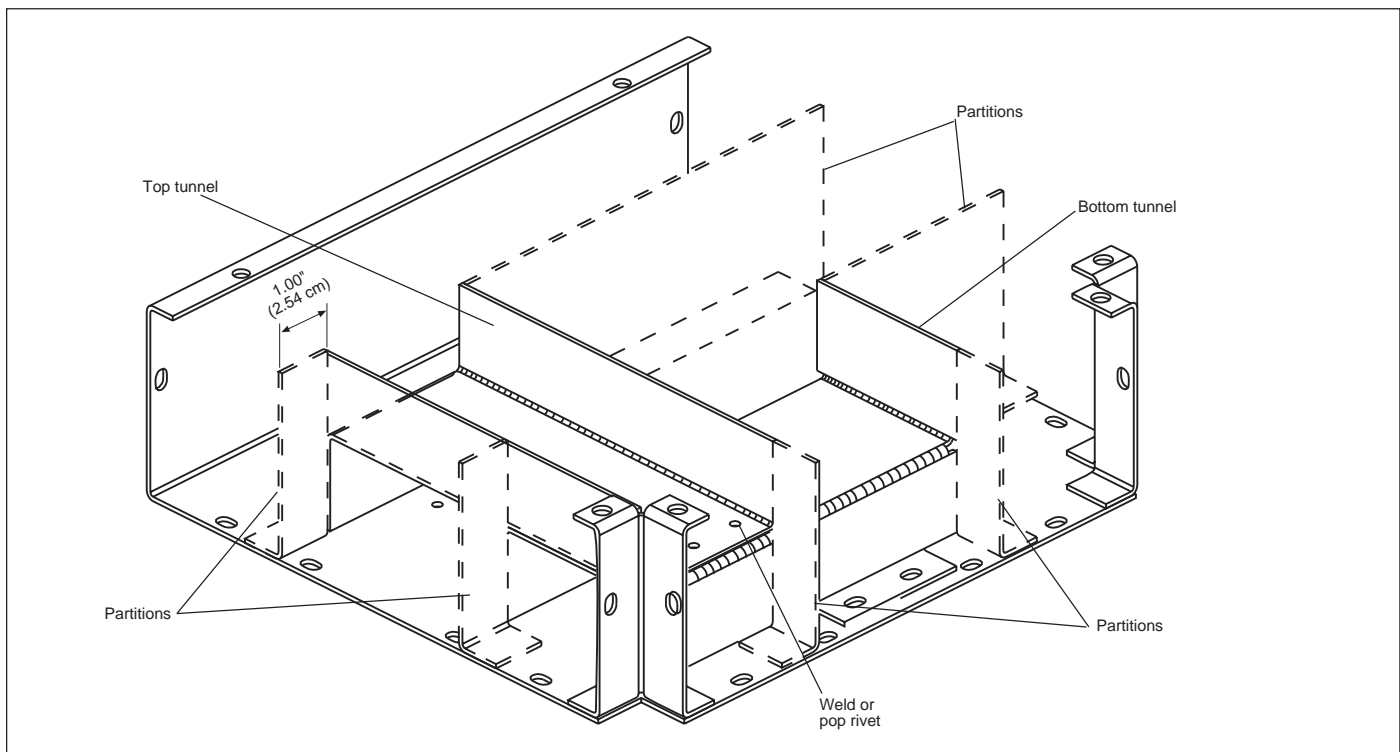


Figure 2: Tee Application—RWT10PTE and RWT18PTE

© 1995 Square D Company, all rights reserved. This bulletin may not be copied in whole or in part, or transferred to any other media, without the written permission of Square D Company.

Square D and  are Registered Trademarks of Square D Company.

Square D Company
5735 College Corner Road
Oxford, OH 45056 USA



SQUARE D



California Proposition 65 Warning—Nickel Compounds

Advertencia de la Proposición 65 de California— compuestos de níquel

Avertissement concernant la Proposition 65 de Californie— composés de nickel

⚠ WARNING: This product can expose you to chemicals including Nickel compounds, which are known to the State of California to cause cancer. For more information go to www.P65Warnings.ca.gov.

⚠ ADVERTENCIA: Este producto puede exponerle a químicos incluyendo compuestos de níquel, que son conocidos por el Estado de California como causantes de cáncer. Para mayor información, visite www.P65Warnings.ca.gov.

⚠ AVERTISSEMENT: Ce produit peut vous exposer à des agents chimiques, y compris composés de nickel, identifiés par l'État de Californie comme pouvant causer le cancer. Pour de plus amples informations, prière de consulter www.P65Warnings.ca.gov.

All trademarks are the property of Schneider Electric SE, its subsidiaries, and affiliated companies.

Schneider Electric USA, Inc.
800 Federal Street
Andover, MA 01810 USA
888-778-2733
www.schneider-electric.us

Todas las marcas comerciales son propiedad de Schneider Electric SE, sus filiales y compañías afiliadas.

Importado en México por:
Schneider Electric México, S.A. de C.V.
Av. Ejercito Nacional No. 904
Col. Palmas, Polanco 11560 México, D.F.
55-5804-5000
www.schneider-electric.com.mx

Toutes les marques commerciales sont la propriété de Schneider Electric SE, ses filiales et compagnies affiliées.

Schneider Electric Canada, Inc.
5985 McLaughlin Road
Mississauga, ON L5R 1B8 Canada
800-565-6699
www.schneider-electric.ca