

## 3R Enclosed Drives Well Pump Controller Mounting Instructions

Retain for future use.

### Introduction

This bulletin describes how to mount an optional customer-supplied well pump controller in Schneider Electric enclosed industrial control equipment.

### Precautions

#### **DANGER**

##### **HAZARD OF ELECTRICAL SHOCK, EXPLOSION, OR ARC FLASH**

- Apply appropriate personal protective equipment (PPE) and follow safe electrical work practices. See NFPA 70E®, “Standard for Electrical Safety in the Workplace.”
- This equipment must only be installed and serviced by qualified electrical personnel.
- Turn off all power supplying this equipment before working on or inside equipment.
- Always use a properly rated voltage sensing device to confirm power is off.
- Replace all devices, doors, and covers before turning on power to this equipment.
- Voltage may still be present on the line side terminals of the circuit breaker when off. Use caution when working in this area.

**Failure to follow these instructions will result in death or serious injury.**

### Qualified Personnel

For the protection of personnel and equipment, a qualified person must perform the procedure detailed in this bulletin. A qualified person is one who has skills and knowledge related to the construction and operation of this electrical equipment and the installation, and has received safety training to recognize and avoid the hazards involved. Refer to the most current release of NFPA 70E®, “Standard for Electrical Safety in the Workplace,” for safety training requirements.

In addition, the person must be:

- Able to read, interpret, and follow the instructions and precautions in this instruction bulletin and the other documentation referenced.
- Able to use the required tools listed in this instruction bulletin in a safe and correct manner.

## Mounting the Well Pump Controller

### Tools Needed

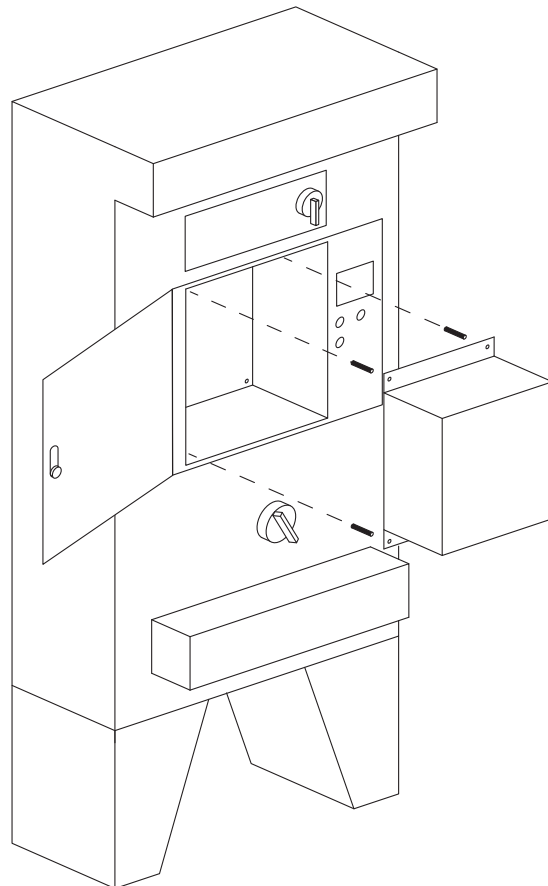
- Flat-head screw driver
- Class 3 (1000 V rated) multimeter
- 3/8 in. hex-head socket driver
- #6 drill bit

### Procedure

Perform this procedure before installing the field wiring. Do not proceed if power has been applied to the equipment. See “Precautions” on page 1.

1. Open the outside door to access the panel space designated for the controller.
2. Remove the factory supplied mounting hardware from the drive.
3. Install the well pump controller and affix it to the drive with the factory supplied hardware. See “Mounting the Controller” below.  
If modifying the hole pattern, first remove the controller back panel to prevent metal shavings from entering the enclosure. Tap to 1/4-20 in.
4. Consult the installation guide supplied with the well pump controller and make the electrical connections.
5. Check that all connections are tight and secure.
6. Remove all loose parts and tools from the enclosure before closing and securing the door.

### Mounting the Controller



## Support

### For Well Pump Controller Support

Contact information is listed on the Well Pump Controller label.

### For Drives Product Support

For drives product support, call, fax, or write:

Schneider Electric  
AC Drives & Soft Starts Product Support Group  
8001 Knightdale Blvd.  
Knightdale, NC 27545

The Product Support Group is staffed from 8 am to 8 pm Eastern time for start-up assistance or diagnosis of product problems and advice for the correct course of action. Emergency startup or breakdown support is available 24 hours a day, 365 days a year.

Toll free: 1-888-778-2733  
E-mail [drive.products.support@schneider-electric.com](mailto:drive.products.support@schneider-electric.com)  
Fax 919-217-6508

### Customer Training

Schneider Electric offers a variety of instructor-led, skill enhancing and technical product training programs for customers. For a complete list of drives/soft start training with dates, locations, and pricing, please call.

Toll free: 1-866-507-0894  
Fax 859-372-1565

**Schneider Electric USA, Inc.**  
1415 S. Roselle Road  
Palatine, IL 60067 USA  
1-888-778-2733  
[www.schneider-electric.us](http://www.schneider-electric.us)

Electrical equipment should be installed, operated, serviced, and maintained only by qualified personnel. No responsibility is assumed by Schneider Electric for any consequences arising out of the use of this material.

© 2014 Schneider Electric All Rights Reserved  
Schneider Electric and Square D are trademarks owned by Schneider Electric Industries SAS or its affiliated companies. All other trademarks are the property of their respective owners.