

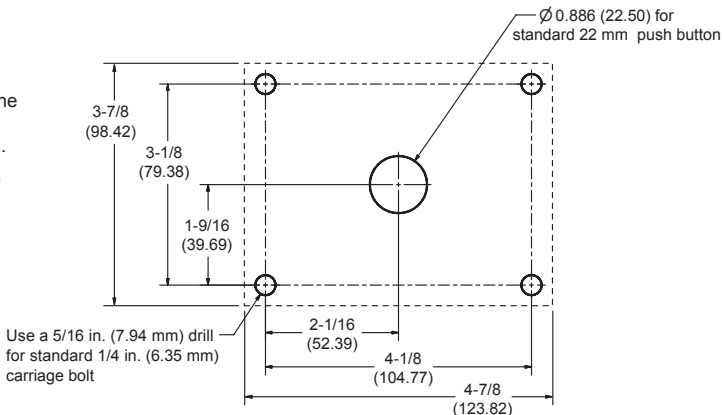
Instruction Bulletin

Harmony™ Biometric Switch Stainless-Steel Guard, ZB5SZ72 Mounting Instructions

Retain for future use.

Refer to this mounting hole diagram to properly mount the stainless steel guard for the Harmony™ biometric switch.

NOTE: To prevent rust, use stainless steel hardware.



$$\text{Dimensions} = \frac{\text{in.}}{\text{mm}}$$

Schneider Electric

8001 Knightdale Blvd.

Knightdale, NC 27545 USA

1-888-SquareD (1-888-778-2733)

www.schneider-electric.us

Electrical equipment should be installed, operated, serviced, and maintained only by qualified personnel. No responsibility is assumed by Schneider Electric for any consequences arising out of the use of this material.