

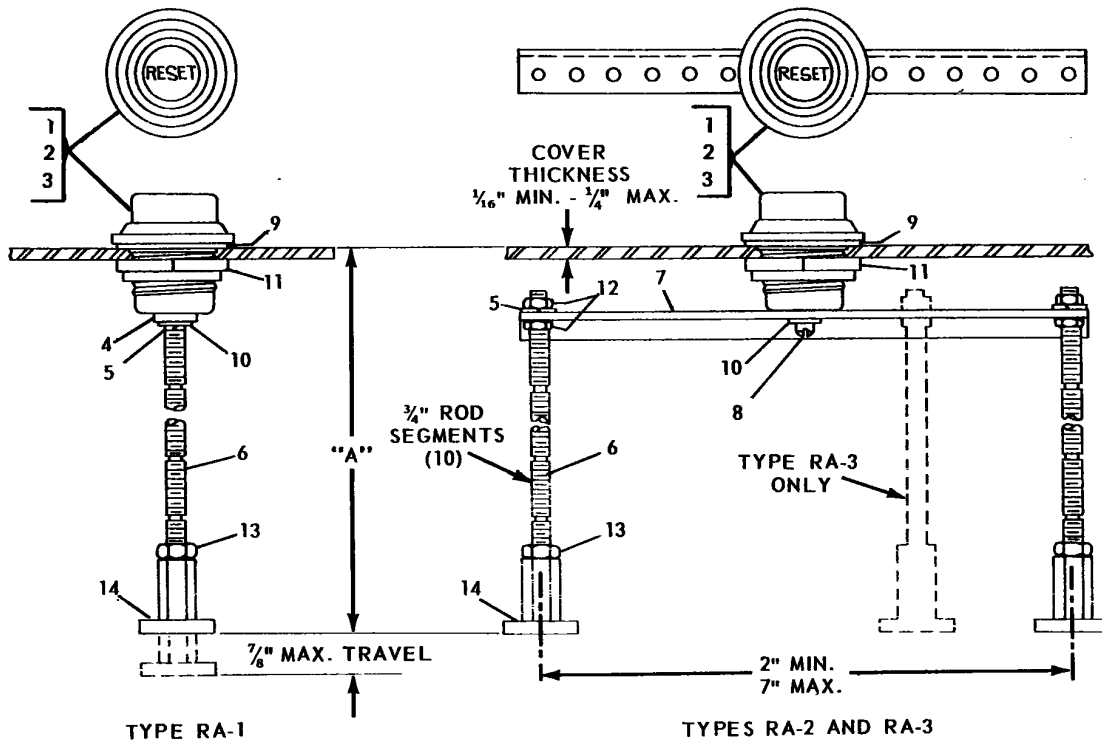


SQUARE D®

CLASS 9066, TYPES RA-1, RA-2, and RA-3

RESET MECHANISMS FOR NEMA 12 ENCLOSURES

Instruction Sheet
30072-100-47-A
May, 1985



PARTS LIST

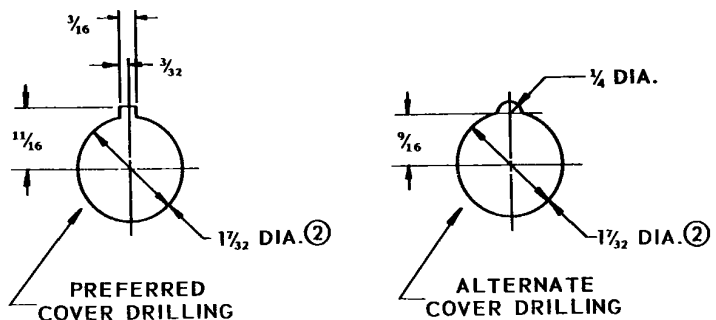
Item No.	Description	Part Number	Qty. Used on Type			Item No.	Description	Part Number	Qty. Used on Type		
			RA-1	RA-2	RA-3				RA-1	RA-2	RA-3
1	Reset Button	30019-117-02	1	1	1	8	Screw Assy. #8-32 x 1/2	21507-14161	-	1	1
2	Spring	3023-L1-X1	1	1	1	9	Gasket	29206-30700	1	1	1
3	Reset Housing	30019-115-01	1	1	1	10	Washer #8	23601-00140	1	1	1
4	Washer Special	30018-035-01	1	-	-	11	Nut	30019-121-01	1	1	1
5	Washer #8	23701-00140	1	3	4	12	Nut #8-32	23001-00140	-	4	6
6	Reset Rod	30019-053-01	1	2	3	13	Nut #1/4-20	23001-00200	1	2	3
7	Adjustable Reset Bar	30019-054-01	-	1	1	14	Reset Plunger	30019-055-01	1	2	3

RESET ROD SIZING TABLE

Depth "A"	No. of Rod Segments Req'd. ①
2 ⁹ / ₃₂ to 2 ⁷ / ₁₆	1
2 ⁷ / ₁₆ to 3 ³ / ₁₆	2
3 ³ / ₁₆ to 3 ¹⁵ / ₁₆	3
3 ¹⁵ / ₁₆ to 4 ¹¹ / ₁₆	4
4 ¹¹ / ₁₆ to 5 ⁷ / ₁₆	5
5 ⁷ / ₁₆ to 6 ³ / ₁₆	6
6 ³ / ₁₆ to 6 ¹⁵ / ₁₆	7
6 ¹⁵ / ₁₆ to 7 ¹¹ / ₁₆	8
7 ¹¹ / ₁₆ to 8 ⁷ / ₁₆	9
8 ⁷ / ₁₆ to 9 ³ / ₁₆	10

① Cut off segments not required from end of rod that threads into Reset Plunger, Item 14.

COVER DRILLING



② Units also mount in 1 1/4 inch diameter hole