

CLASS 8903 TYPE PBX1 AND PBX2 AUXILIARY CONTACT KITS

General Information:

These kits allow either one or two auxiliary contacts to be mounted to the right side of a Class 8903 Type PB Lighting Contactor. Each contact is rated 20A-480V AC maximum, 0.25A-250V DC, 0.50A-125V DC, 0.75 H.P.-125V AC and 1.5 H.P.-250V A.C.

Installation:

PBX1 Auxiliary Contact Option (See Figure 1)

1. If the auxiliary contact is to be mounted on a unit that is already in service, disconnect the power supply and remove the unit from the installation.
2. Remove the cover, by unscrewing the mounting screws (A).
3. Hold the nut plate (B) on the bottom side of the top right hand side pocket, see fig. 1. Place the auxiliary contact assembly A1 on the top side of the pocket. Secure bracket (C) to the nut plate by means of two screws (D).
4. Using the manual operator (E) put the contactor into closed position.
5. Remove screw (F) on the rockershaft. Replace the brass washer with the auxiliary contact cam (G), with the cam side towards the base. Ensure that the notched hole in the cam plate engages properly with the flats on the rocket shaft. Reinstall screw (F) and the steel washer. Check for proper actuation of the auxiliary contact (with auxiliary contact cam) by opening and closing the contacts with the manual operator.
6. Reinstall the front cover.
7. Reinstall the unit and make connections to the auxiliary contact in NO or NC position, as desired.

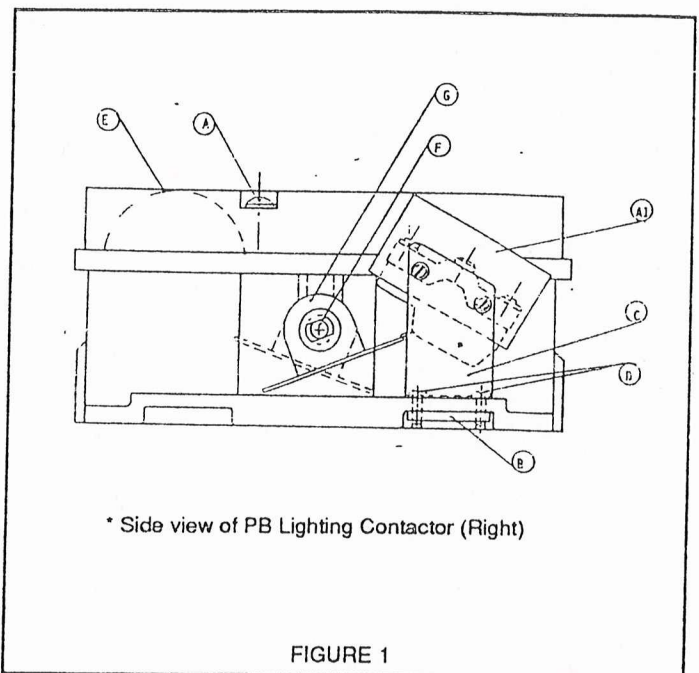


FIGURE 1

PBX2 Auxiliary Contact Option (See Figure 2)

1. Follow steps 1-3 of the procedure for installation of Auxiliary Contact A1 in PBX1 option above.
2. Install the Auxiliary Contact A2 in the same manner as the Auxiliary Contact A1.
3. Remove screw (F) on the rockershaft and replace the brass washer with the auxiliary contact cam (G), with the cam side towards the base. Ensure that the notched hole in the cam plate engages properly with the flats on the rocket shaft. Reinstall screw (F) and the steel washer. Check for proper actuation of the auxiliary contact (with auxiliary contact cam) by opening and closing the contacts with the manual operator.
4. Reinstall the front cover.
5. Reinstall the unit and make connections to the auxiliary contact in NO or NC position, as desired.

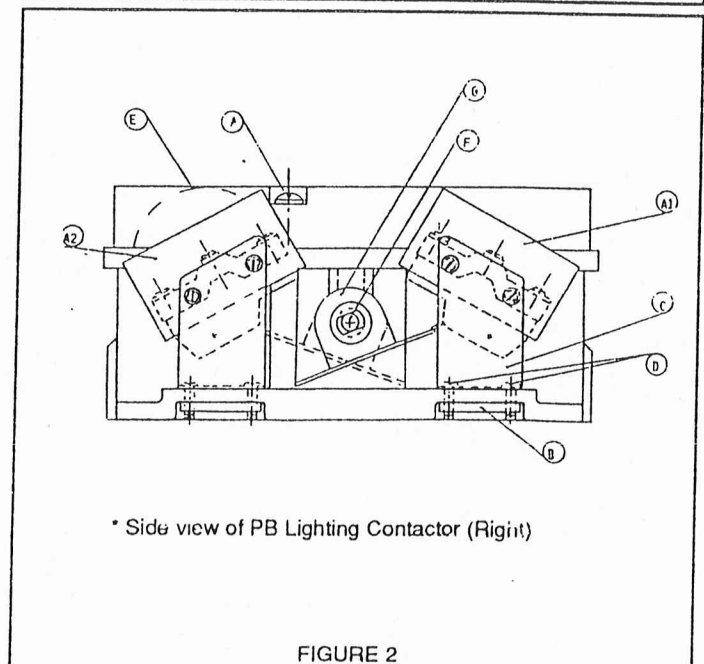


FIGURE 2

* Contact cam position as shown with main contacts of PB Lighting Contactor in "open" position.