


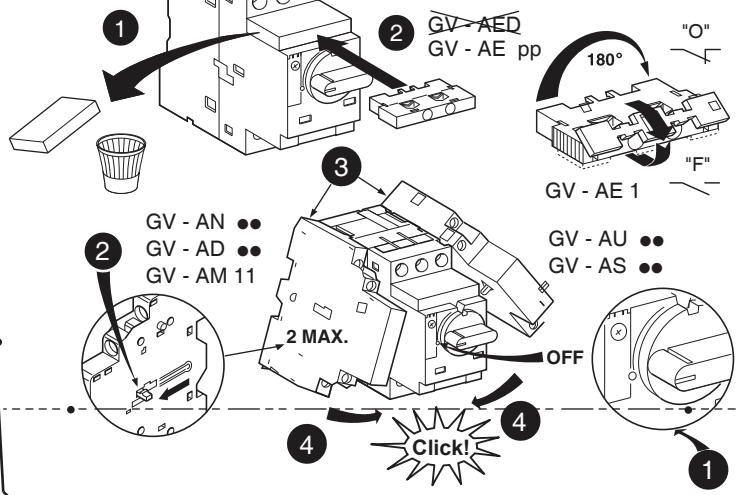
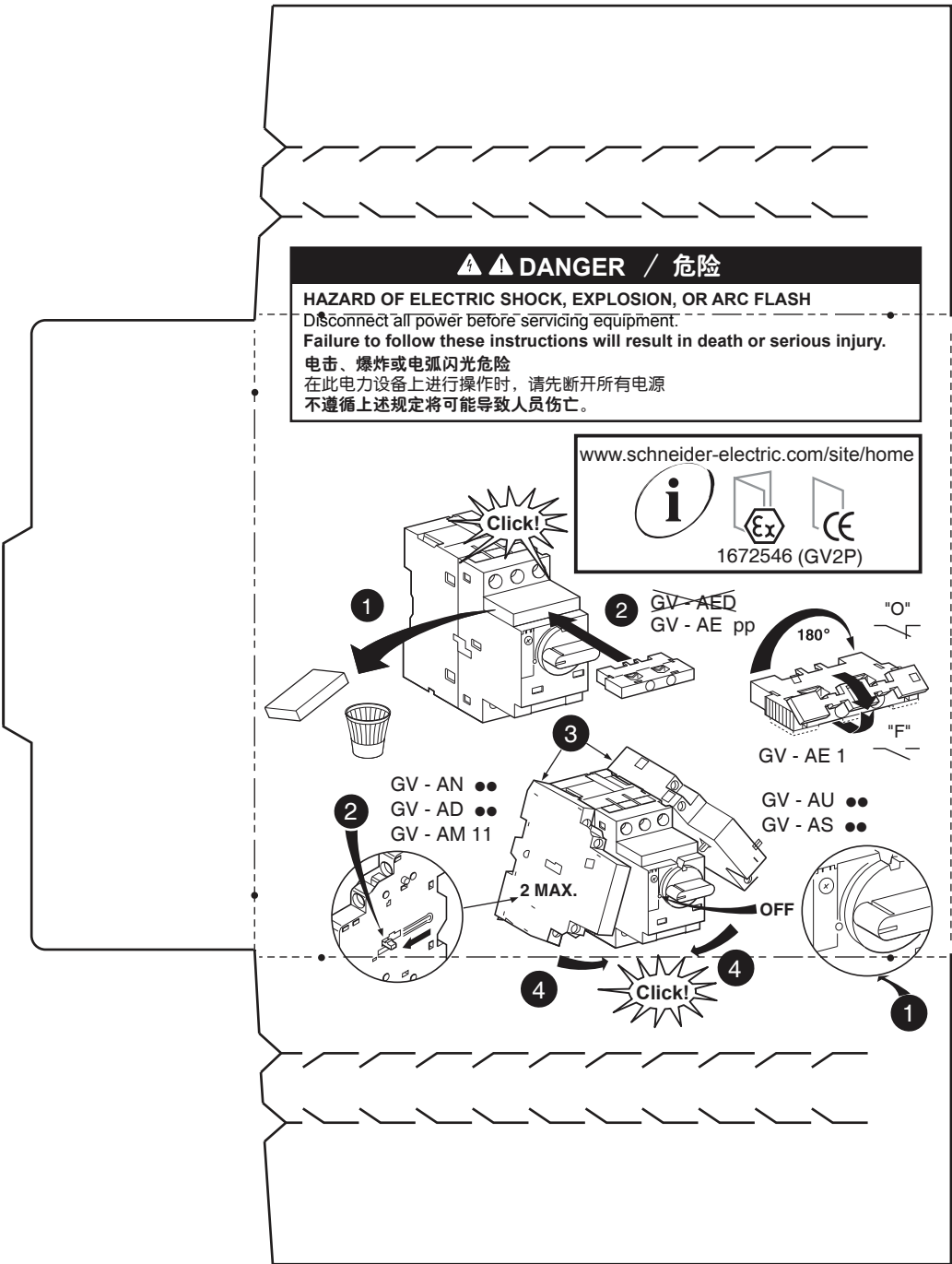


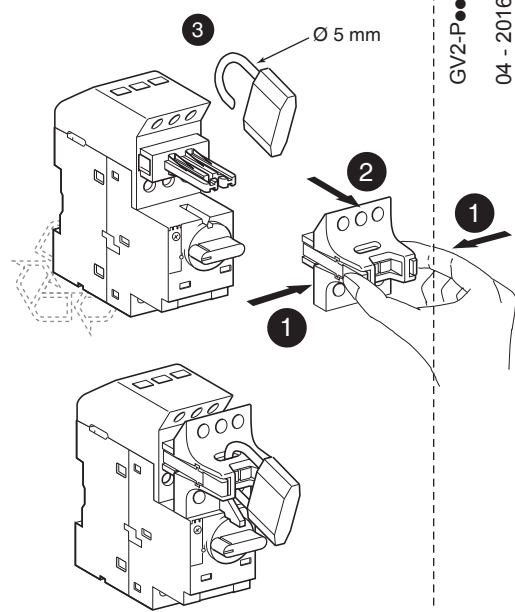
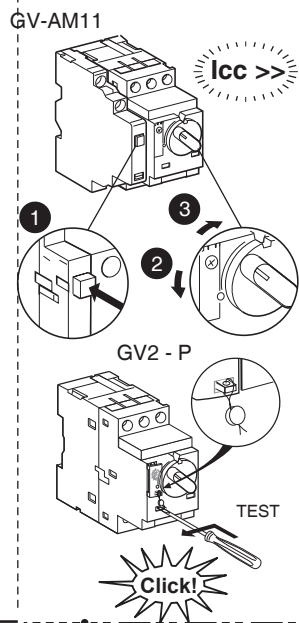
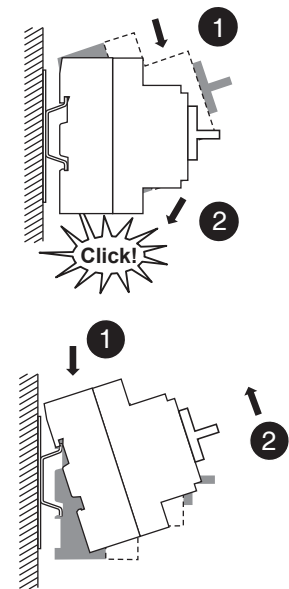
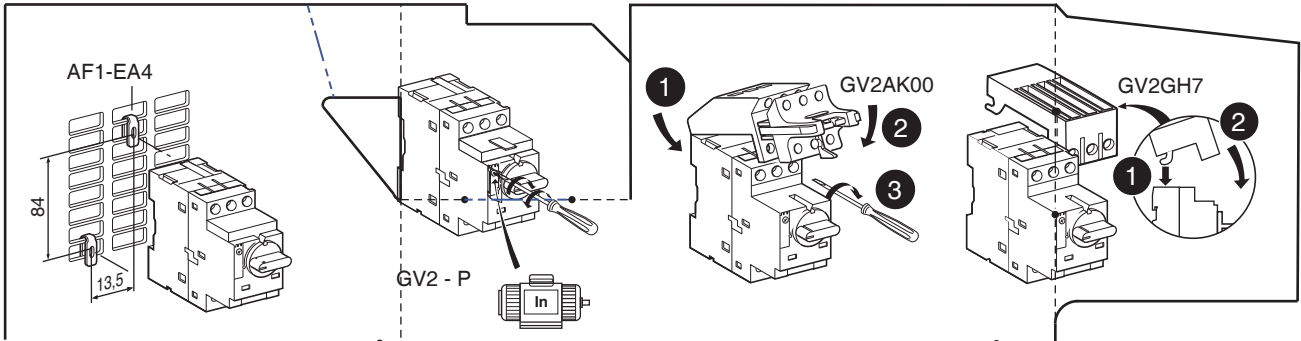
**⚠ ⚠ DANGER / 危險**  
**HAZARD OF ELECTRIC SHOCK, EXPLOSION, OR ARC FLASH**  
 Disconnect all power before servicing equipment.  
 Failure to follow these instructions will result in death or serious injury.  
 电击、爆炸或电弧闪光危险  
 在此电力设备上进行操作时，请先断开所有电源  
 不遵循上述规定将可能导致人员伤亡。

www.schneider-electric.com/site/home  
  
  
  
 1672546 (GV2P)

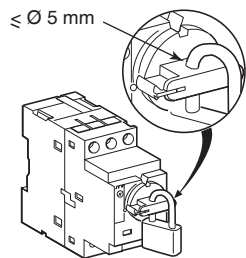


- GV - AN ●●
- GV - AD ●●
- GV - AM 11

- GV - AE 1
- GV - AU ●●
- GV - AS ●●



Schneider Electric Industries SAS www.schneider-electric.com  
 35, rue Joseph Monier  
 92506 Rueil Malmaison - France



	L	C	
	mm <sup>2</sup> AWG	mm in	N.m lb-in
	1...6		
x1 x2	18...10		
	1,5...6	10	1,7
x1 x2	16...10	3/8	15
	1...4		
x1 x2	18...10		

