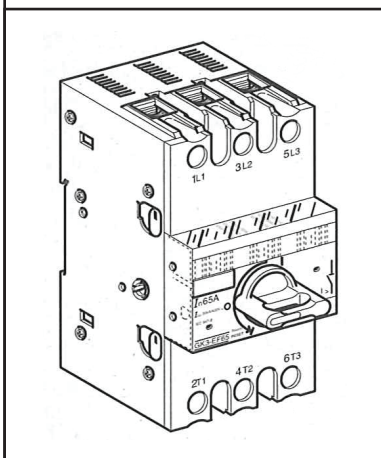


GK3-EF●●

www.schneider-electric.com



W9 1568732 01 11 A02
08 - 2009

Schneider
Electric

GK3-AP03

