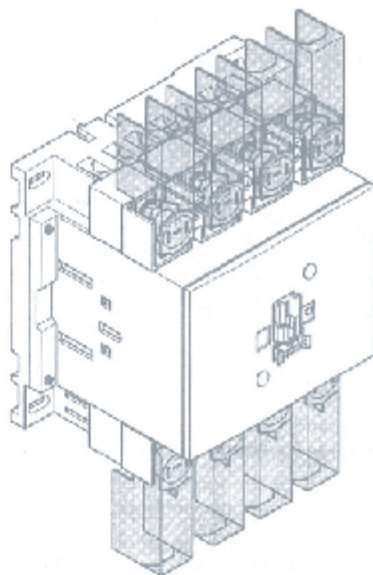
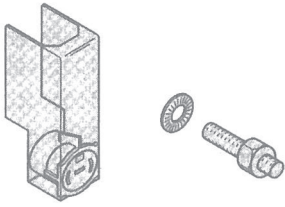


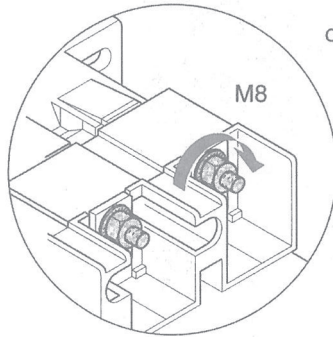
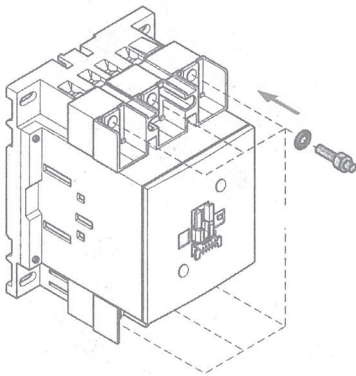
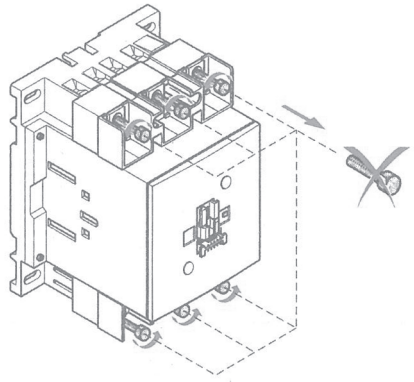
LC1-D115006
LC1-D150006



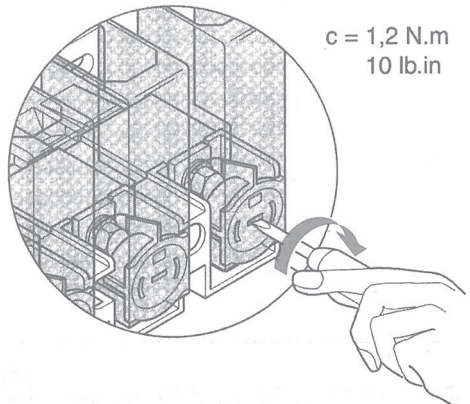
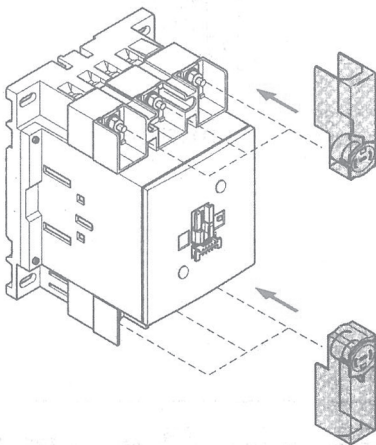
LC1-D1150046



LA9-D115703 = 6 (3P)
LA9-D115704 = 8 (4P)



c = 12 N.m
100 lb.in



c = 1,2 N.m
10 lb.in