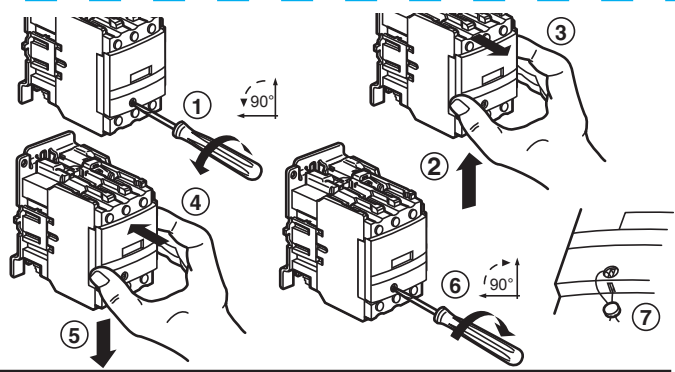
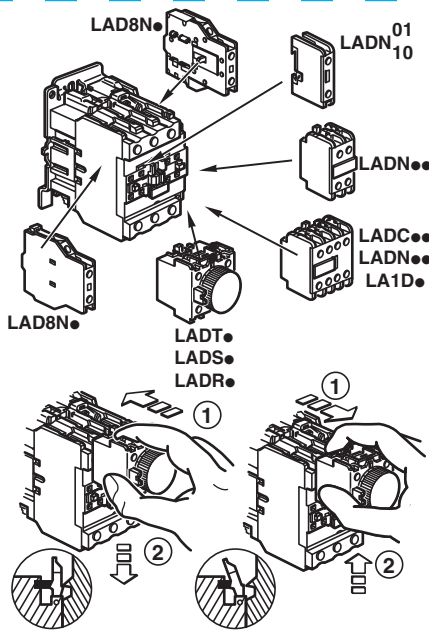
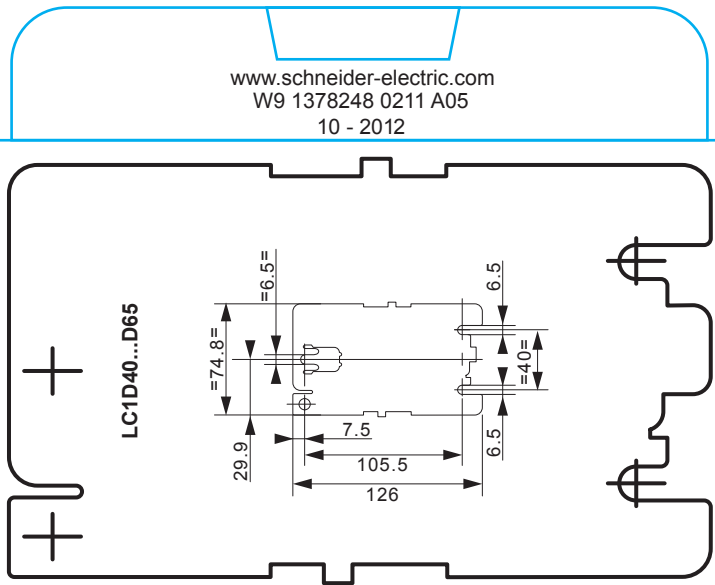
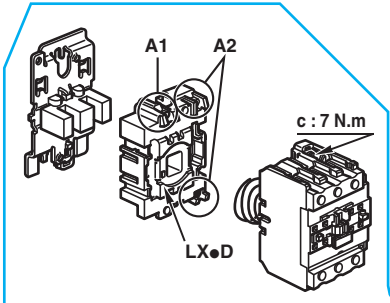
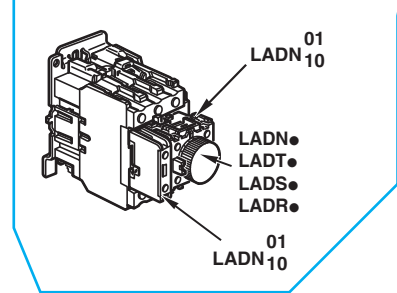
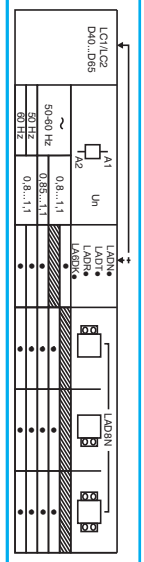


www.schneider-electric.com
W9 1378248 0211 A05
10 - 2012

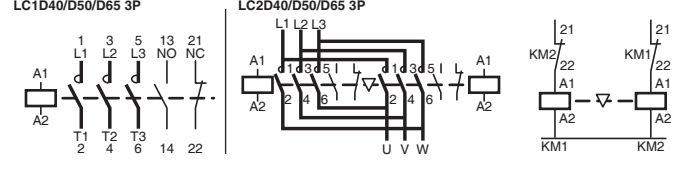


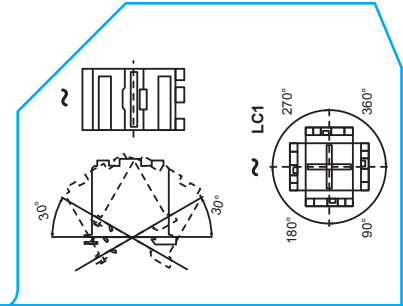
⚠ ⚠ DANGER / 危险
HAZARD OF ELECTRIC SHOCK, EXPLOSION, OR ARC FLASH
 Disconnect all power before servicing equipment.
 Failure to follow these instructions will result in death or serious injury.
 可能有触电、爆炸或者电弧灼伤的危险。
 在此电力设备上进行操作时，请先断开所有电源。
 不遵循上述规定将可能导致人员伤亡。
 "For Motor Starting Use Schneider Electric Overload Relay Series LR."
 “电动机启动时请使用施耐德电气LR系列过载继电器”。



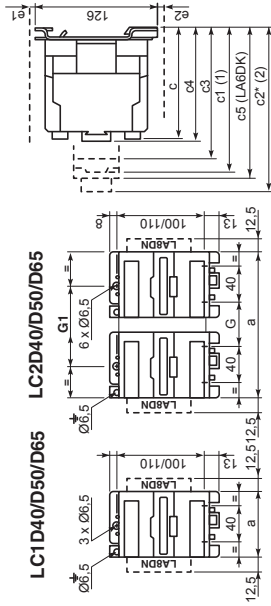
LC1D													
LC2D		(mm ²)	(mm ²)	(mm ²)	(mm ²)	(mm ²)	(mm ²)	(mm)	(mm)	Phillips	N.m		
D40		1...2,5	1...2,5 + 1...2,5	1...4	1...4 + 1...4	1...4 + 1...4	1...4 + 1...4	8	7,5	Ø6	2	1,2	
D50		2,5	2,5...10 + 2,5...10	2,5	2,5...16 + 2,5...16	2,5	2,5...16 + 2,5...16	-	-	Ø6	-	5	
D65		25	2,5...10	25	2,5...16	25	2,5...16	-	-	Ø8	-		
LXD		1...2,5	1...2,5 + 1...2,5	1...4	1...4 + 1...4	1...4	1...4 + 1...4	8	7,5	Ø6	2	1,2	
LAD		1...2,5	1...2,5 + 1...2,5	1...4	1...4 + 1...4	1...4	1...4 + 1...4	8	7,5	Ø6	2	1,2	

AWG 16 = 1,31 mm² AWG 12 = 3,31 mm² AWG 8 = 8,37 mm² AWG 4 = 21,15 mm² AWG 2 = 33,62 mm²
 AWG 14 = 2,08 mm² AWG 10 = 5,26 mm²





3P AC TeSys D contactors (LC1D40 -> LC1D95) are grade 2 according to GB 21518.
 Maximum power consumption lower than 36.6 VA.
 根据GB 21518标准, 三极 TeSys D系列交流接触器 (LC1D40 -> LC1D95) 能效等级为2级, 产品最大吸持功率低于36.6 VA



(mm)	a
LC1D40/D50/D65	75
LC2D40/D50/D65	165

(mm)	c	c4	c1	c5	c2*
LC1D40/D50/D65	114	116	146	157	165

(mm)	e1	e2	c3	G	G1
LC2D●●	5	11	142	50	90

*+ 4 mm (LA9D901)
 1 inch = 25.4 mm

