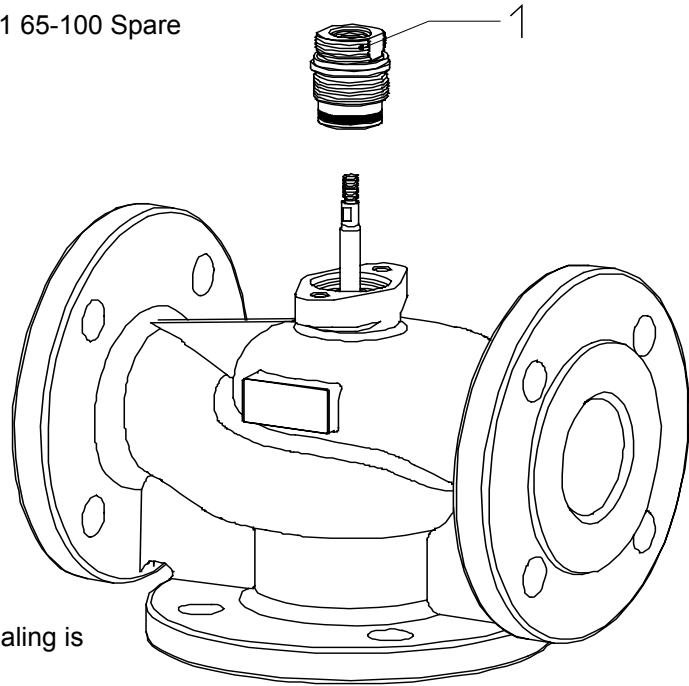


Stuffing Box Replacement

V321 DN 65- 100

This instruction is valid for below part numbers with version number (last digits) as shown, or higher.

1-001-0822-0 Stuffing Box V321 65-100 Spare



If the stem starts leaking, the sealing is worn out and must be replaced.



Hot media hazard. Before removing actuator from valve or opening the valve, ensure that the valve control medium is isolated and relieve the pressure. Work should only be carried out by a competent engineer.

- Remove actuator
(Refer to the operating instructions for actuator)
- Unscrew worn stem sealing (pos.1) from the body and pull it off the stem.
- Check valve stem for deposits and damage.
If possible, remove with fine polishing linen.
- Carefully push the new stem sealing (pos.1) - factory greased - onto the stem.
- Screwed tightly into position.
- Torque of the stem sealing 85 Nm.

