

# Modicon 140 DDI 353 10 24 Vdc In 4x8 Source Module Specifications and Wiring Diagram

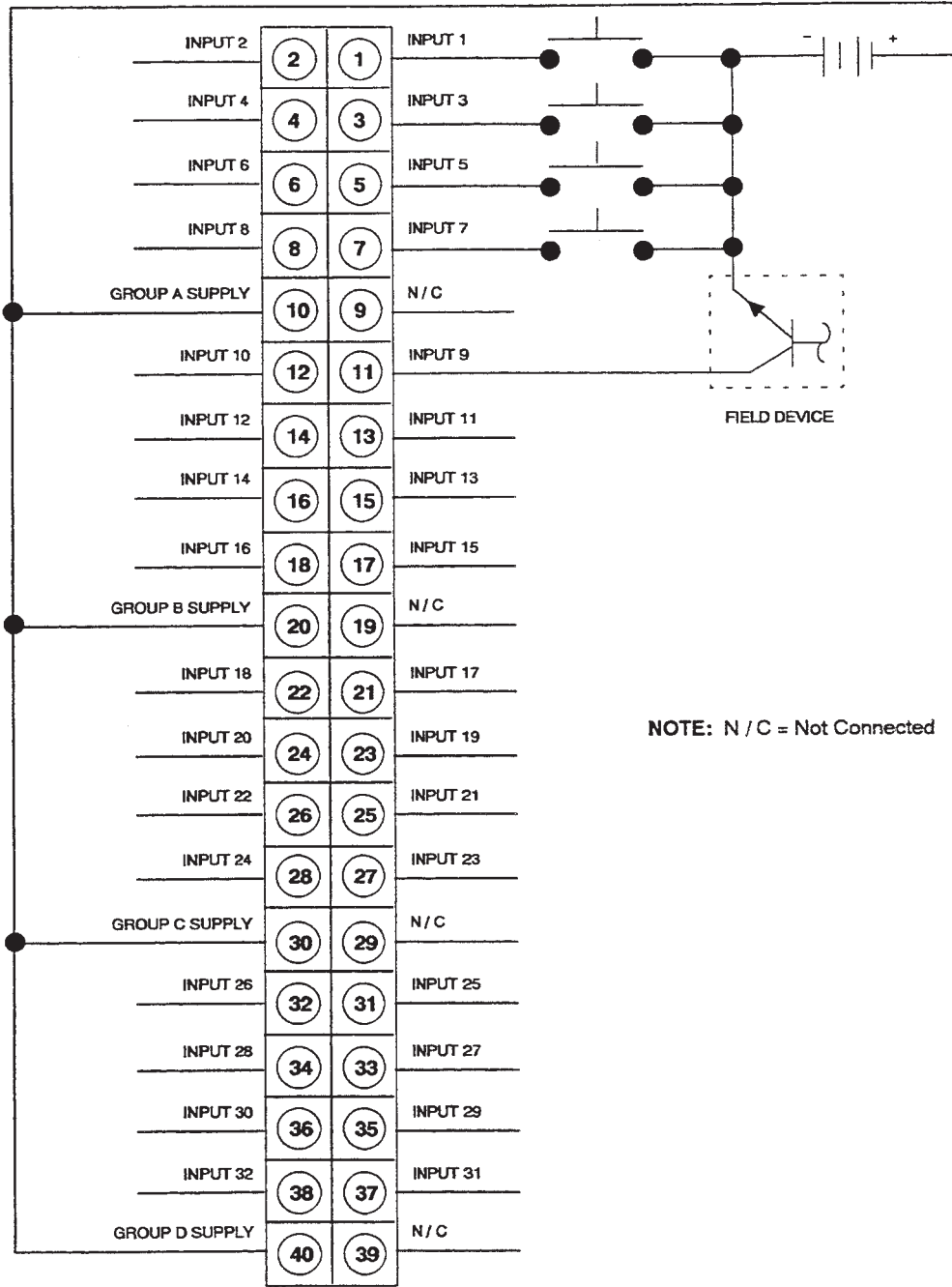
Publication # 043511908    Version 3.0

The **24 Vdc True Low 4x8 Input** module accepts 24 Vdc inputs and is for use with sink output devices.

## Specifications

<b>Number of Output Points</b>	32 input points in four 8 point groups
<b>LEDs</b>	<b>Active</b> 1 ... 32 (Green) - Indicates point status
<b>Required Addressing</b>	2 Words In
<b>Voltage</b>	
ON (Voltage)	-15 ... -30 Vdc (reference from group supply)
OFF (Voltage)	0 ... -5 Vdc (reference group supply)
ON (Current)	2 mA min; 14 mA max
OFF (Current)	0.5 mA max
<b>Absolute Maximum Input</b>	
Continuous	30 Vdc
1.0 ms	50 Vdc decaying pulse
<b>Response (Resistive Loads)</b>	
OFF - ON	1 ms (max)
ON - OFF	1 ms (max)
<b>Fault Detection</b>	None
<b>Isolation</b>	
Group to Group	500 Vac rms for 1 minute
Output to Bus	1780 Vac rms for 1 minute
<b>Internal Resistance</b>	2.4 k
<b>Input Protection</b>	Resistor limited
<b>Bus Current Required</b>	330 mA max
<b>Power Dissipation</b>	1.5 W + 0.26 W x the number of points ON
<b>External Power</b>	19.2 ... 30 Vdc
<b>Fusing</b>	
Internal	None
External	User discretion





NOTE: N / C = Not Connected

For more information about the Quantum TSX Automation Series, please obtain a copy of the *Quantum TSX Automation Series Hardware Reference Guide* (840 USE 100 00) from your distributor or local sales office.