

Modicon 140 DAM 590 00

AC Input/Output 115 VAC Module

Publication # 043507115 Version 3.0

Topology

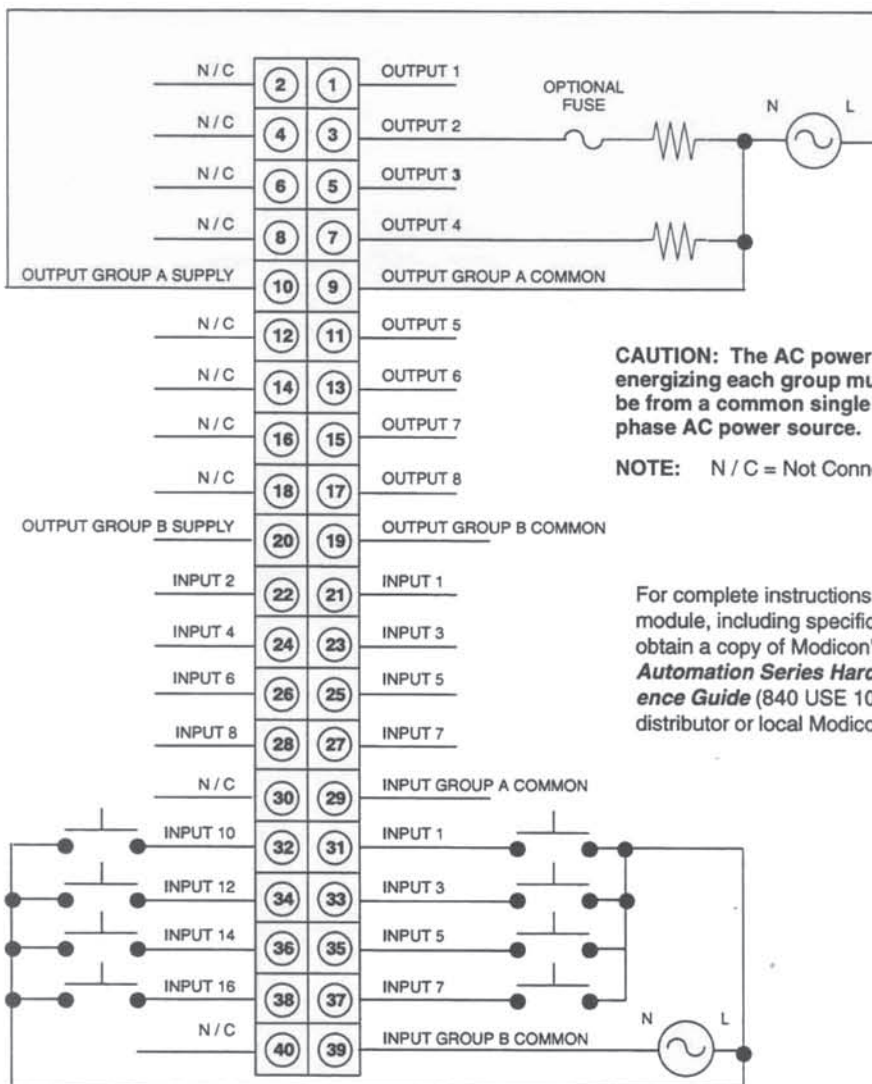
Input points: 16 in two 8 point groups

Output points: 8 in two 4 point groups

Bus Current Required Connector

250 mA

Modicon P/N 140 XTS 002 00



Modicon

140 DAM 590 00

Module de 115 VCA d'Entrée/Sortie CA

Publication # 043507115 Version 3.0

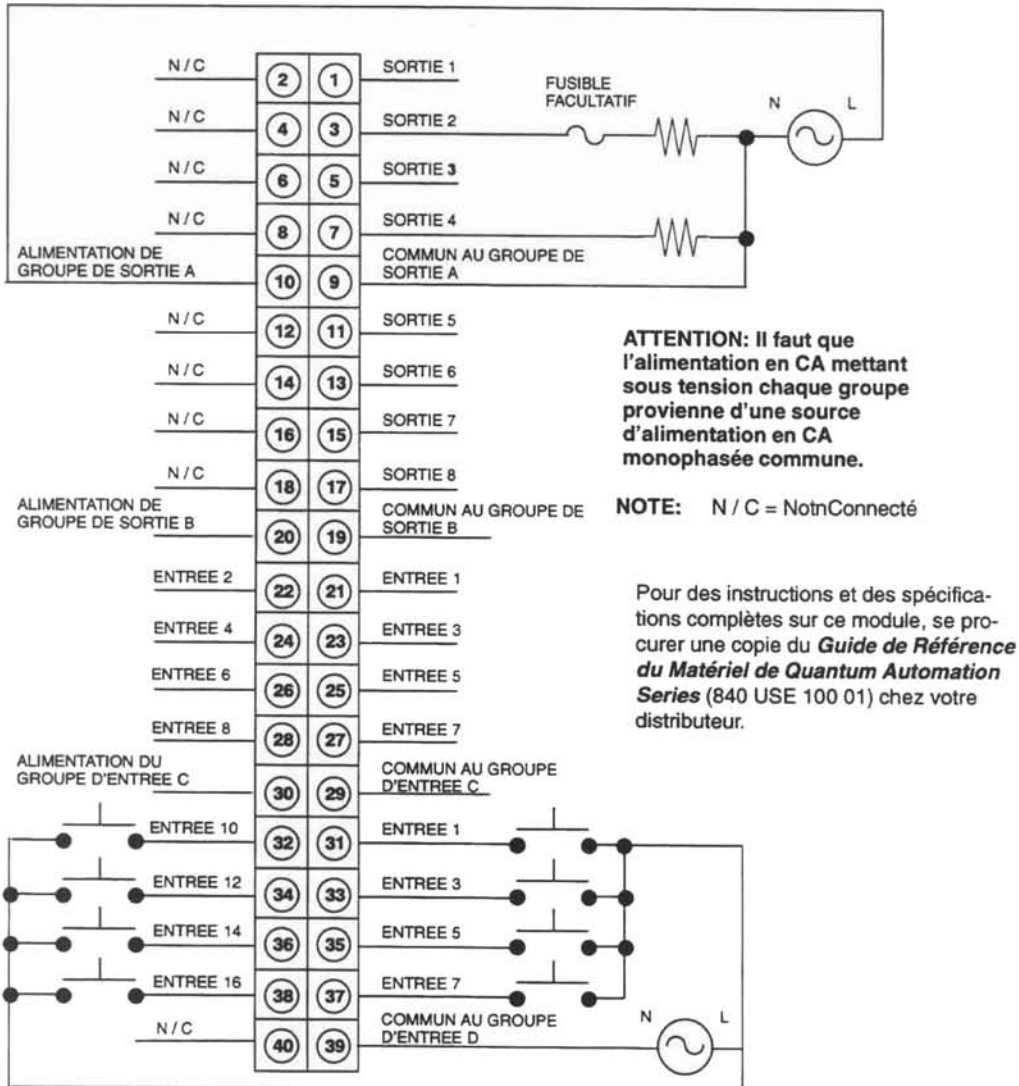
Topologie

Points d'entrée: 16 en deux groupes de 8 points

Points de sortie: 8 en deux groupes de 4 points
250 mA

Courant de Bus Requis Connecteur

Pièce 140 XTS 002 00 de Modicon



Modicon

140 DAM 590 00

115 Volt Wechselstrom-Modul mit Wechselstromeingang/-Ausgang

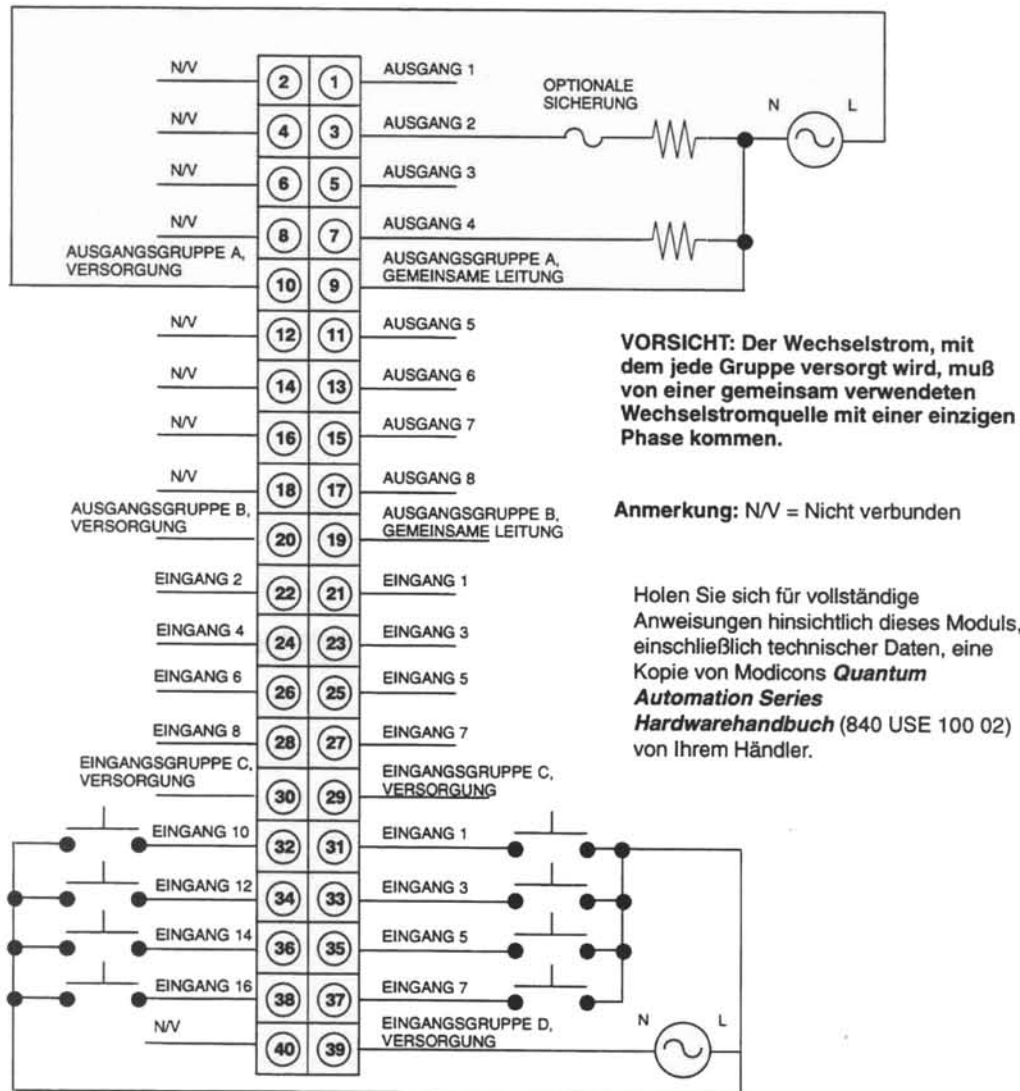
Veröffentlichung Nr. 043507115 Version 3.0

Topologie

Eingangspunkte: 6 in zwei Gruppen zu jeweils 8 Punkten
 AUSGANGspunkte: 8 in zwei Gruppen zu jeweils 4 Punkten

Erforderlicher Busstrom Anschlußstück

250 mA
 Modicon Teil Nr. 140 XTS 002 00



Modicon 140 DAM 590 00

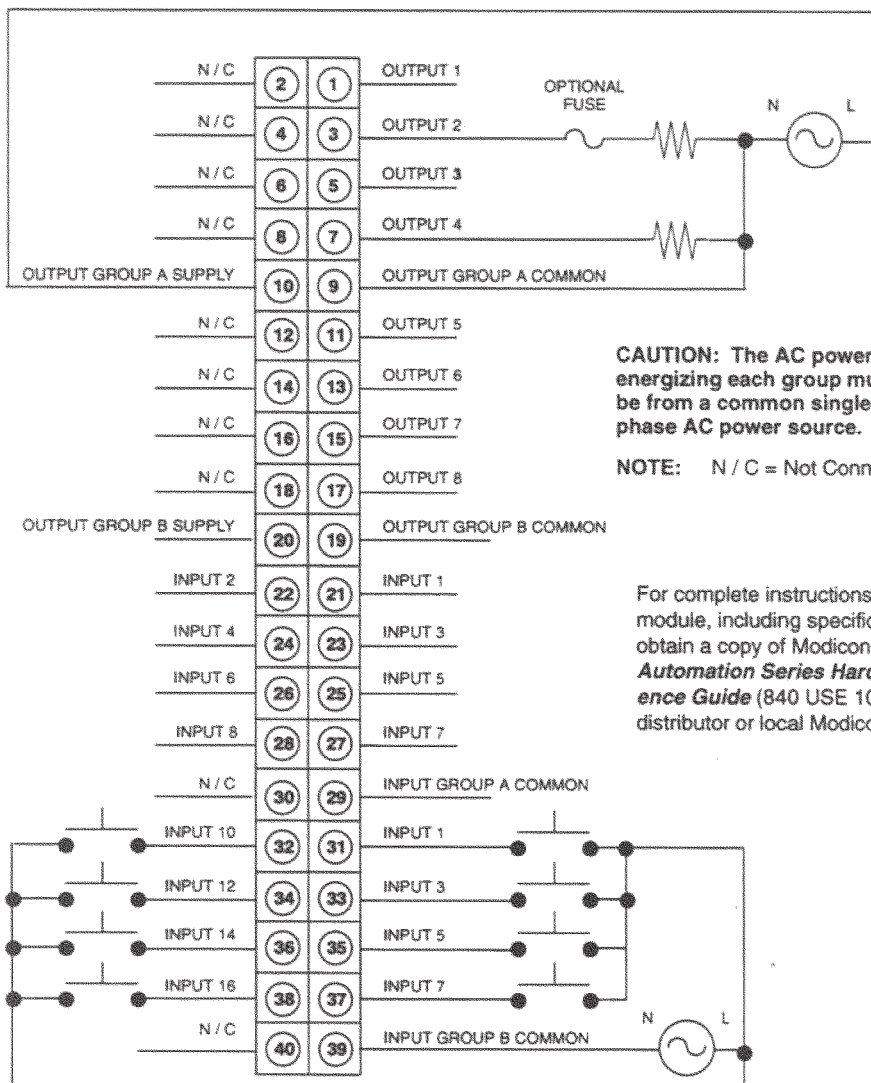
AC Input/Output 115 VAC Module

Publication # 043507115 Version 3.0

Topology Input points: 16 in two 8 point groups
Output points: 8 in two 4 point groups

Bus Current Required 250 mA

Connector Modicon P/N 140 XTS 002 00



CAUTION: The AC power energizing each group must be from a common single phase AC power source.

NOTE: N / C = Not Connected

For complete instructions regarding this module, including specifications, please obtain a copy of Modicon's *Quantum Automation Series Hardware Reference Guide* (840 USE 100 00) from your distributor or local Modicon office.

Quantum Automation Series equipment is protected by U.S. Patent number 5,302,136, and by European Patent number 93202982.0--.

