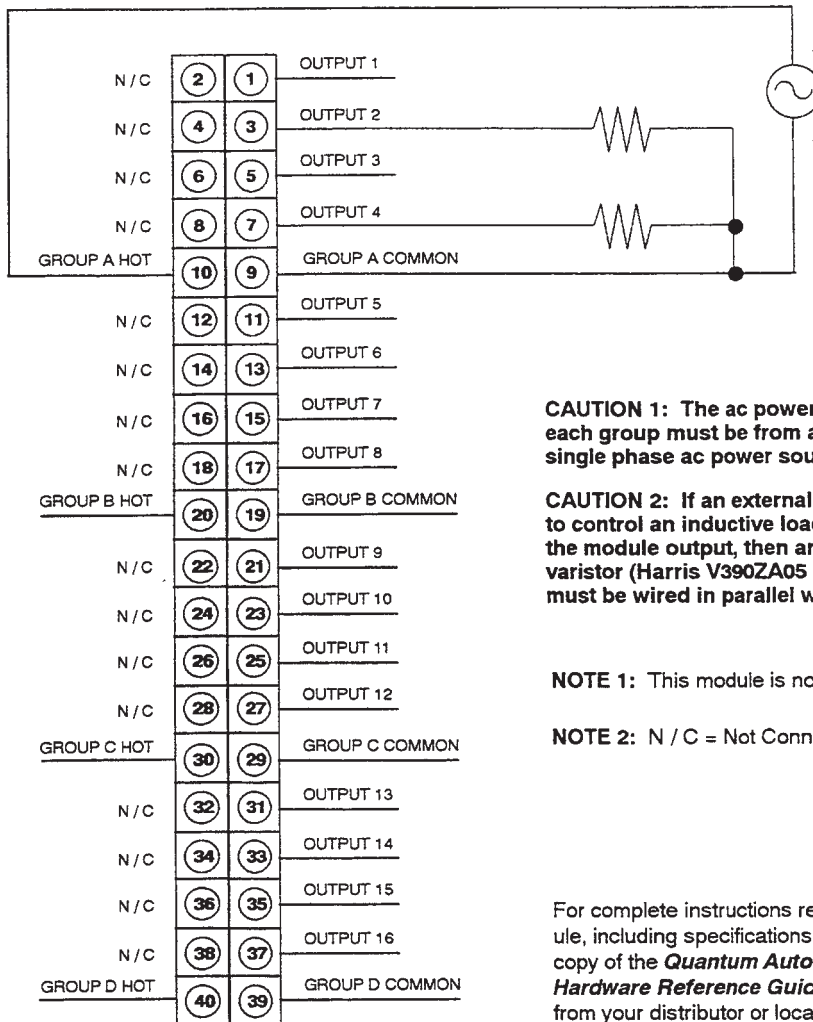


Modicon 140 DAO 842 20 24 ... 48 VAC Output Module

Publication # 043504488 Version 3.0



Topology	16 output points in four groups (4 points/group)
Power Required	350 mA
Operating Voltage	20 ... 56 VAC RMS continuous @ 47 ... 63 Hz
Fusing	5 A/group
Connector	Modicon P/N 140 XTS 002 00



CAUTION 1: The ac power energizing each group must be from a common single phase ac power source.

CAUTION 2: If an external switch is wired to control an inductive load in parallel with the module output, then an external varistor (Harris V390ZA05 or equivalent) must be wired in parallel with the switch.

NOTE 1: This module is not polarity sensitive.

NOTE 2: N / C = Not Connected

For complete instructions regarding this module, including specifications, please obtain a copy of the *Quantum Automation Series Hardware Reference Guide* (840 USE 100 00) from your distributor or local Square D office.

Quantum Automation Series equipment is protected by U.S. Patent number 5,302,136, and by European Patent number 93202982.0-.



Printed in

Juin 2009