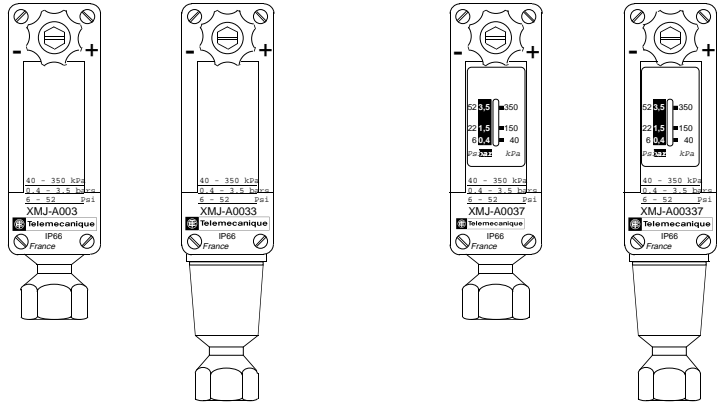
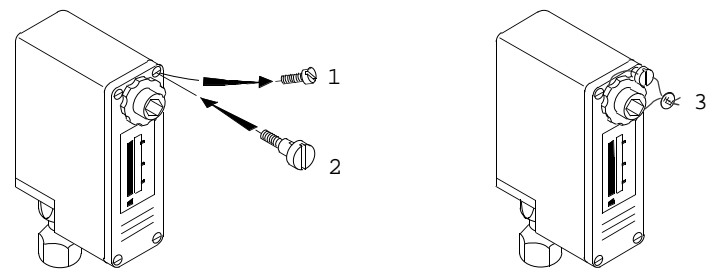
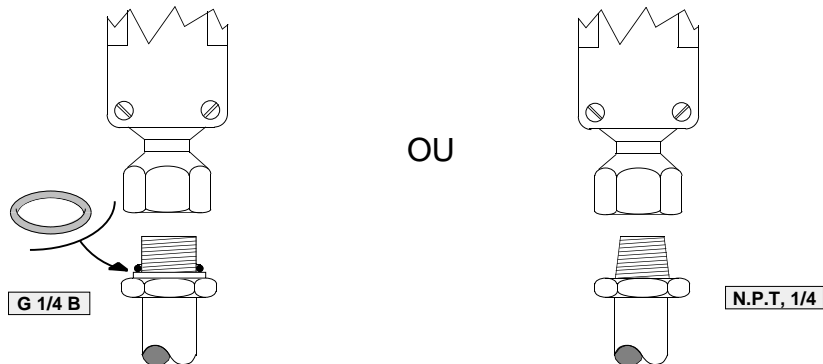
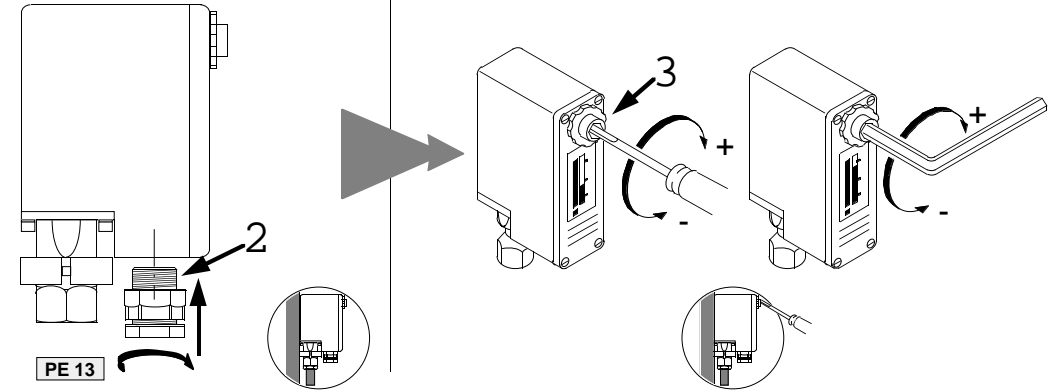
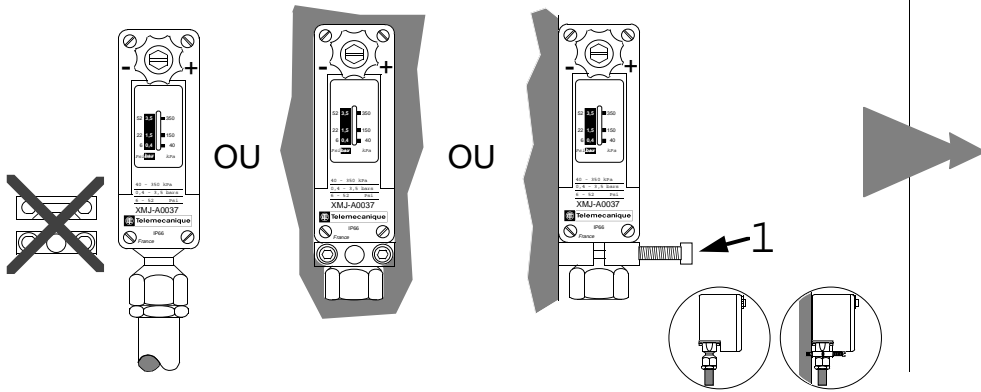
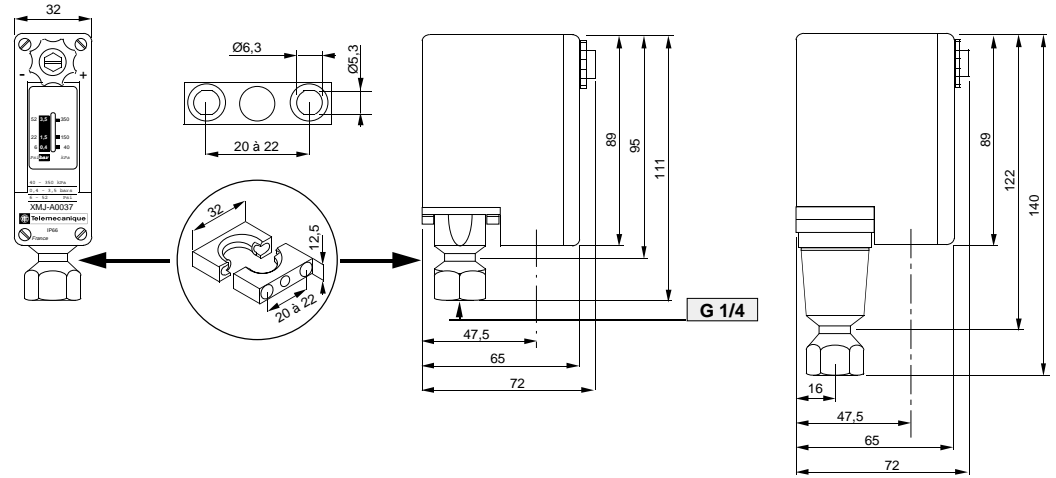


# XMJ-A

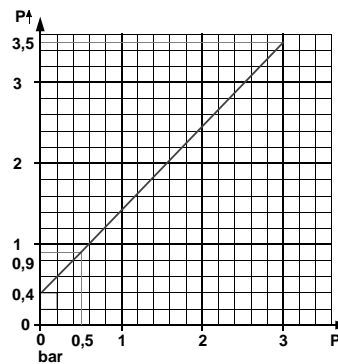


XMJ-A...    XMJ-A...3    XMJ-A...7    XMJ-A...37

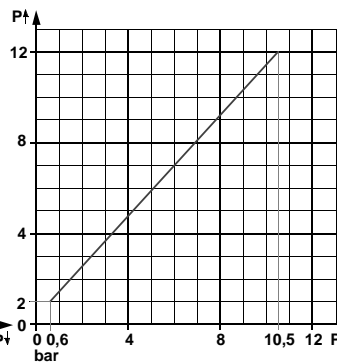


2 + 3 = XMJ-Z01

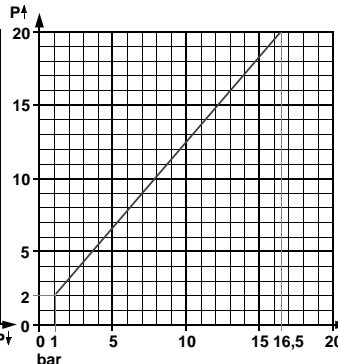
XMJ-A003, XMJ-A0037  
□ = 0,2 bar



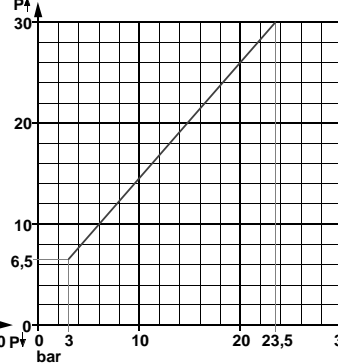
XMJ-A012, XMJ-A0127  
□ = 1 bar



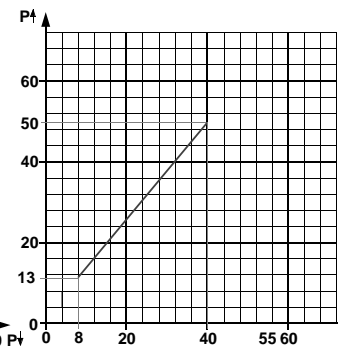
XMJ-A020, XMJ-A0207  
□ = 1 bar



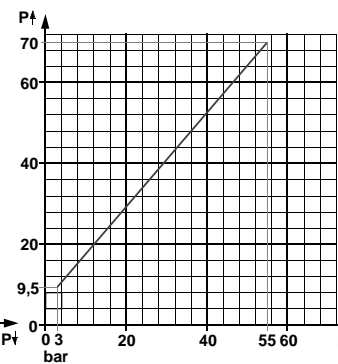
XMJ-A030, XMJ-A030●  
XMJ-A0307●  
□ = 2 bars



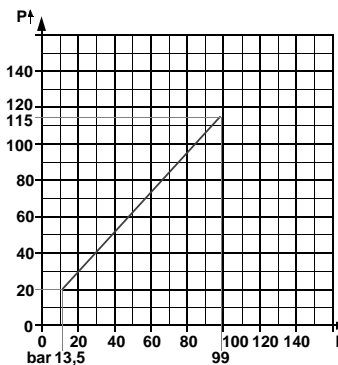
XMJ-A0503, XMJ-A05073  
□ = 4 bars



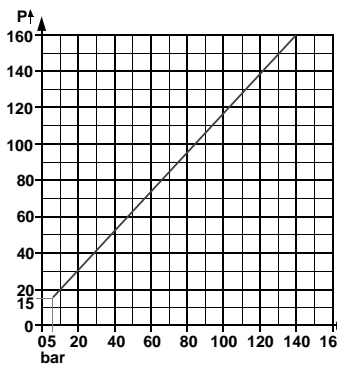
XMJ-A070, XMJ-A070●  
XMJ-A0707●  
□ = 4 bars



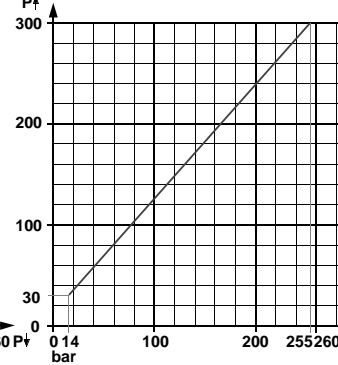
XMJ-A1153, XMJ-A11573  
□ = 10 bars



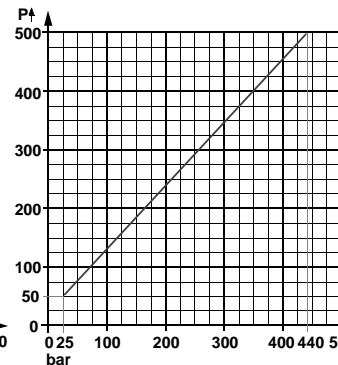
XMJ-A160●  
XMJ-A1607●  
□ = 10 bars



XMJ-A300, XMJ-A300●  
XMJ-A3007●  
□ = 20 bars



XMJ-A500, XMJ-A500●  
XMJ-A5007●  
□ = 25 bars



Vacuostats XMJ-A091, XMJ-A0915  
□ = 0,05 bar

