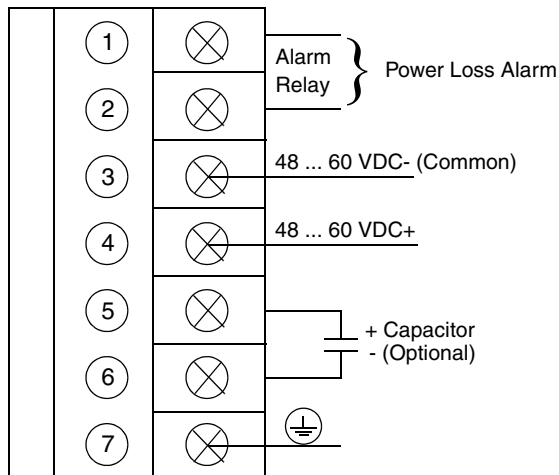

Modicon TSX Quantum

140 CPS 414 00 and 140 CPS 424 00

40 ... 60 VDC Power Supplies

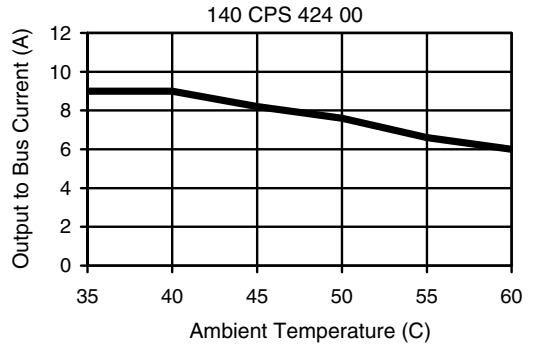
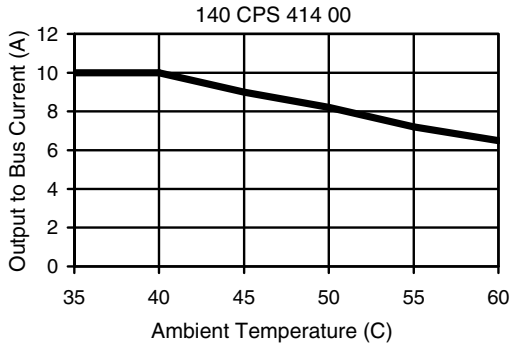
042706315.02

Output Rating	8 A (see the operating curve on the next page)
Input Voltage	48 ... 60 VDC
Fusing	2.0 A medium time lag recommended (Modicon #57-0089-000 or equivalent)
Connector	7-point terminal connector (Modicon #043503328)

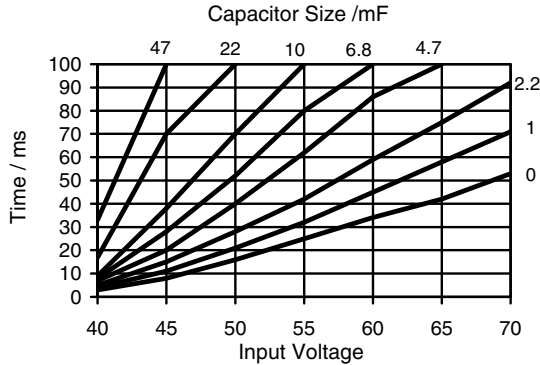


Note: A set of normally closed relay contacts rated at 220 VAC, 6A are available on 1 and 2 of the power terminal strip. This contact set may be used to signal input power off or a power supply failure.

Operating Curves for the 140 CPS 414 00 and 140 CPS 424 00



Hold-up Capacitor Timing Chart



Note: Tolerance to input interruptions may be increased by adding a ≥ 80 VDC electrolytic capacitor between 5 and 6 of the power terminal strip. Refer to the hold-up capacitor timing chart for capacitor values.

For complete information concerning this and other modules, please refer to the *Quantum Automation Series Hardware Reference Guide (840 USE 100 00)*.



Visit <http://www.schneider-electric.com> for your nearest Schneider Electric affiliate.

Printed in

June 2009