

# QO Loadcenter SPDs

## Square D Residential Surge Protective Devices

Square D™ brand QO™ loadcenter products feature compact and affordable Surge Protective Devices (SPDs). QO2175SB SPDs offer a simple means to bring down initial surges to manageable levels and can offer additional value in a cascaded SPD system.



by Schneider Electric

# QO Loadcenter SPDs Features

## Superior Performance

Square D brand SurgeLogic QO loadcenter SPDs utilize high-energy circuitry that provides surge suppression from severe transient activity. Each MOV is individually fused.

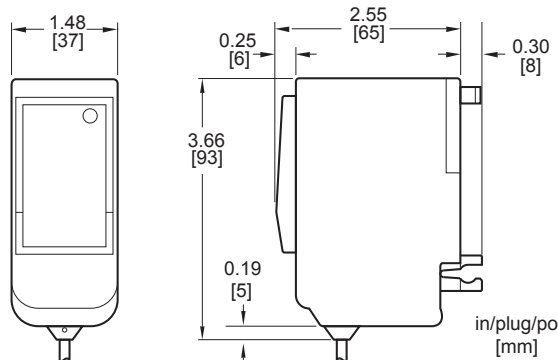
Directly connected to the equipment bus, the QO2175SB delivers superior surge suppression performance by providing the shortest lead lengths.

## Easy Installation

Quick plug-on device for use in a QO loadcenter or NQ panelboard. The SPD requires two adjacent mounting spaces.

## Warranty

The QO2175SB warranty is 3 years.



## QO2175SBSPDs



### Performance

Surge Current Rating per Phase	22.5kA
Short Circuit Current Rating	22kA
Modes of Protection	3
Fusing	Individually fused MOVs
Thermal Fusing	Yes
Overcurrent Fusing	Yes
Operating Frequency	50/60 Hz

### Mechanical Description

Enclosure	Plastic
NEMA Rating	Type 1
Connection Method	Quick Plug-on
Weight	0.54 lbs
Operating Altitude	Sea Level-12,000' (3,658 m)
Storage Temperature	-4° F (-20° C) to 149° F (65° C)
Operating Temp.	-4° F (-20° C) to 149° F (65° C)

### Diagnostics

Green status LED

### Listings and Performance

cULus Listed per UL 1449 3rd edition Type 2 SPD, CSA C22.2 No. 8-M1986, C233.1-87

Voltage	Surge Current per Phase	Modes of Protection	Configuration	Model Number	MCOV	SCCR	I <sub>n</sub>	VPR			
								L-N	L-G	L-L	N-G
120/240V	22.5kA	3	1 Ø, 3-wire	QO2175SB	150V L-N, 300V L-L	22kA	5kA	700V	N/A	1500V	N/A