

# XDSE

## Square D Hard Wired Surge Protective Device

Square D™ brand XDSE Surge Protective Devices (SPDs) are surge suppressors and noise filters in compact and robust packages.

The compact design of the XDSE allows surge suppression to be externally installed adjacent to electrical distribution equipment. XDSE systems are designed to provide high-quality surge suppression for a wide variety of commercial, industrial or institutional applications. Square D brand XDSE devices can be used in a network of surge suppression applications or as a stand-alone surge suppressor.



### XDSE Surge Protective Device Features

#### Superior Performance

XDSE SPDs utilize a high-energy parallel design that provides 10 modes of suppression from 100,000 to 200,000 peak Amps of surge current rating per phase. XDSE SPDs contain a suppression circuit that not only provides transient suppression, but also noise filtration.

Each MOV is individually fused and incorporates patented overvoltage technology innovations that provide superior overvoltage withstand capability for systems with unstable power, without compromising transient clamping performance.

These products carry a NEMA type 4X rating suitable for installing indoors, outdoors, or in other harsh environments.

#### Warranty

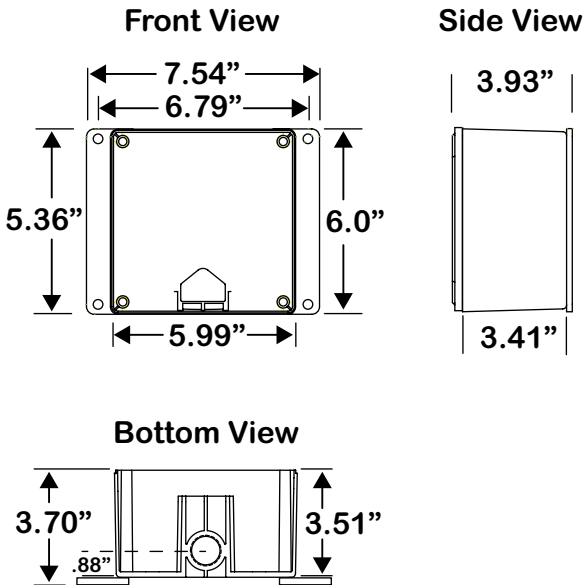
XDSE SPDs have a 10-year limited warranty

Features	Advantages	Benefits
NEMA 4X Rated	Allows installation in outdoor applications	Provides surge suppression to vulnerable equipment powered from weather-exposed panels
Overvoltage technology	Superior overvoltage withstand and surge suppression	Longer product life and increased tolerance to unstable power conditions
EMI/RFI Noise Rejection	Increased transient suppression	Improves surge suppression to the equipment
LED Status Indication	Allows visual indication of the suppressor's status	Provides immediate response if suppressor is damaged
Suppression Status Alarm	Allows multiple methods of alarm notification	Provides immediate notification through audible and visual indication if reduced suppression occurs
Coordinated Fuse Technology	Coordinated fusing allows disconnection methods for thermal and overcurrent events	Provides premium surge suppression while managing both thermal and overcurrent end-of-life events

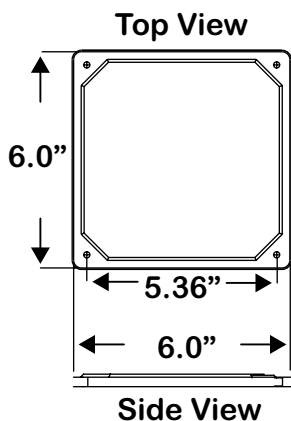
### Flexible Installation

- XDSE SPDs are wired into the panel through a lug connection inside the NEMA type 4X enclosure. This allows easy mounting near the circuit breaker in order to reduce lead lengths and improve surge suppression.
- XDSE SPDs can be surface or flush mount

### XDSE



### XDSEMKF



### Performance

Surge Current Rating per Phase	Up to 200kA
Short Circuit Current Rating	Up to 200kA
Modes of Protection	10
Fusing	Individually Fused & Thermally Protected MOVs
Thermal Fusing	Yes
Overcurrent Fusing	Yes
EMI/RFI Filtering	-50 dB
Sine Wave Tracking	Yes
Operating Frequency	50/60 Hz

### Mechanical Description

Dimensions	6" x 6" x 4"
Weight	4 lbs
Enclosure	Non-Metallic
NEMA Rating	NEMA 4X
Terminal Block Lug size	#8 - #10 AWG
Mounting Method	Circuit Type Parallel
Operating Altitude	Sea Level-12,000' (3,658 m)
Storage Temperature	-40° F to +140° F (-40° C to +60° C)
Operating Temperature	-15° F to +140° F (-25° C to +60° C)
Operating Humidity	0 to 95% non-condensing

### Listings and Performance

- Type 1: UL 1449 4<sup>th</sup> Edition, CSA 22.2 No. 269.1
- Type 2 (Opt.): UL 1449 4<sup>th</sup> Edition, CSA No. 269.2, UL 1283
- Complies with UL 96A 12th Ed. Master Label requirements for Lighting Protection Systems

Voltage	Surge Current per Phase	Modes of Protection	Configuration	Model Number	MCOV	I <sub>n</sub>	L-N	L-G	L-L	N-G
120/240V	100	6	1 Ø, 3-wire+G	SSP01XDSE10A( )	150V	20 kA	700V	700V	600V	1000V
208Y/120V <sup>1</sup>	100	10	3 Ø, Wye, 4-wire+G	SSP02XDSE10A( )	150V	20 kA	700V	700V	600V	1000V
240/120V HLD	100	10	3 Ø, HLD*, 4-wire+G	SSP03XDSE10A( )	150/320V	20 kA	700/1200V	700/1200V	600V	1000/2000V
480Y/277V <sup>2</sup>	100	10	3 Ø, Wye, 4-wire+G	SSP04XDSE10A( )	320V	20 kA	1200V	1200V	1200V	2000V
480V Delta <sup>3</sup>	100	6	3 Ø, Delta, 3-wire+G	SSP05XDSE10A( )	552V	20 kA	N/A	1800V	N/A	2000V
240V Delta	100	6	3 Ø, Delta, 3-wire+G	SSP06XDSE10A( )	300/320V	20 kA	N/A	320V	300V	N/A
600Y/347V	100	10	3 Ø, Wye, 4-wire+G	SSP08XDSE10A( )	420V	20 kA	1500V	1500V	1500V	2500V
600V Delta <sup>4</sup>	100	6	3 Ø, Delta, 3-wire+G	SSP09XDSE10A( )	690V	20 kA	N/A	2500V	2500V	N/A
120/240V	150	6	1 Ø, 3-wire+G	SSP01XDSE15A( )	150V	20 kA	700V	700V	600V	1000V
208Y/120V <sup>1</sup>	150	10	3 Ø, Wye, 4-wire+G	SSP02XDSE15A( )	150V	20 kA	700V	700V	600V	1000V
240/120V HLD	150	10	3 Ø, HLD*, 4-wire+G	SSP03XDSE15A( )	150/320V	20 kA	700/1200V	700/1200V	600V	1000/2000V
480Y/277V <sup>2</sup>	150	10	3 Ø, Wye, 4-wire+G	SSP04XDSE15A( )	320V	20 kA	1200V	1200V	1200V	2000V
480V Delta <sup>3</sup>	150	6	3 Ø, Delta, 3-wire+G	SSP05XDSE15A( )	552V	20 kA	N/A	1800V	N/A	2000V
240V Delta	150	6	3 Ø, Delta, 3-wire+G	SSP06XDSE15A( )	300/320V	20 kA	N/A	320V	300V	N/A
600Y/347V	150	10	3 Ø, Wye, 4-wire+G	SSP08XDSE15A( )	420V	20 kA	1500V	1500V	1500V	2500V
120/240V	200	6	1 Ø, 3-wire+G	SSP01XDSE20A( )	150V	20 kA	700V	700V	600V	1000V
208Y/120V <sup>1</sup>	200	10	3 Ø, Wye, 4-wire+G	SSP02XDSE20A( )	150V	20 kA	700V	700V	600V	1000V
240/120V HLD	200	10	3 Ø, HLD*, 4-wire+G	SSP03XDSE20A( )	150/320V	20 kA	700/1200V	700/1200V	600V	1000/2000V
480Y/277V <sup>2</sup>	200	10	3 Ø, Wye, 4-wire+G	SSP04XDSE20A( )	320V	20 kA	1200V	1200V	1200V	2000V
480V Delta <sup>3</sup>	200	6	3 Ø, Delta, 3-wire+G	SSP05XDSE20A( )	552V	20 kA	N/A	1800V	N/A	2000V
240V Delta	200	6	3 Ø, Delta, 3-wire+G	SSP06XDSE20A( )	300/320V	20 kA	N/A	320V	300V	N/A
600Y/347V	200	10	3 Ø, Wye, 4-wire+G	SSP08XDSE20A( )	420V	20 kA	1500V	1500V	1500V	2500V

1. 208Y/120 series also applies to the following voltage 220Y/127
2. 480Y/277 series also applies to the following voltages 380Y/220, 400Y/230, and 415Y/240
3. 480V Delta series also applies to the following voltage 480Y/277V HRG
4. 600V Delta series also applies to the following voltages 600Y/347V HRG

**Notes:**

1. Type 2 SPD with standard audible alarm and dry contacts
  2. ( ) For a Type 1 SPD, add a "1" suffix to the catalog number
- \*HLD = High-leg delta

**Accessories:**

1. XDSEMKF: flush mounting kit
2. TVS12RMU: remote monitor

Schneider Electric USA, Inc.

800 Federal Street  
Andover, MA 01810  
888 SQUARED (888-778-2733)

[www.schneider-electric.us](http://www.schneider-electric.us)

July 2018

Document Number 1300HO1804

Life Is On

