
Commercial Grade Wall Switch Occupancy Sensor

Dual Technology - Dual Circuit

Schneider Electric™ wall switch sensors provide the industry's simplest solution for occupancy-based on/off lighting control. The dual circuit Dual Technology Wall Switch Occupancy Sensor has two relays and two pushbuttons for controlling separate lighting loads. It satisfies code requirements for bi-level lighting and manual override.

This sensor detects occupancy across a 180° field of view. It uses passive infrared (PIR) and ultrasonic technologies, making it highly resistant to false on and off events. The line-of-sight PIR sensor provides initial occupancy detection. During occupancy the ultrasonic sensor is also activated to detect movement behind or around obstructions in the room.

Sensitivity, light-level threshold, and time-out delay can be set to best serve user preferences and energy-management goals. Other adjustable settings allow for manual on, auto on, or partial (such as 50%) auto on.

The Dual Technology Wall Switch Occupancy Sensor is offered in ground-operated and neutral-operated models. The neutral-operated model meets NEC 2011 Article 404.2C neutral requirements. The wall switch sensor is compatible with a wide range of lamp types, including LED, linear fluorescent, and compact fluorescent. It installs easily in a standard wall box and is available in a variety of colors. Matching lens and decorator wall plate are included.

> Applications

The Dual Technology Wall Switch Occupancy Sensor is a low-cost, effective energy saving device for new or retrofit applications such as:

- Large private offices
- Copier rooms/Mail rooms
- Small conference rooms
- Healthcare examination rooms

> Features

- Manual- and auto-on modes, selectable per load
- Lamp Saver load balancing for bi-level applications
- Adjustable PIR and ultrasonic sensitivity dials
- Adaptive time-out settings for convenience and energy savings
- Walk-through mode
- Automatic light-level setup
- Audible 10-second time-out alert
- LED motion detection indicator
- Two-button manual override
- Zero-crossing technology for long relay life
- Test mode for easy set-up

★ Visit www.schneider-electric.us

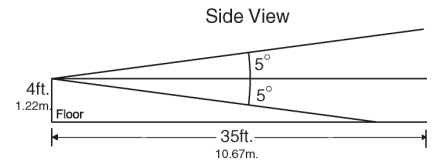
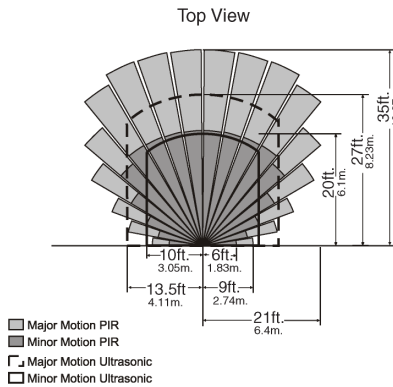
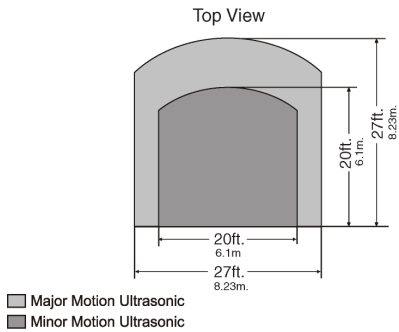


*Commercial Grade Wall Switch Occupancy Sensor
Dual Technology - Dual Circuit (SLSDWD1277)*

Make the most of your energy SM

Schneider
Electric™

> Location and Coverage Area



NOTE: Coverage area may vary depending upon the shape, size, and absorbent properties of the room

Ordering Information

Catalog Number	Description
SLSDWD1277CX*	Ground-operated, dual circuit, dual technology wall switch occupancy sensor
SLSDWD1277NX*	Neutral-operated, dual circuit, dual technology wall switch occupancy sensor
*X=colors available: W=white, I=ivory, G=gray, L=light almond, B=black	

Ordering Information – Accessories

Catalog Number	Description
SLSWP2DBX*	2 Gang cover plate (blank)
SLSWP2DTX*	2 Gang cover plate (toggle switch)
SLSBCX*	Buttonless adjustment access cover (package of five)
*X=colors available: W=white, I=ivory, G=gray, L=light almond, B=black	

Warranty: All Schneider Electric lighting control devices are backed by a five-year warranty and expert support by factory-trained lighting control specialists.

> Standards and Specifications

Standards	UL and cUL Listed FCC part 15 for Home and Office Use (Class B)
Specifications	
Input:	120 or 277Vac +/-10% 50/60Hz
Output:	120Vac - 1000W max. tungsten incandescent load - 1000VA max. ballast load - 1/4 hp max. motor load 277Vac - 1800 VA max. ballast load No minimum load required
Temperature:	32 to 122°F (0 to 50°C)
Humidity:	0% to 90% RH non-condensing
Time delay adjustment:	
Initial Minimum:	5, 10, 15, or 30 minutes
Walk through mode:	2 minutes if no activity is detected after 30 seconds
Test mode:	15 seconds
Auto Light Level Range:	0.5 to 250 footcandles (FC)
Detection:	180° passive infrared (PIR)
Audible alert:	Selectable
Service Switch:	OFF/Auto/ON
Manual operation:	Pushbutton ON/OFF
Lens:	Impact resistant
Ultrasonic Transducer:	40kHz
Relay switching:	0° +/- 500uS
Unit dimensions (H x W x D):	4.1 x 1.7 x 1.9in. (104 x 44 x 49mm)