

Daylighting Sensor 0-10V

The Ceiling-Mounted Daylighting Sensor provides control of ON, OFF, and 0 - 10V continuous dimming functions in accordance with the amount of natural light available in a space. The daylighting sensor is programmed using the built-in controls and LED display. An occupancy sensor can be connected to the daylighting sensor so that in addition to controlling lights based on light levels, lights can also be turned ON or OFF based on occupancy detection.

The daylighting sensor (SLSLL010) also has the ability to connect a low voltage switch to override the lighting on or off. An optional infrared remote control (SLSLLR) is available separately.



SLSLL010

> Features

- On and Off control with 0-10V dimming up to 25 ballast
- Optional Infrared (IR) remote control for easy configuration
- On board Light Level meter displays real time foot candles at the sensor
- Automatic or Manual Set-Point provides simple set up
- Manual entry mode for areas that require Manual On
- Hold occupancy mode dims lighting but doesn't turn off if occupancy is present
- Integrates with Schneider electric Occupancy sensor and Low Voltage Switches



Optional Daylighting Sensor
IR Control (SLSLLR)

> Ordering Information

Catalog number	Description
SLSLL010	0-10V Daylighting Sensor
SLSLLR	Optional Daylighting Sensor IR Remote Control

★ Visit www.schneider-electric.us

Make the most of your energy SM



> Dimensions

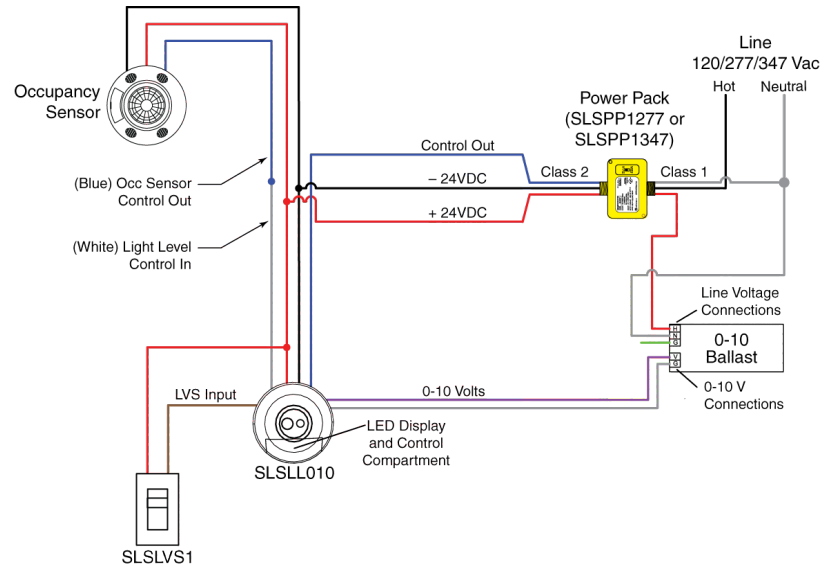
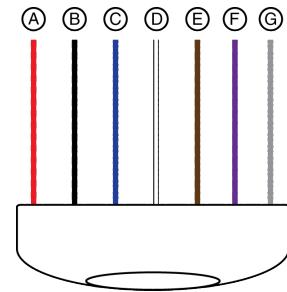
4.6 in. W. x 1.42 in. H.
(117mm W. x mm 36mm H.)

> Specifications and Standards

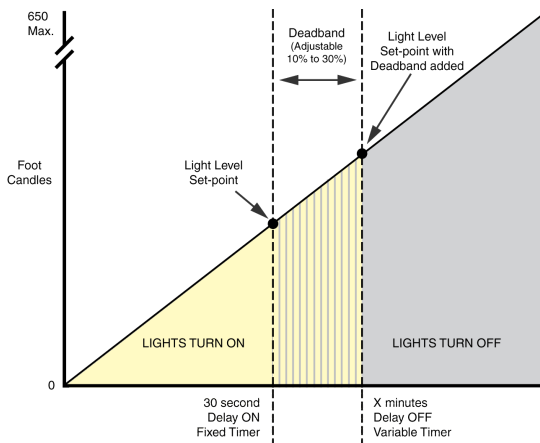
Set Point and Illumination Range	0 - 650 foot candles
Field of View	100° cone
Power Input	24VDC
Current consumption @ 24VDC	33mA
Occupancy Sensor Input	1
Low Voltage Switch Inputs	1
Dimming Control	0-10Vdc
Max No. of Ballasts Controlled	25 0-10V Ballast
Dimming Voltage Range	0.3Vdc to 10Vdc
Dimming Source Current	5 ma
Dimming Sync Current	50 ma
Conductors	7
Wire Gauge	22 AWG
Operating Temperature	32° to 122°F (0° to 50°C)
Humidity	0 to 90% RH non-condensing
Standards	UL and cUL Listed FCC Part 15, Standards for Home and Office Use (Class B)

> Wiring Diagrams

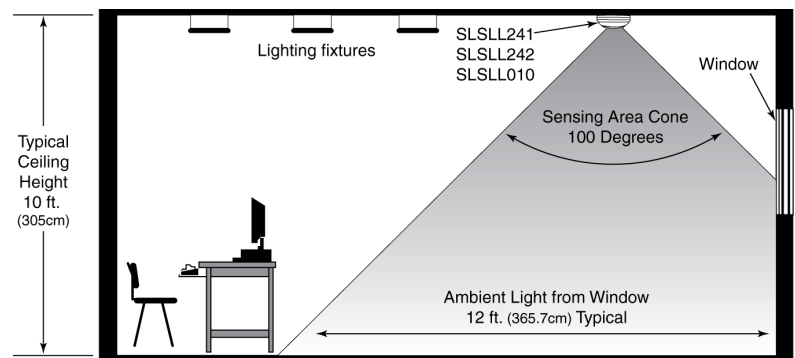
KEY:
 A. Red: +VDC
 B. Black: -VDC
 C. Blue: Control output
 D. White: Control input
 E. Brown: Low voltage switch input
 F. Violet: +0-10V*
 G. Gray: - 0-10V*
 *NOTE: Must be paired for 0-10V signal functionality.



> Operation



> Typical Sensor Coverage Area



Schneider Electric USA, Inc.
 320 Tech Park Drive, Suite 100
 La Vergne, TN, 37086
 1-888-778-2733
 www.schneider-electric.us

All trademarks are owned by Schneider Electric Industries SAS or its affiliated companies.

© 2012 Schneider Electric. All Rights Reserved.