



Wall-Mounted PIR Occupancy Sensor

Wall-Mounted Passive Infrared (PIR) Occupancy Sensor accurately detects occupancy and automatically switches lighting on and off as needed. This sensor is wall- or ceiling-mounted for superior motion detection.

The PIR Occupancy Sensor has three interchangeable lenses for custom coverage patterns. The Wide Angle lens has a 2500 square foot coverage area when the sensor is mounted 8 feet high, the Long Range lens has a 102 linear foot coverage area at 10 ft. high and the High Bay lens has a 54 linear foot coverage area at 30 ft. high. With a 110 degree field of view the Wall-Mounted PIR Occupancy Sensor is ideal for warehouse, business, and office settings.

Wall-mount sensors also incorporate an integral light level sensor to prevent lighting from switching On when sufficient ambient light is present, such as is commonly found in windowed areas.

Installation and configuration is simple. The sensor readily mounts to walls as well as drop ceilings and features front located adjustments for setting sensitivity and time delay. Features an isolated relay for use with building automation, security, and HVAC systems.

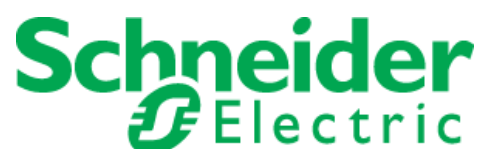
> Features

- Interchangeable lenses for custom coverage patterns
 - Wide Angle - 2500 sq. ft. @ 8 ft. mounting height
 - Long Range - 102 linear ft. @ 10 ft. mounting height
 - High Bay - 54 linear ft. @ 30 ft. mounting height
- 110 degree field of view
- Light Level Sensing (from 0.5 to 250 foot-candles)
- Adjustable Time Delay (pre-set time delays from 15 seconds to 30 minutes)
- Automatic adaptive technology adjusts the time delay for maximum energy savings.
- Adjustable Sensitivity (from 60 to 100%)
- Isolated Relay
- Red LED Motion Indicator
- Front located adjustment access cover
- UL[®]/cUL Listed

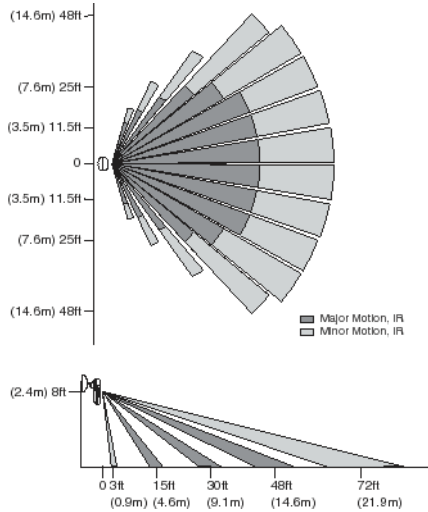


★ Visit www.schneider-electric.us

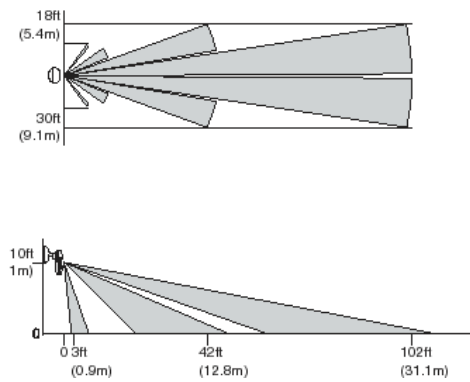
Make the most of your energy SM



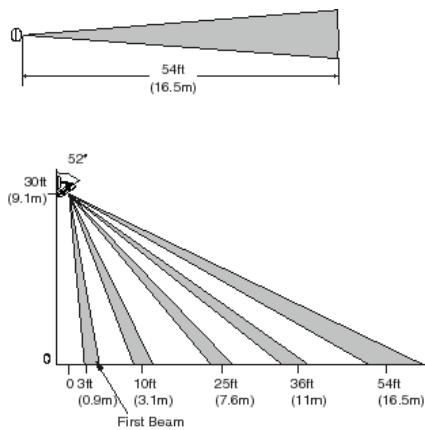
Wide Angle Lens Field of View (Top)



Long Range Lens Field of View (Top and Side)



High Bay Lens Field of View



> Specifications

Wall Mount PIR Occupancy Sensor	
Current Consumption @ 24Vdc*	21mA Nominal
Isolated Relay	1A @ 24 Vdc Resistive
Operating Temperature	32 - 122OF (0 - 50OC)
Maximum Humidity	90% RH Non-condensing
Standards	UL and cUL Listed FCC: Part 15, Home and Office Use Class B Title 24 Certified

* Control power must be provided by Schneider Electric Power Pack SLSP1277 or an approved equivalent.

> Order Information

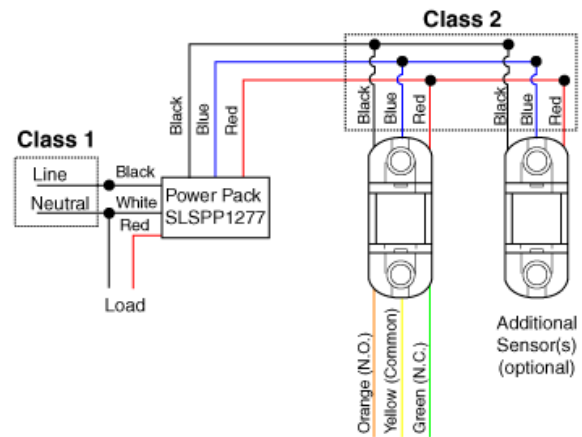
Description	Catalog Number
Wall-Mounted PIR Occupancy Sensor	SLSWPS1500
Power Pack (required)	SLSP1277
Auxiliary Relay	SLSP24

> Wiring Colors

Wire Color	Functions
Black	0Vdc
Red	+24Vdc
Green	Isolated Contact (N.C.)
Yellow	Isolated Contact Common
Orange	Isolated Contact (N.O.)
Blue	Control Output

*Confirm the sensor is connected to the Class 2 side of the Power Pack. Refer to the Schneider Electric Power Pack SLSP1277 Instruction Bulletin for additional information

Wiring Diagram



Schneider Electric USA, Inc.
320 Tech Park Drive, Suite 100
La Vergne, TN, 37086
1-888-778-2733
www.schneider-electric.us

Schneider Electric and logo and "Make the most of your energy" are trademarks or registered trademarks of Schneider Electric and/or its affiliates in the United States and/or other countries. Other trademarks used herein are the property of their respective owners.